



LMV331, LMV393, LMV339

General-purpose low voltage comparators

Features

- Supply operation from 2.7 to 5 V
- Low current consumption: 20 μ A
- Input common mode range includes ground
- Wide temperature range: -40°C to +85°C
- Low output saturation voltage
- Propagation delay: 200 ns
- Open drain output
- ESD tolerance: 2 kV HBM / 200 V MM
- SMD packages

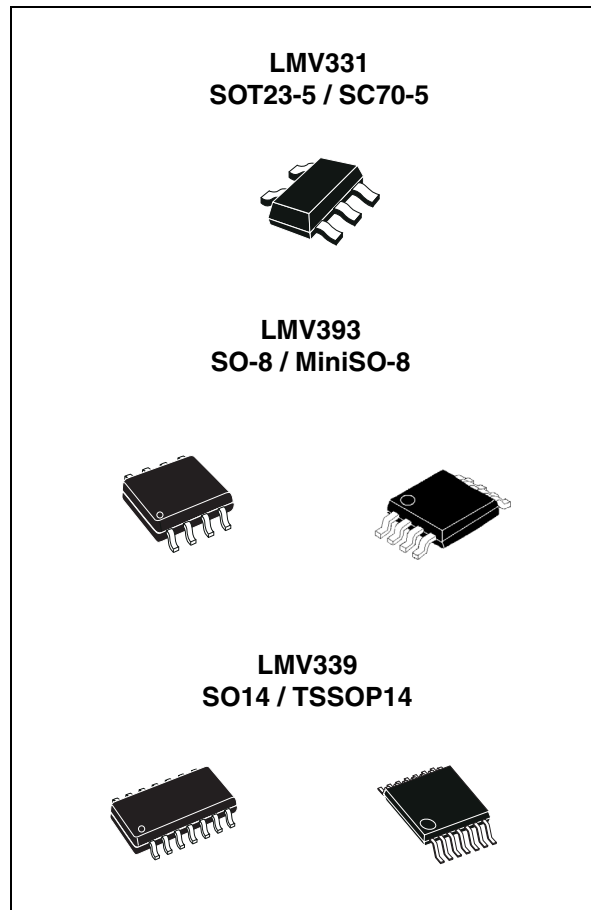
Applications

- Mobile phones
- Notebooks and PDAs
- Battery supplied electronics
- General-purpose portable devices
- General-purpose low voltage applications

Description

The LMV331, LMV393 and LMV339 are the single/dual/quad and low voltage versions of the industry standard LM339 and LM393. They can operate with a supply voltage ranging from 2.7 to 5 V, and exhibit a lower current consumption than their predecessors LM339 and LM393. These devices are a perfect choice for low-voltage applications.

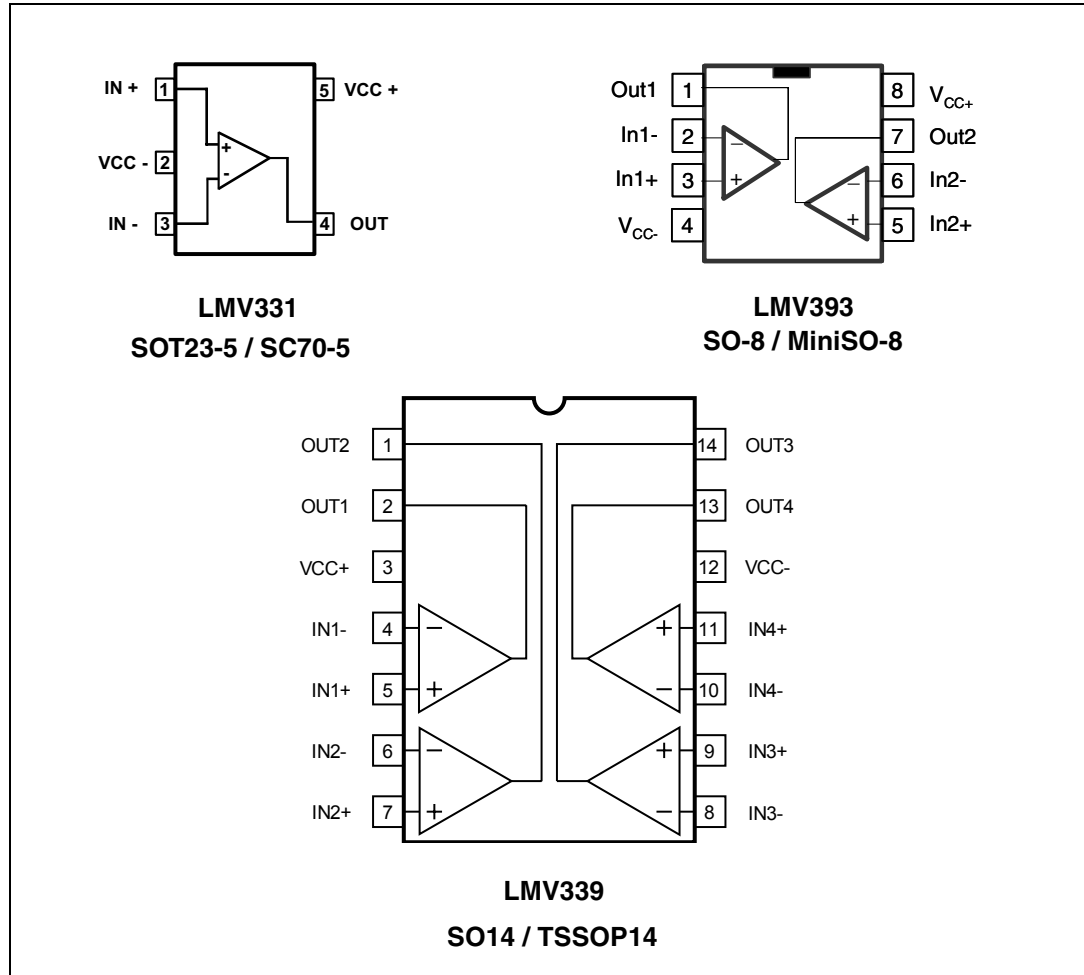
The LMV3xx are available in tiny packages, making them ideal for applications where space saving is a constraint.



The devices are designed to operate in the temperature range of -40°C to +85°C and are suitable for a variety of applications.

1 Package pin connections

Figure 1. Pin connections for each package (top view)



2 Absolute maximum ratings and operating conditions

Table 1. Absolute maximum ratings

Symbol	Parameter	Value	Unit
V_{CC}	Supply voltage ⁽¹⁾	5.5	V
V_{ID}	Differential input voltage	± 5.5	V
V_{IN}	Input voltage range	$(V_{CC-}) - 0.3$ to $(V_{CC+}) + 0.3$	V
V_{out}	Output voltage ⁽¹⁾	5.5	V
R_{thja}	Thermal resistance junction to ambient ⁽²⁾		°C/W
	SC70-5	205	
	SOT23-5	250	
	SO-8	125	
	MiniSO-8	190	
	SO14	105	
R_{thjc}	Thermal resistance junction to case ⁽²⁾		°C/W
	SC70-5	172	
	SOT23-5	81	
	SO-8	40	
	MiniSO-8	39	
	SO14	31	
T_{stg}	Storage temperature	-65 to +150	°C
T_j	Junction temperature	150	°C
T_{LEAD}	Lead temperature (soldering 10 seconds)	260	°C
ESD	Human body model (HBM) ⁽³⁾	2000	V
	Machine model (MM) ⁽⁴⁾	200	
	Charged device model (CDM) ⁽⁵⁾	1500	
	Latch-up immunity	200	mA

1. All voltage values, except the differential voltage, are referenced to V_{CC-} .
2. Short-circuits can cause excessive heating. These values are typical.
3. Human body model: a 100 pF capacitor is charged to the specified voltage, then discharged through a 1.5 k Ω resistor between two pins of the device. This is done for all couples of connected pin combinations while the other pins are floating.
4. Machine model: a 200 pF capacitor is charged to the specified voltage, then discharged directly between two pins of the device with no external series resistor (internal resistor < 5 Ω). This is done for all couples of connected pin combinations while the other pins are floating.
5. Charged device model: all pins and package are charged together to the specified voltage and then discharged directly to ground through only one pin. This is done for all pins.

Table 2. Operating conditions

Symbol	Parameter	Value	Unit
T_{oper}	Operating temperature range	-40 to +85	°C
V_{CC}	Supply voltage -40°C < T_{amb} < +85°C	2.7 to 5.0	V

3 Electrical characteristics

Table 3. $V_{CC}^+ = +2.7\text{ V}$, $V_{CC}^- = 0\text{ V}$, $T_{amb} = +25^\circ\text{ C}$, full V_{ICM} range (unless otherwise specified)⁽¹⁾

Symbol	Parameter	Test conditions	Min.	Typ.	Max.	Unit
V_{IO}	Input offset voltage			1	7	mV
ΔV_{IO}	Input offset voltage drift	$-40^\circ\text{C} < T_{amb} < +85^\circ\text{C}$		5		$\mu\text{V}/^\circ\text{C}$
I_{IB}	Input bias current ⁽²⁾	$-40^\circ\text{C} < T_{amb} < +85^\circ\text{C}$		25	250 400	nA
I_{IO}	Input offset current ⁽²⁾	$-40^\circ\text{C} < T_{amb} < +85^\circ\text{C}$		1	50 150	nA
V_{ICM}	Common mode input voltage			-0.1 2.0		V
V_{OL}	Output voltage low	$I_{SINK} = 1\text{ mA}$		20		mV
I_{SINK}	Output sink current	$V_{OUT} = 1.5\text{ V}$	5	47		mA
I_{CC}	Supply current	No load, output high, $V_{ICM} = 0\text{ V}$		20	100	μA
I_{OH}	Output current leakage	$-40^\circ\text{C} < T_{amb} < +85^\circ\text{C}$		0.003	1	μA
TP_{HL}	Propagation delay High to low output level	$V_{ICM} = 0\text{ V}$, $R_L = 5.1\text{ k}\Omega$, $C_L = 50\text{ pF}$ Overdrive = 10 mV Overdrive = 100 mV		300 200		ns
TP_{LH}	Propagation delay Low to high output level	$V_{ICM} = 0\text{ V}$, $R_L = 5.1\text{ k}\Omega$, $C_L = 50\text{ pF}$ Overdrive = 10 mV Overdrive = 100 mV		550 400		ns

1. All values over the temperature range are guaranteed through correlation and simulation. No production tests have been performed at the temperature range limits.
2. Maximum values include unavoidable inaccuracies of the industrial tests.

Table 4. $V_{CC}^+ = +5\text{ V}$, $V_{CC}^- = 0\text{ V}$, $T_{amb} = +25^\circ\text{C}$, full V_{ICM} range (unless otherwise specified)⁽¹⁾

Symbol	Parameter	Test conditions	Min.	Typ.	Max.	Unit
V_{IO}	Input offset voltage	$-40^\circ\text{C} < T_{amb} < +85^\circ\text{C}$		1	7 9	mV
ΔV_{IO}	Input offset voltage drift	$-40^\circ\text{C} < T_{amb} < +85^\circ\text{C}$		5		$\mu\text{V}/^\circ\text{C}$
I_{IB}	Input bias current ⁽²⁾	$-40^\circ\text{C} < T_{amb} < +85^\circ\text{C}$		25	250 400	nA
I_{IO}	Input offset current ⁽²⁾	$-40^\circ\text{C} < T_{amb} < +85^\circ\text{C}$		2	50 150	nA
V_{ICM}	Common mode input voltage			-0.1		V
				4.2		
A_V	Voltage gain		20	50		V/mV
V_{OL}	Output voltage low	$I_{SINK} < 4\text{ mA}$ $-40^\circ\text{C} < T_{amb} < +85^\circ\text{C}$		50	400 700	mV
I_{SINK}	Output sink current	$V_{OUT} < 1.5\text{ V}$	10	93		mA
I_{CC}	Supply current	No load, output high, $V_{ICM} = 0\text{ V}$ $-40^\circ\text{C} < T_{amb} < +85^\circ\text{C}$		25	120 150	μA
I_{OH}	Output current leakage	$-40^\circ\text{C} < T_{amb} < +85^\circ\text{C}$		0.003	1	μA
TP_{HL}	Propagation delay High to low output level	$V_{ICM} = 0\text{ V}$, $R_L = 5.1\text{ k}\Omega$, $C_L = 50\text{ pF}$ Overdrive = 10 mV Overdrive = 100 mV		375		ns
				275		
TP_{LH}	Propagation delay Low to high output level	$V_{ICM} = 0\text{ V}$, $R_L = 5.1\text{ k}\Omega$, $C_L = 50\text{ pF}$ Overdrive = 10 mV Overdrive = 100 mV		550		ns
				425		

1. All values over the temperature range are guaranteed through correlation and simulation. No production tests have been performed at the temperature range limits.
2. Maximum values include unavoidable inaccuracies of the industrial tests.

Figure 2. Supply current versus supply voltage with output high

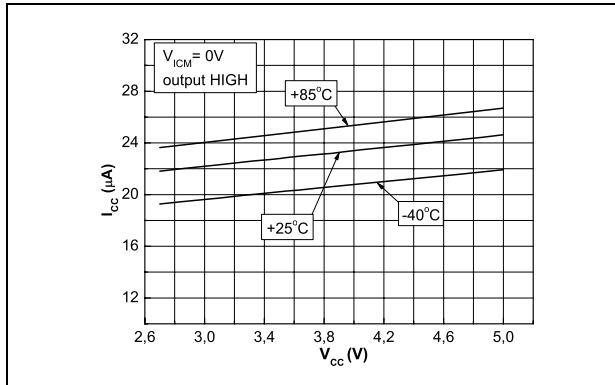


Figure 3. Supply current versus supply voltage with output low

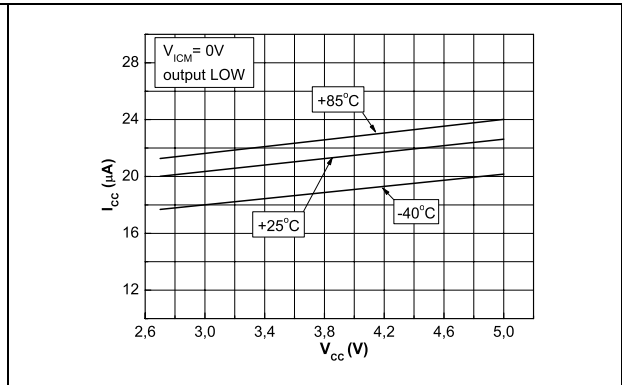


Figure 4. Output voltage versus output current at 5 V supply

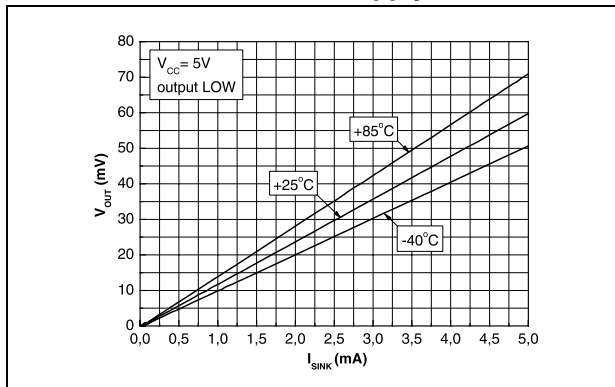


Figure 5. Output voltage versus output current at 2.7 V supply

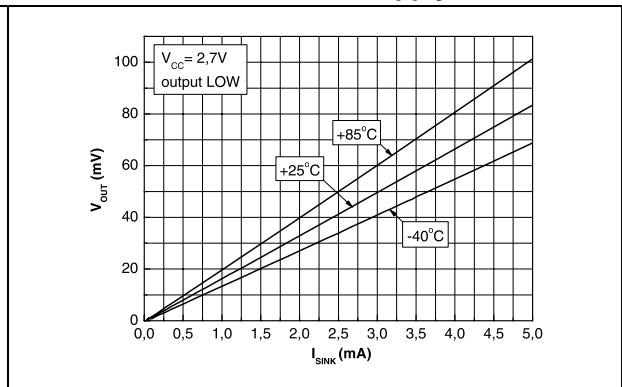


Figure 6. Input bias current versus supply voltage

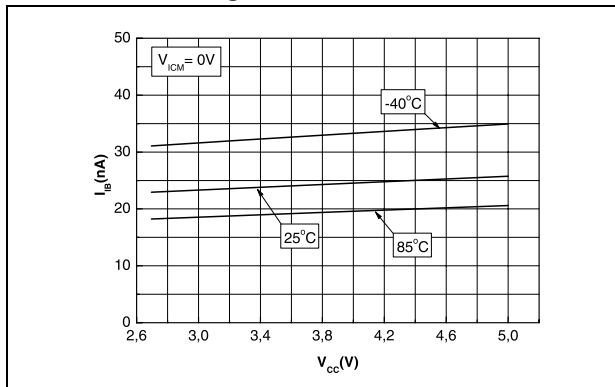


Figure 7. Response time versus overdrive with negative transition, V_{CC} = 5 V

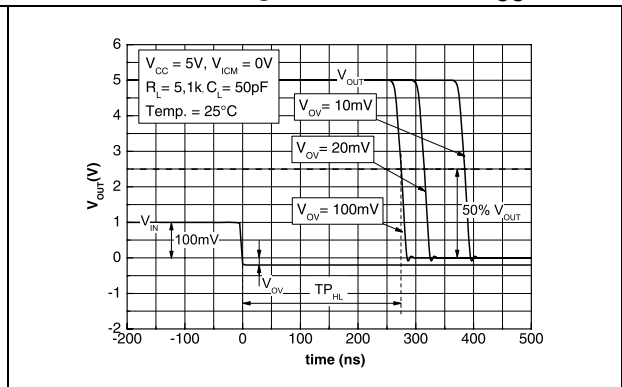


Figure 8. Response time versus overdrive with positive transition, $V_{CC} = 5\text{ V}$

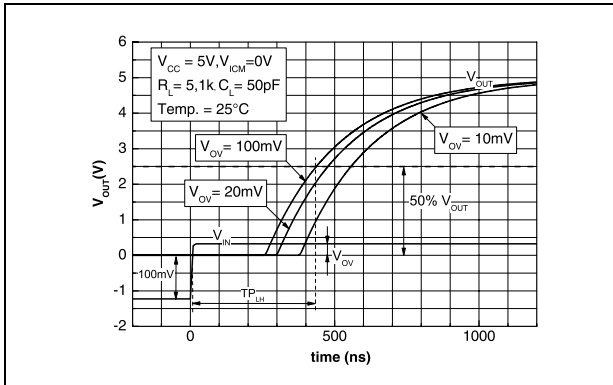


Figure 9. Response time versus overdrive with negative transition, $V_{CC} = 2.7\text{ V}$

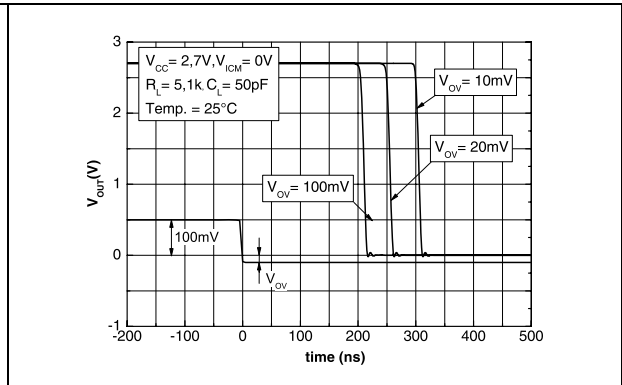
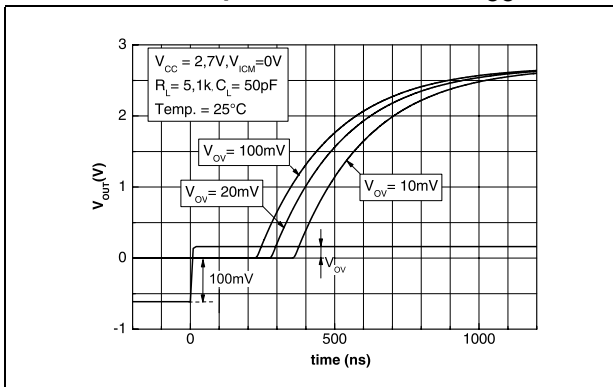


Figure 10. Response time versus overdrive with positive transition, $V_{CC} = 2.7\text{ V}$



4 Package information

In order to meet environmental requirements, ST offers these devices in different grades of ECOPACK[®] packages, depending on their level of environmental compliance. ECOPACK[®] specifications, grade definitions and product status are available at: www.st.com. ECOPACK[®] is an ST trademark.

4.1 SOT23-5 package

Figure 11. SOT23-5 package mechanical drawing

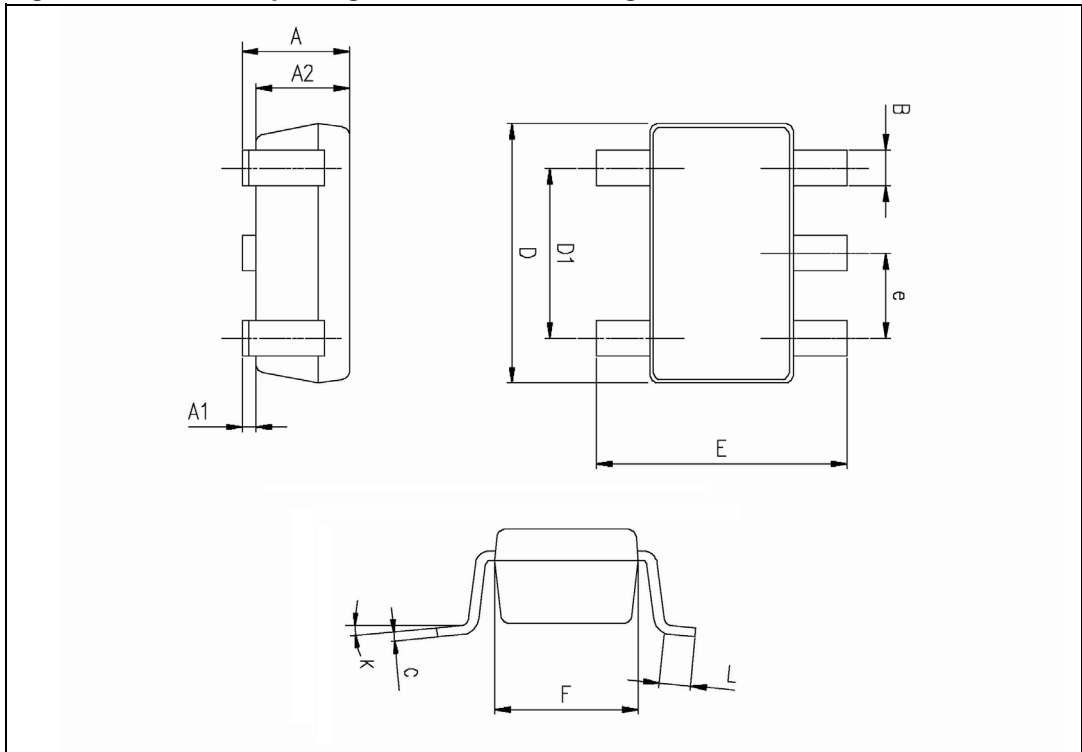


Table 5. SOT23-5 package mechanical data

Ref.	Dimensions					
	Millimeters			Inches		
	Min.	Typ.	Max.	Min.	Typ.	Max.
A	0.90	1.20	1.45	0.035	0.047	0.057
A1			0.15			0.006
A2	0.90	1.05	1.30	0.035	0.041	0.051
B	0.35	0.40	0.50	0.013	0.015	0.019
C	0.09	0.15	0.20	0.003	0.006	0.008
D	2.80	2.90	3.00	0.110	0.114	0.118
D1		1.90			0.075	
e		0.95			0.037	
E	2.60	2.80	3.00	0.102	0.110	0.118
F	1.50	1.60	1.75	0.059	0.063	0.069
L	0.10	0.35	0.60	0.004	0.013	0.023
K	0 degrees		10 degrees			

4.2 SC70-5 (SOT323-5) package

Figure 12. SC70-5 (SOT323-5) package mechanical drawing

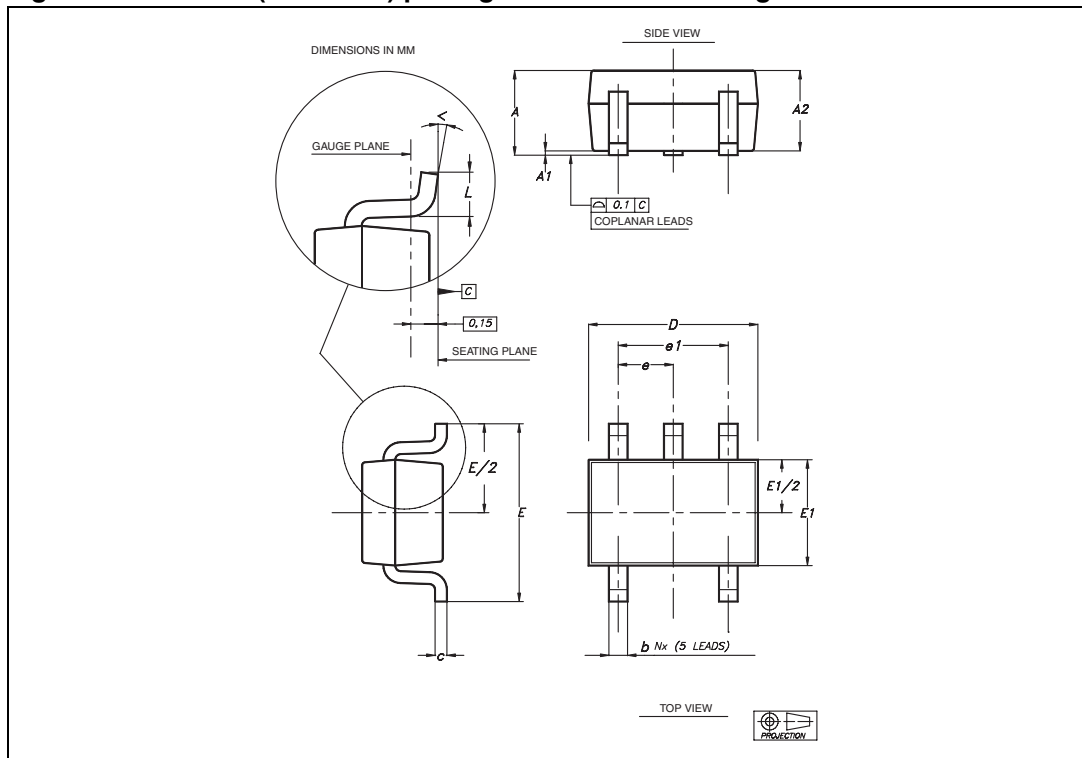


Table 6. SC70-5 (or SOT323-5) package mechanical data

Ref	Dimensions					
	Millimeters			Inches		
	Min	Typ	Max	Min	Typ	Max
A	0.80		1.10	0.315		0.043
A1			0.10			0.004
A2	0.80	0.90	1.00	0.315	0.035	0.039
b	0.15		0.30	0.006		0.012
c	0.10		0.22	0.004		0.009
D	1.80	2.00	2.20	0.071	0.079	0.087
E	1.80	2.10	2.40	0.071	0.083	0.094
E1	1.15	1.25	1.35	0.045	0.049	0.053
e		0.65			0.025	
e1		1.30			0.051	
L	0.26	0.36	0.46	0.010	0.014	0.018
α	0°		8°			

4.3 SO-8 package information

Figure 13. SO-8 package mechanical drawing

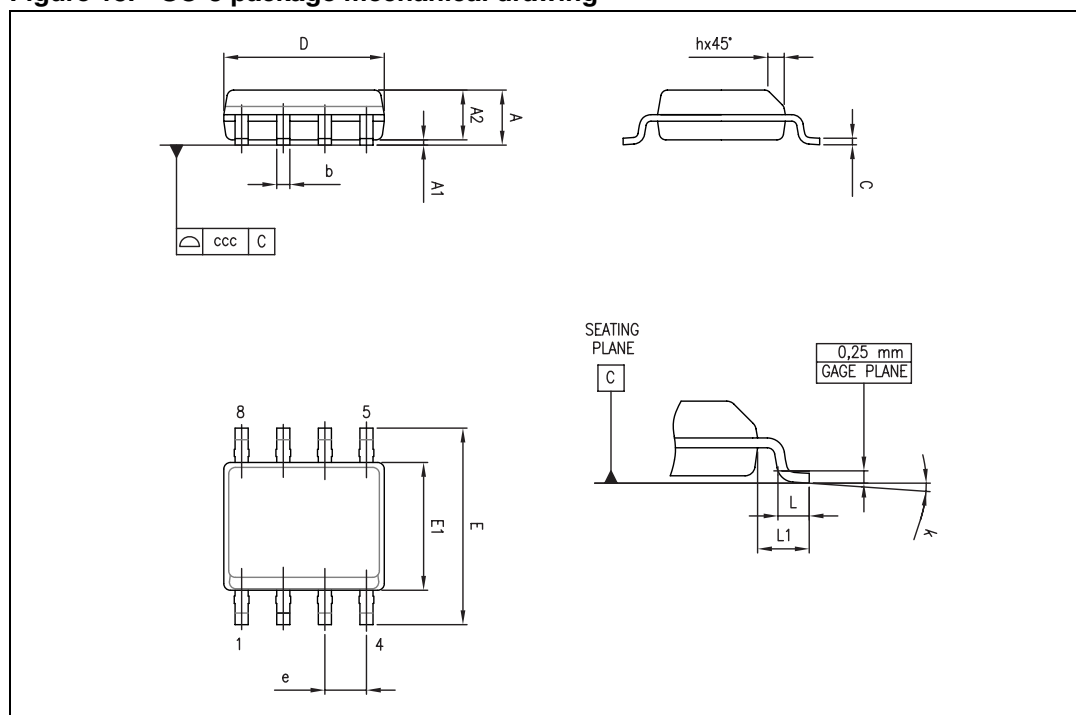


Table 7. SO-8 package mechanical data

Ref.	Dimensions					
	Millimeters			Inches		
	Min.	Typ.	Max.	Min.	Typ.	Max.
A			1.75			0.069
A1	0.10		0.25	0.004		0.010
A2	1.25			0.049		
b	0.28		0.48	0.011		0.019
c	0.17		0.23	0.007		0.010
D	4.80	4.90	5.00	0.189	0.193	0.197
E	5.80	6.00	6.20	0.228	0.236	0.244
E1	3.80	3.90	4.00	0.150	0.154	0.157
e		1.27			0.050	
h	0.25		0.50	0.010		0.020
L	0.40		1.27	0.016		0.050
L1		1.04			0.040	
k	0		8°	1°		8°
ccc			0.10			0.004

4.4 MiniSO-8 package information

Figure 14. MiniSO-8 package mechanical drawing

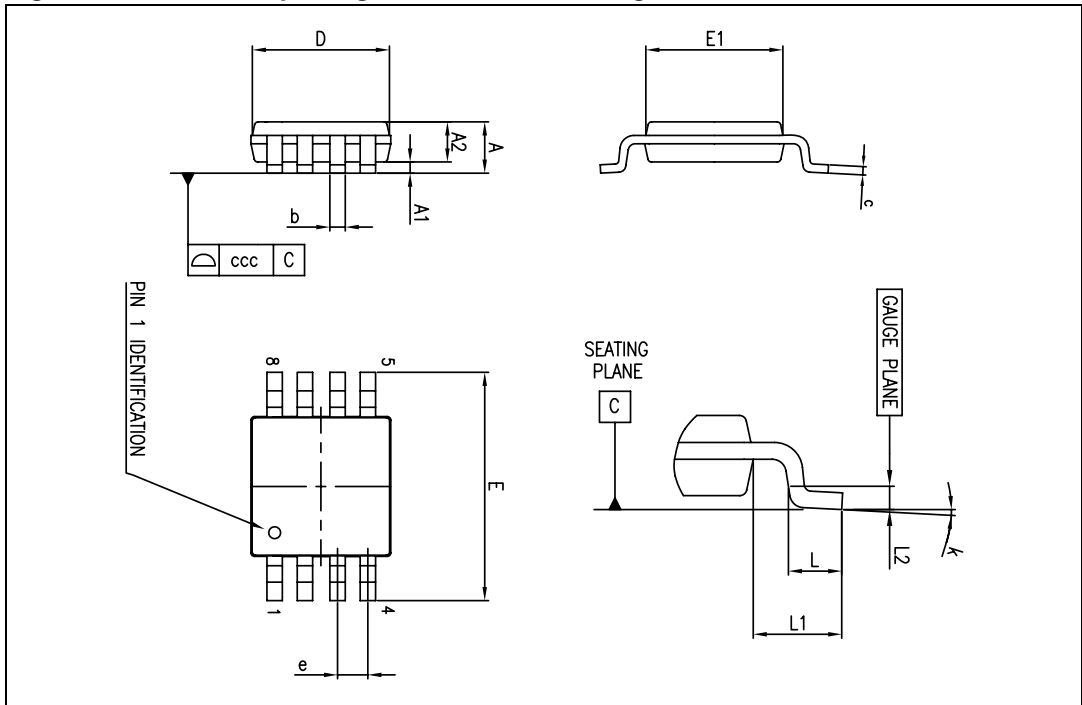


Table 8. MiniSO-8 package mechanical data

Ref.	Dimensions					
	Millimeters			Inches		
	Min.	Typ.	Max.	Min.	Typ.	Max.
A			1.1			0.043
A1	0		0.15	0		0.006
A2	0.75	0.85	0.95	0.030	0.033	0.037
b	0.22		0.40	0.009		0.016
c	0.08		0.23	0.003		0.009
D	2.80	3.00	3.20	0.11	0.118	0.126
E	4.65	4.90	5.15	0.183	0.193	0.203
E1	2.80	3.00	3.10	0.11	0.118	0.122
e		0.65			0.026	
L	0.40	0.60	0.80	0.016	0.024	0.031
L1		0.95			0.037	
L2		0.25			0.010	
k	0°		8°	0°		8°
ccc			0.10			0.004

4.5 SO-14 package information

Figure 15. SO-14 package mechanical drawing

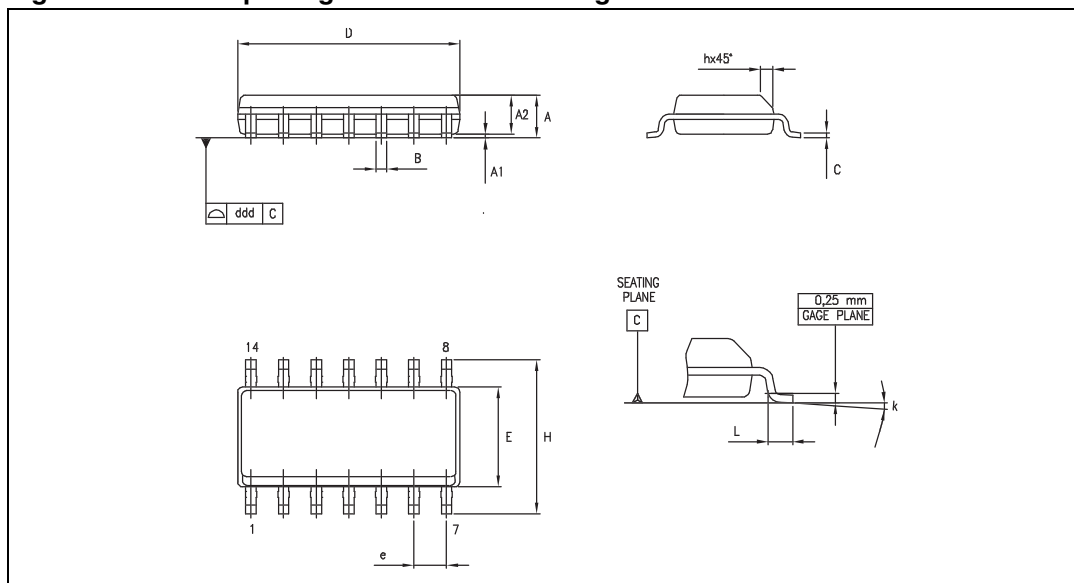


Table 9. SO-14 package mechanical data

Dimensions						
Ref.	Millimeters			Inches		
	Min.	Typ.	Max.	Min.	Typ.	Max.
A	1.35		1.75	0.05		0.068
A1	0.10		0.25	0.004		0.009
A2	1.10		1.65	0.04		0.06
B	0.33		0.51	0.01		0.02
C	0.19		0.25	0.007		0.009
D	8.55		8.75	0.33		0.34
E	3.80		4.0	0.15		0.15
e		1.27			0.05	
H	5.80		6.20	0.22		0.24
h	0.25		0.50	0.009		0.02
L	0.40		1.27	0.015		0.05
k	8° (max.)					
ddd			0.10			0.004

4.6 TSSOP14 package information

Figure 16. TSSOP14 package mechanical drawing

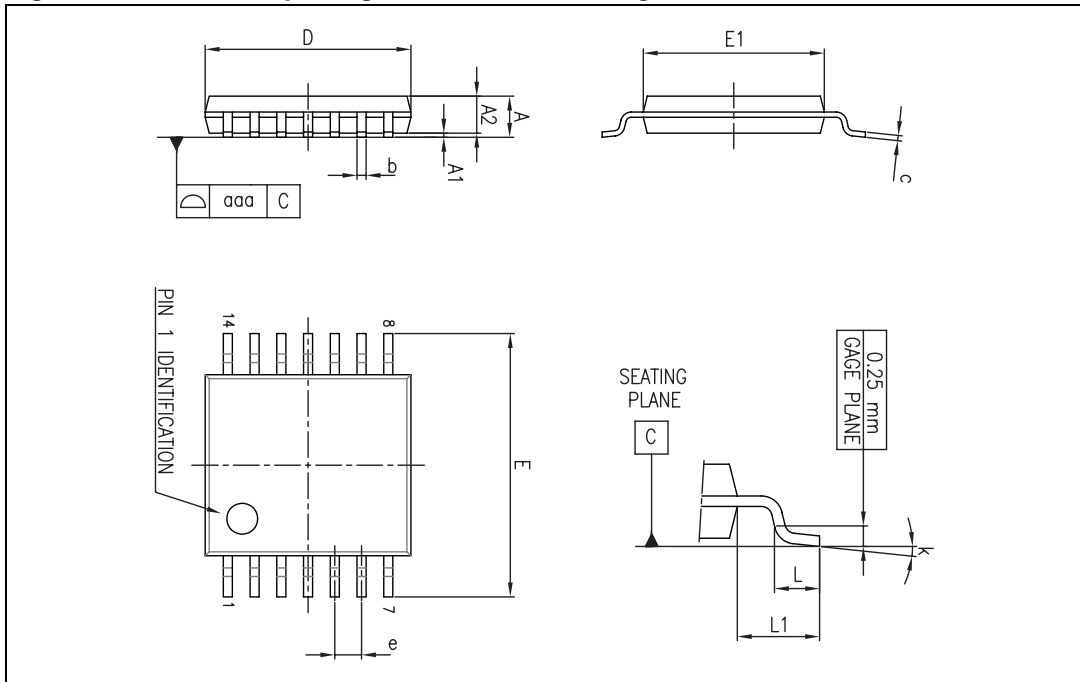


Table 10. TSSOP14 package mechanical data

Ref.	Dimensions					
	Millimeters			Inches		
	Min.	Typ.	Max.	Min.	Typ.	Max.
A			1.20			0.047
A1	0.05		0.15	0.002	0.004	0.006
A2	0.80	1.00	1.05	0.031	0.039	0.041
b	0.19		0.30	0.007		0.012
c	0.09		0.20	0.004		0.0089
D	4.90	5.00	5.10	0.193	0.197	0.201
E	6.20	6.40	6.60	0.244	0.252	0.260
E1	4.30	4.40	4.50	0.169	0.173	0.176
e		0.65			0.0256	
L	0.45	0.60	0.75	0.018	0.024	0.030
L1		1.00			0.039	
k	0°		8°	0°		8°
aaa			0.10			0.004

5 Ordering information

Table 11. Order codes

Part number	Temperature range	Package	Packaging	Marking
LMV331ILT	-40°C, +85°C	SOT23-5	Tape & reel	K503
LMV331ICT		SC70-5		K50
LMV393IDT		SO-8		393I
LMV393IST		MiniSO-8		K508
LMV339IDT		SO14		339I
LMV339IPT		TSSOP14		339I

6 Revision history

Table 12. Document revision history

Date	Revision	Changes
08-Dec-2009	1	Initial release.
03-May-2010	2	Corrected I _{cc} unit in Figure 2 and Figure 3 .
12-Dec-2011	3	<ul style="list-style-type: none">– Added LMV393 and LMV339 devices to the datasheet.– Added V_{out} parameter in Table 1: Absolute maximum ratings.– Removed note "The magnitude of input and output voltages must never exceed the supply rail ±0.3 V." from Table 1.