

I. Electric Performance

Gas tube 90V 、 230V 、 350V

II. Material and plating :

Housing Brass / Spring copper Plating White Bronze2um / Ag5um  
 O-ring Silicon rubber

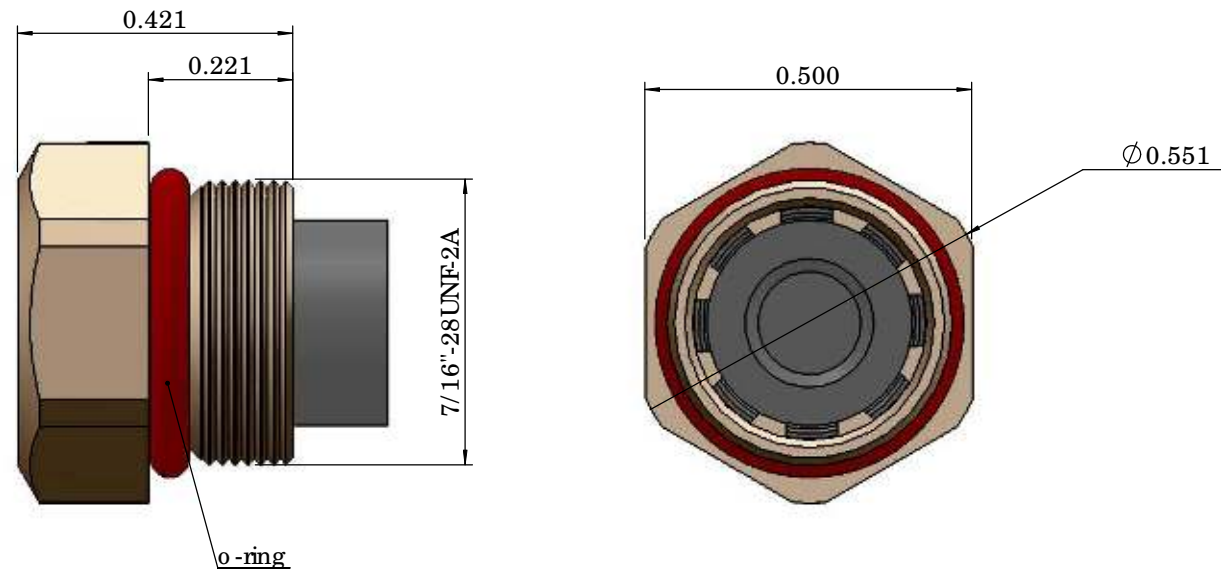
III. Mechanical Performance & Environment

Screw torque 53.1 in-lbs  
 Temp.range -40°C~+85°C  
 Weather standard IEC 60068 40 / 085/ 21  
 ROHS compliant

Gas tube	Times P/N
90V	IP-GTD
230V	IP-GTD-23
350V	IP-GTD-35

Description  
 Gas tube replacement kit

Sheet 1/1	Metric inch
--------------	----------------



I、 Electric Performance

Gas tube 90V 、 230V 、 350V

II、 Material and plating :

Housing Brass / Spring copper Plating White Bronze2um / Ag5um  
 O-ring Silicon rubber

III、 Mechanical Performance & Environment

Screw torque 53.1 in-lbs  
 Temp.range -40°C~+85°C  
 Weather standard IEC 60068 40 / 085/ 21  
 ROHS compliant

Gas tube	Times P/N
90V	IP-GT
230V	IP-GT23
350V	IP-GT35

De s c r i p t i o n

Gas tube replacement kit

She e t 1/1	Me tric inc h
----------------	------------------