

Series: NMO mount
Low Profile

Description: LP, 740-960MHz, 3.7dBi, NMO

PART NUMBER: LP78NMO, LP78NMOW (White)



Features:

- 740-960MHz
- Omni radiation pattern
- Average peak gain 3.7 dBi
- Power rating 100W
- Size Dia. 113.2mm (4.46")
- Height 32mm (1.26")
- NMO mount

Applications:

- Public Safety
- FirstNet Band14 Compliant
- LMR
- Transportation
- Vehicular applications

Issue: 1737

In the effort to improve our products, we reserve the right to make changes judged to be necessary.

CONFIDENTIAL AND PROPRIETARY INFORMATION

This document contains confidential and proprietary information of Pulse Electronics, Inc. (Pulse) and is protected by copyright, trade secret and other state and federal laws. Its receipt or possession does not convey any rights to reproduce, disclose its contents, or to manufacture, use or sell anything it may describe. Reproduction, disclosure or use without specific written authorization of Pulse is strictly forbidden.

For more information:

Pulse Worldwide Headquarters
15255 Innovation Drive #100
San Diego, CA 92128
USA
Tel: 1-858-674-8100

Pulse/Larsen Antennas
18110 SE 34th St Bldg 2 Suite 250
Vancouver, WA 98683
USA
Tel: 1-360-944-7551

Europe Headquarters
Pulse GmbH & Do, KG
Zeppelinstrasse 15
Herrenberg, Germany
Tel: 49 7032 7806 0

Pulse (Suzhou) Wireless Products Co, Inc.
99 Huo Ju Road(#29 Bldg,4th Phase
Suzhou New District
Jiangsu Province, Suzhou 215009 PR China
Tel: 86 512 6807 9998



Description: : LP, 740-960MHz, 3.7dBi, NMO

Series: NMO mount
Low Profile

PART NUMBER: LP78NMO, LP78NMOW (White)

ELECTRICAL SPECIFICATIONS

Antenna type	Monopole, Measured on Ø1.02m (40") ground plane
Frequency	740-960 MHz
Nominal Impedance	50 Ω
VSWR	2:1
Average peak gain	3.7 dBi
Average efficiency	75 %
Radiation Pattern	Omni
HPBW / Vertical Plane	37 °
Polarization	Vertical
Power withstanding	100 W

MECHANICAL SPECIFICATIONS

Diameter / height	113.2 / 35.2mm (4.46" / 1.26")
Weight	153 g (.34lbs)
Antenna Color / Material	Black (W) White / Makroblend®
Connector type	NMO

ENVIRONMENTAL SPECIFICATIONS

Operating Temperature	-40° to +70° C
Ingress Protection	IP65
RoHS Compliant	Yes

OTHER SPECIFICATIONS

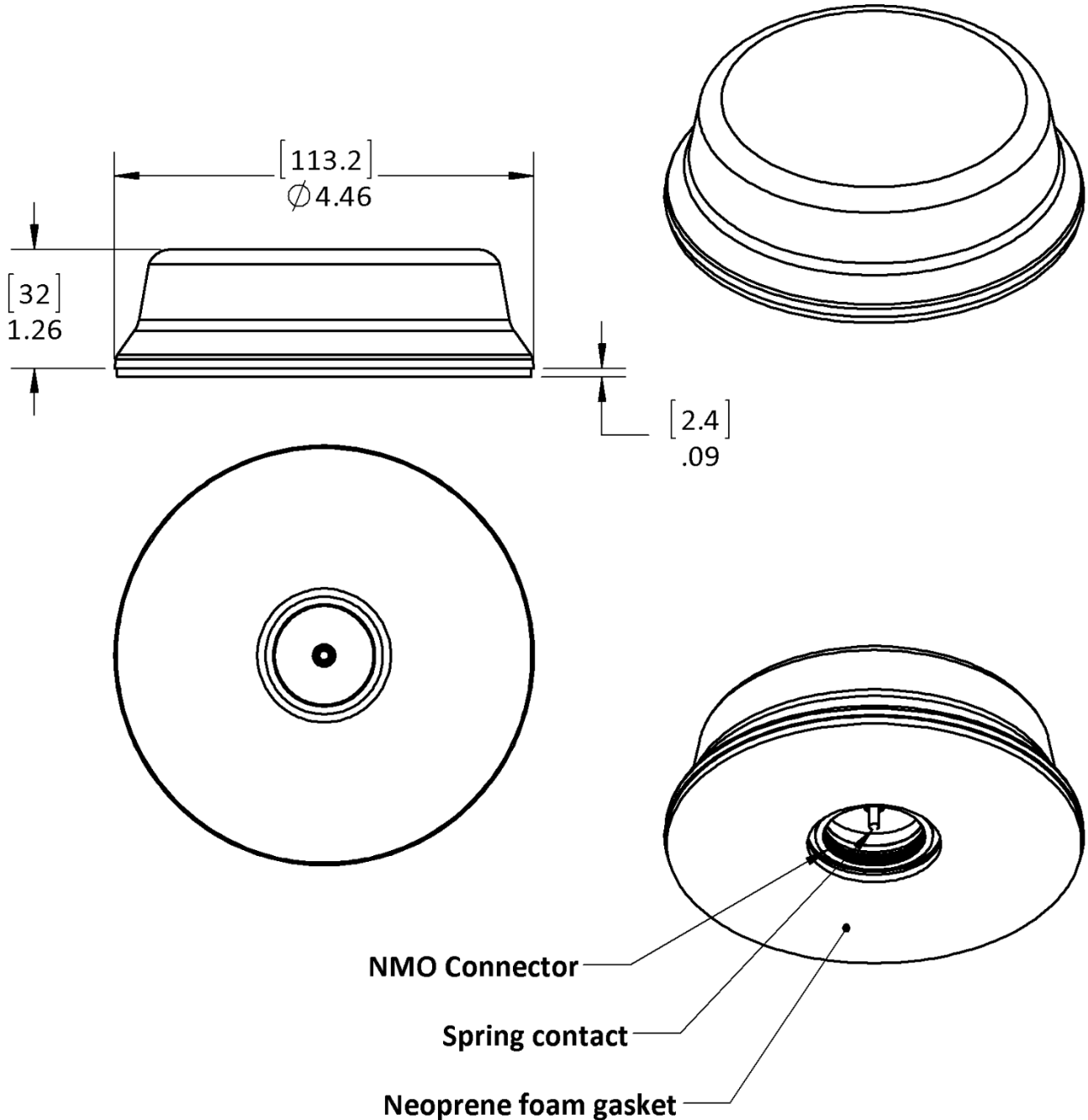
Used on NMO 3/4" HF or STD mounts (NMOKHFUD)	
Typical cable loss for 5.2m (17') RG-58 @ 850MHz	2.4 dB

Series: NMO mount
Low Profile

Description: : LP, 740-960MHz, 3.7dBi, NMO

PART NUMBER: LP78NMO, LP78NMOW (White)

MECHANICAL DRAWING



All dimensions are in mm / inches

Issue: 1737

In the effort to improve our products, we reserve the right to make changes judged to be necessary.

CONFIDENTIAL AND PROPRIETARY INFORMATION

This document contains confidential and proprietary information of Pulse Electronics, Inc. (Pulse) and is protected by copyright, trade secret and other state and federal laws. Its receipt or possession does not convey any rights to reproduce, disclose its contents, or to manufacture, use or sell anything it may describe. Reproduction, disclosure or use without specific written authorization of Pulse is strictly forbidden.

Description: : LP, 740-960MHz, 3.7dBi, NMO

Series: NMO mount
Low Profile

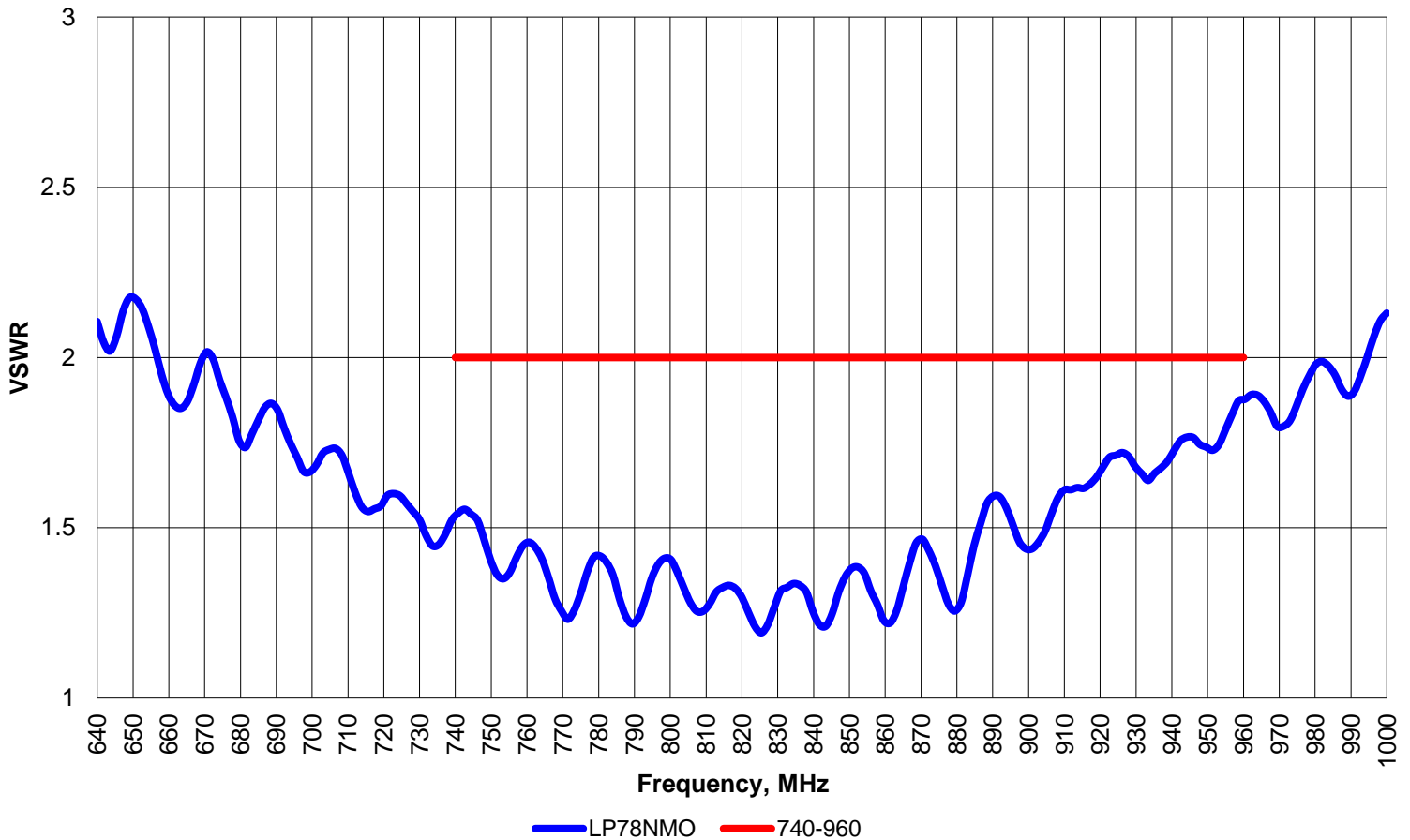
PART NUMBER: LP78NMO, LP78NMOW (White)

CHARTS

Measured with
5.2m (17') cable

VSWR vs Frequency
LP78NMO Measured on Ø40" GP

Measured at Pulse, USA - July 19, 2017



Issue: 1737

In the effort to improve our products, we reserve the right to make changes judged to be necessary.

CONFIDENTIAL AND PROPRIETARY INFORMATION

This document contains confidential and proprietary information of Pulse Electronics, Inc. (Pulse) and is protected by copyright, trade secret and other state and federal laws. Its receipt or possession does not convey any rights to reproduce, disclose its contents, or to manufacture, use or sell anything it may describe. Reproduction, disclosure or use without specific written authorization of Pulse is strictly forbidden.



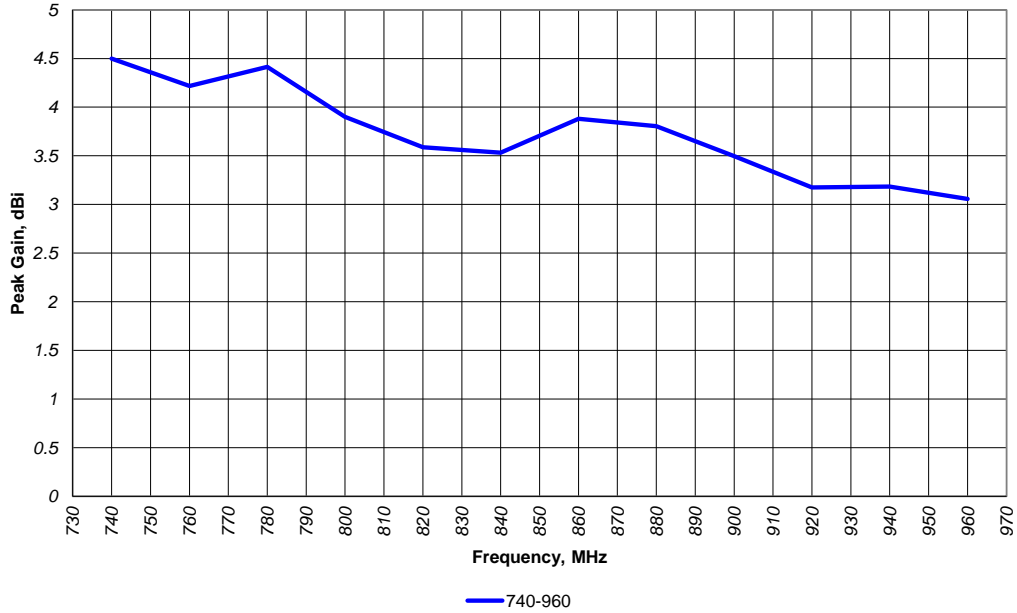
Description: : LP, 740-960MHz, 3.7dBi, NMO

Series: NMO mount
Low Profile

PART NUMBER: LP78NMO, LP78NMOW (White)

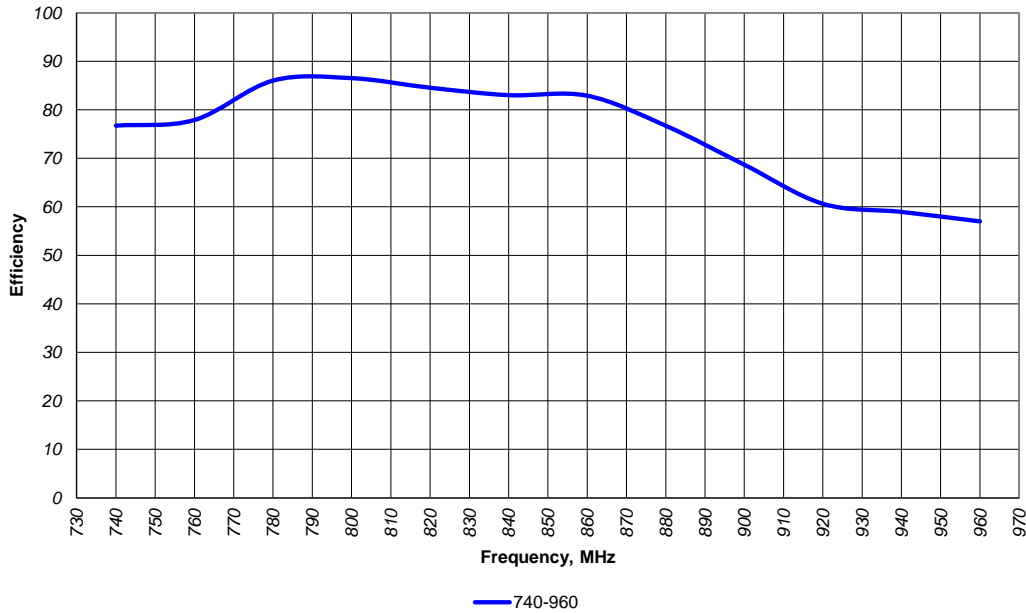
CHARTS

Peak Gain vs Frequency
LP78NMO Measured on Ø40" GP
Measured at Pulse, USA - July 19, 2017



Measured with 102mm (4" cable)

Efficiency vs Frequency
LP78NMO Measured on Ø40" GP
Measured at Pulse, USA - July 19, 2017



Measured with 102mm (4" cable)

Issue: 1737

In the effort to improve our products, we reserve the right to make changes judged to be necessary.

CONFIDENTIAL AND PROPRIETARY INFORMATION

This document contains confidential and proprietary information of Pulse Electronics, Inc. (Pulse) and is protected by copyright, trade secret and other state and federal laws. Its receipt or possession does not convey any rights to reproduce, disclose its contents, or to manufacture, use or sell anything it may describe. Reproduction, disclosure or use without specific written authorization of Pulse is strictly forbidden.

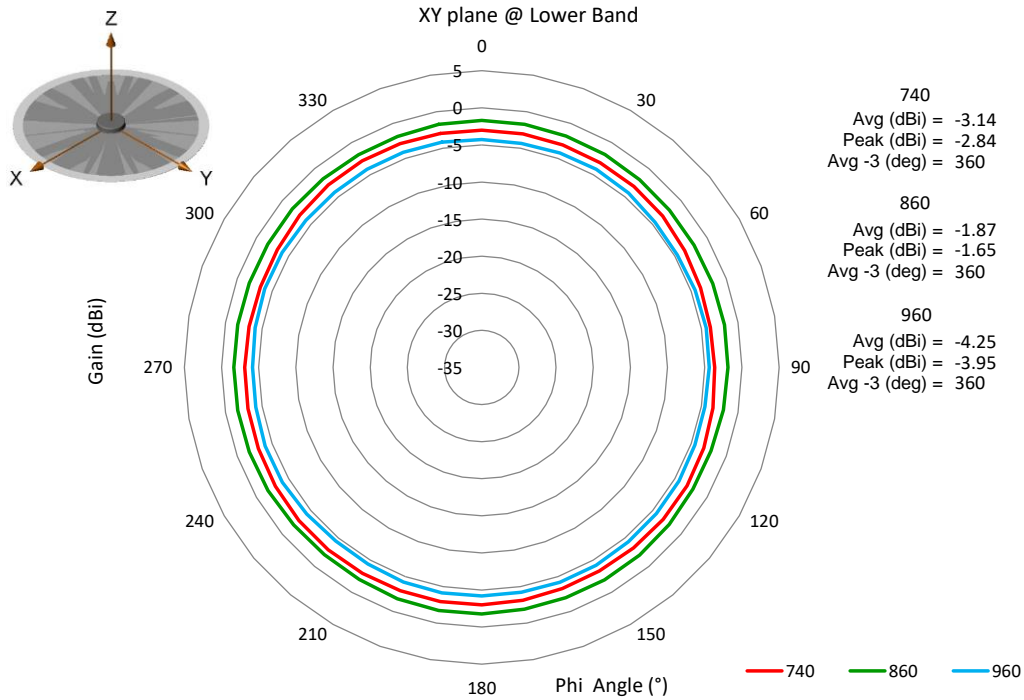
Description: : LP, 740-960MHz, 3.7dBi, NMO

Series: NMO mount
Low Profile

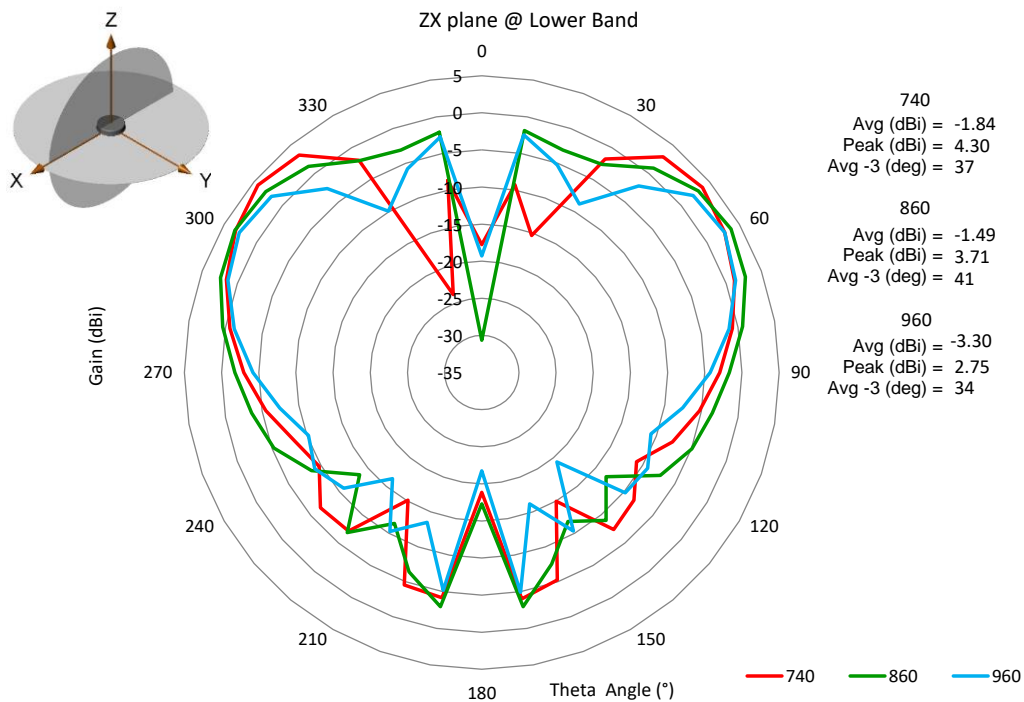
PART NUMBER: LP78NMO, LP78NMOW (White)

CHARTS

Measured with 102mm (4" cable)



Measured with 102mm (4" cable)



Issue: 1737

In the effort to improve our products, we reserve the right to make changes judged to be necessary.

CONFIDENTIAL AND PROPRIETARY INFORMATION

This document contains confidential and proprietary information of Pulse Electronics, Inc. (Pulse) and is protected by copyright, trade secret and other state and federal laws. Its receipt or possession does not convey any rights to reproduce, disclose its contents, or to manufacture, use or sell anything it may describe. Reproduction, disclosure or use without specific written authorization of Pulse is strictly forbidden.