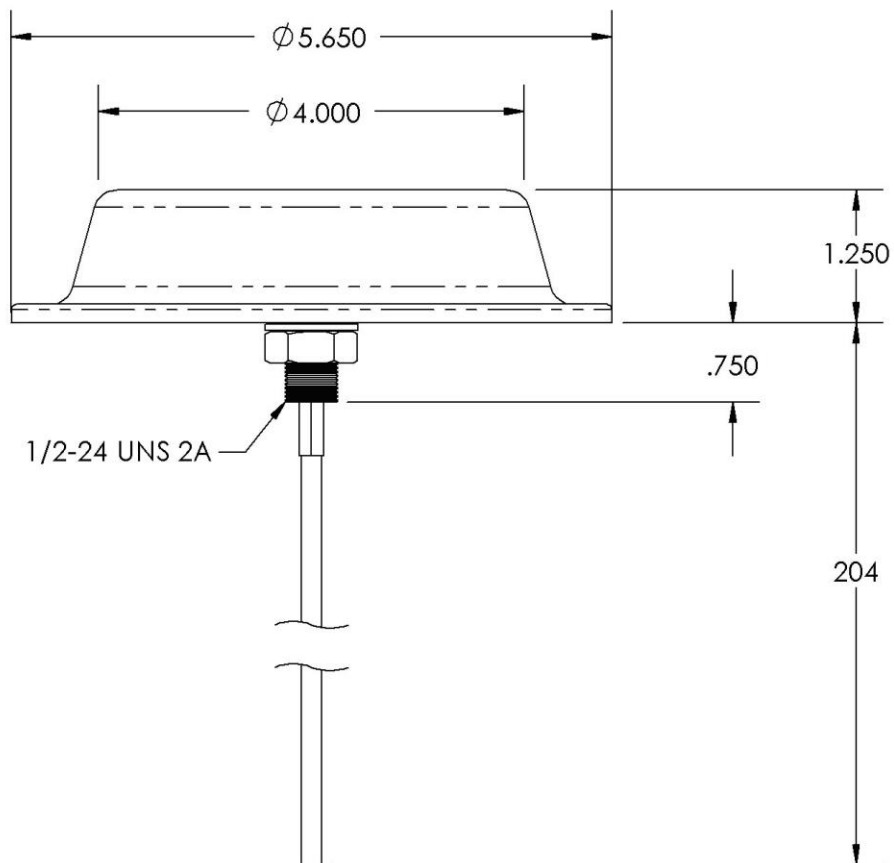
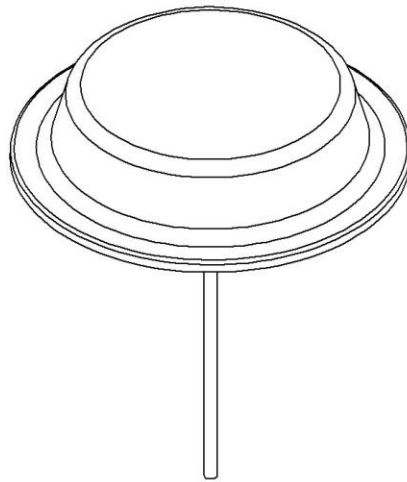


LOW PROFILE

806-960 MHz

LP800

Series : **ANTENNA**



All dimensions are inches

Issue : 0716

In the effort to improve our products, we reserve the right to make changes judged to be necessary.



LOW PROFILE

806-960 MHz

LP800

Series : **ANTENNA**

ELECTRICAL SPECIFICATIONS

Frequency :.....	806 - 960 MHz
VSWR :.....	2.0:1 or less
Type :	Low Profile
Gain :.....	Unity / 2.14 dBi
Bandwidth @ 1.5	90 MHz
Bandwidth @ 2.0	160 MHz
Power withstanding :.....	100 W

MECHANICAL CHARACTERISTICS

Plastic radome :	MackroBlend ® Polymer Resin
Color :	Black
Base Size :	5.65 inches
Max Height	1.25 inches
Coax	17' RG58/U Dual Shield
Mounting	Direct Feed 1/2" Hole
Connector	Requires Separate Order