

# RED INDICATES ORIGINAL

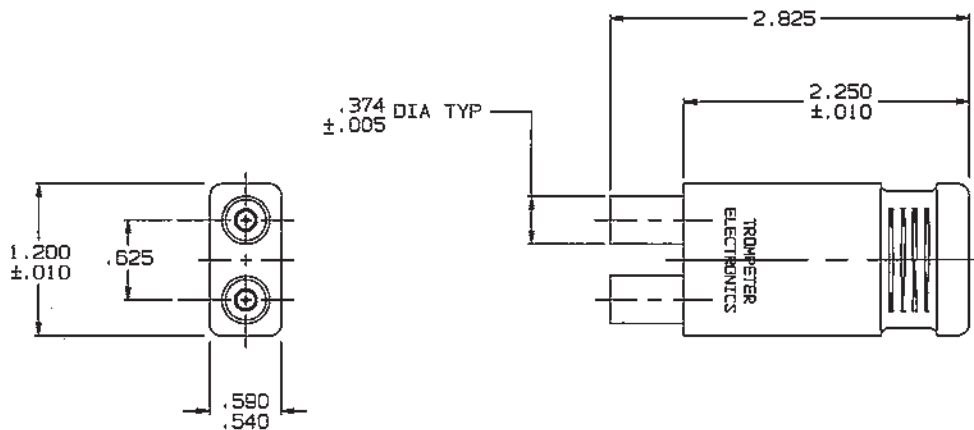
DATA CONTAINED IN THIS DOCUMENT IS PROPRIETARY TO TROMPETER ELECTRONICS INC. AND SHALL NOT BE DISCLOSED, COPIED OR USED FOR PROCUREMENT OR MANUFACTURE WITHOUT EXPRESS WRITTEN PERMISSION.

DASH NO	MODEL NO	COLOR	CABLE	
			TYPE	IMPD OHMS
-1	LPTW-78	BLUE	TWINAX	78
-2	LPTW-124			124
-3	LPTR-50	YELLOW	TRIAx	50
-4	LPTR-75			75
-5	LPTW-98	BLUE	TWINAX	98
-6	LPTW-0	BLUE	W/O	-

△ 5

REVISIONS			3-0012		SH 1
REV	ED	DESCRIPTION	DWN	APPROVED	DATE
M	12402	ADDED ITEM 10; DELETED 2 ON ITEM 1; SEE ECO	DBN	<i>WM</i>	4/7/98

INCH	MM
.005	0.13
.010	0.25
.030	0.76
.125	3.18
.374	9.50
.540	13.72
.590	14.99
.625	15.88
1.200	30.48
2.250	57.15
2.825	71.76



- △ 5 ASSEMBLED WITHOUT WIRE TO BE USED AS A PLUG
- △ 4 ALL CABLE ASSEMBLIES FOR -5 SHALL BE EQUAL IN LENGTH TO WITHIN 0.125 INCHES
- 3. CONCENTRIC TWINAX/TRIAx STD SPACING LOOPING PLUG
- 2. FINISH: BARRELS; TFS-1A (NICKEL) CASE; SEE TABLE
- 1. ALL DIM ARE IN INCHES

QTY	DESCRIPTION	PART NUMBER	ITEM
TOL UNLESS SPECIFIED .XX ± .XXX ± .030 .XXXX ± ANGLES ±		<b>TROMPETER</b> RF connectivity <small>a ctech connectivity solutions brand</small>	LPTW / LPTR
DWN	DBN 3/21/98		
CHK	<i>WM</i> 3-24-98	14949	DRAWING NO. 3-0012
ENGR	<i>Fa</i>	REV M	
APPR	<i>Fa</i> 3/25/98	SCALE: 1/1	DATE 7/14/66 SHEET 1 OF 2

NEXT ASSY