

Varistor Product Specification

Datasheet Rev 1

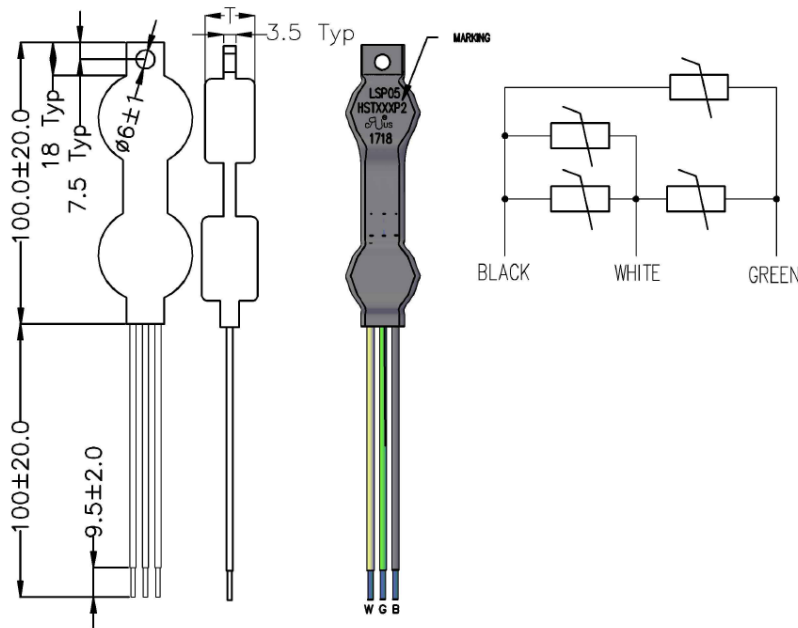
Sheet 1 of 2

Custom LSP Module

LSP05HST240P2 & LSP05HST277P2 & LSP05HST480P2

Absolute Max Ratings :
 Operating Temperature Range 85°C max

Outline Dimensions



Type	T
LSP05HST240P2	22 max
LSP05HST277P2	24 max
LSP05HST480P2	26 max

- Dimensions in millimetres are typical.
- Black: Line; White: Neutral; Green: Ground;
- Wire Gauge: AWG18 wire.
- UL Approved by E320116.



Expertise Applied | Answers Delivered

Varistor Product Specification

Datasheet Rev 1

Sheet 2 of 2

Device Ratings and Specifications

Part Number	Marking	Operating Voltage (Vac)	MCOV (Vac)	Maximum Discharge Current (Imax) I _{TM} 1 x Pulse (A) 8x20us	Nominal Discharge Current (In) (A) 8x20us	MODES	Varistor Voltage at 1mA	
							Vnom (DC) Min	Vnom (DC) Max
LSP05HST240P2	HST240P2	240	275	10000	5000	L-N, L-G, N-G	387	473
LSP05HST277P2	HST277P2	277	320	10000	5000	L-N, L-G, N-G	459	561
LSP05HST480P2	HST480P2	480	510	10000	5000	L-N, L-G, N-G	738	902

Rev.
0
1

Date
16 May, 2017
15 Jun, 2017

Details
New
Update drawing