



# Surge Protection Devices

The Hatch LSP10-SM surge protection device provides single phase protection for line/neutral, line/ground, and neutral/ground. The LSP10-SM offers protection for LED luminaires in a small and convenient flat form factor. The surge protector is a **Type 4CA SPD** suitable for field or factory installation and is designed to be wired in parallel. The LSP10-SM also protects Electronic Fluorescent and HID ballasts as well as all other electronic products. The LSP10-SM is designed to meet the following testing requirements:

Standard	Category
ANSI C136.2-2018	Enhanced Test Level
IEEE C62.41.2-2002	Cat. C High Exposure (10kV, 1.2/50µS & 10kA, 8/20µs)
ANSI C82.77-5-2017	Cat. C Medium Exposure Level (10kV, 1.2/50µs & 5kA, 8/20µs)

## SURGE PROTECTION DEVICES LSP10-SM

### FEATURES

**SNAPLOCK™**

### MOUNTING



## SPECIFICATIONS

<b>Input Voltage</b>	120-277V (+/- 5%)		
<b>Frequency</b>	60Hz		
<b>Maximum Continuous Voltage</b>	320V		
<b>Maximum Discharge Current</b>	10kA (8/20µs standard wave)		
<b>Nominal Discharge Current</b>	5kA		
<b>Measured Limiting Voltage (VpK)</b>	L-N	L-G	N-G
	1180	1180	1180
<b>Thermal Protection</b>	Thermally protected transient over-voltage circuit		

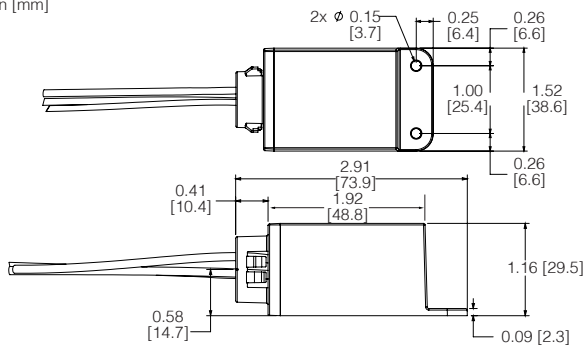
### Pulse Rating (8 x 20 µSec)

Surge Level	# of Strikes
	L-G, N-G, L-N
10,000A	1
6,500A	2
5,000A	15

## MECHANICAL DIMENSIONS

### SNAPLOCK™ Model

Snaps into a 1/2" K.O. or can be mounted by feet in [mm]



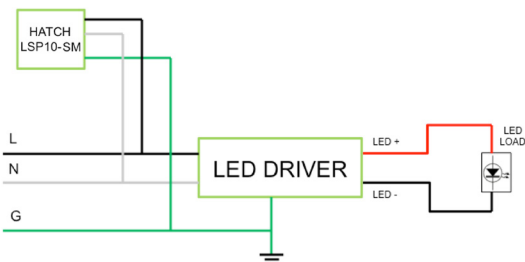
## DIMENSIONS [MM]

<b>Length</b>	2.91 [73.90]
<b>Mounting Hole</b>	0.15 [3.70]
<b>Width</b>	1.52 [38.60]
<b>Height</b>	1.16 [29.50]

## WIRING INFORMATION

<b>Surge Protector Wires</b>	6", Black (L), White (N), Green (G) #16 AWG
------------------------------	---

## WIRING DIAGRAM



## PACKAGING INFORMATION

<b>Weight</b>	2.43oz
<b>Quantity</b>	100pc/carton

## APPROVALS



## WARRANTY

- 5 year limited warranty

