



Surge Protection Devices

The Hatch LSP3 surge protection device provides single phase protection for line/neutral, line/ground, and neutral/ground. The LSP3 offers protection for LED luminaires in a small and convenient flat form factor with thermal protection and an EOL (end-of-life) LED indicator that monitors L/N, L/G and N/G. The surge protector is a **Type 4CA SPD** suitable for field or factory installation and is designed to be wired in parallel. The LSP3 also protects Electronic Fluorescent and HID ballasts as well as all other electronic products. The LSP3 is designed to meet the following testing requirements:

Standard	Category
ANSI C136.2-2018	Enhanced Test Level
IEEE C62.41.2-2002	Cat. C High Exposure (10kV, 1.2/50µS & 10kA, 8/20µs)
ANSI C82.77-5-2017	Cat. C Medium Exposure Level (10kV, 1.2/50µs & 5kA, 8/20µs)

SURGE PROTECTION DEVICES LSP3-10

Field or Factory Installable



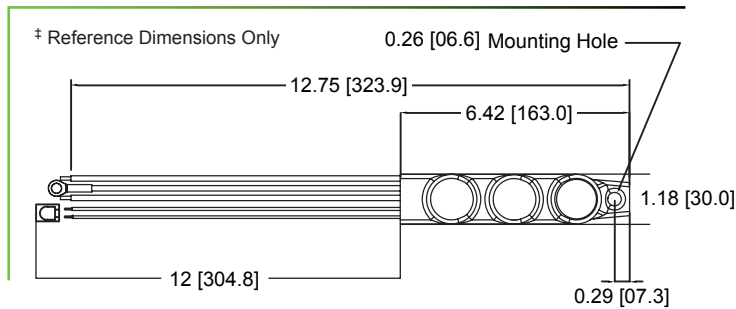
Ordering Guide	
LSP3-10-UNV	No EOL
LSP3-10L-UNV	With EOL

SPECIFICATIONS

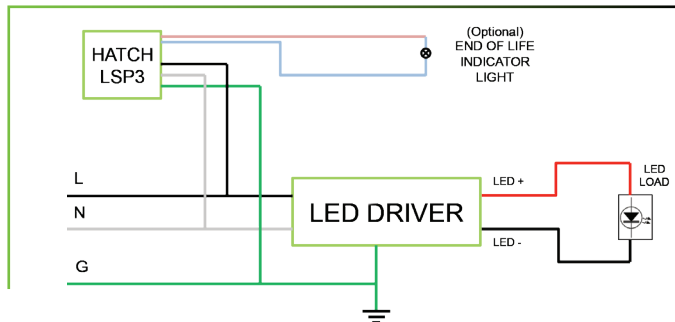
Input Voltage	120-277V (+/- 5%)		
Frequency	50Hz-60Hz		
Maximum Continuous Voltage	385V		
Maximum Discharge Current	10kA (8/20µs standard wave)		
Nominal Discharge Current	5kA		
Max Case Temperature	85°C		
Measured Limiting Voltage (VpK)	L-N	L-G	N-G
	1750	1750	1750

Pulse Rating (8 x 20 µSec)	
Surge Level	# of Strikes L-G, N-G, L-N
10,000A	1
6,500A	2
5,000A	15
2,000A	100
700A	1000

MECHANICAL DIMENSIONS [MM]



WIRING DIAGRAM



EOL Indicator: When illuminated, LSP3 is working correctly. When the indicator goes out, LSP3 needs to be replaced as soon as possible.

Note: LED Mounting Clip: BIVAR model: C-150-SR

Specifications subject to change without notice.



DIMENSIONS [MM]

Length	6.42 [163.0]
Mounting Hole	0.26 [6.6]
Width	1.18 [30.0]
Height	0.80 [20.0]

WIRING INFORMATION

Surge Protector Wires	6", Black (L), White (N), Green (G) #14 AWG
EOL Indicator Wires (Optional)	12", Red (R), Blue(B) #22 AWG

PACKAGING INFORMATION

Weight	3.07oz
Weight with Optional EOL	3.41oz
Quantity	50pc/carton

APPROVALS



WARRANTY

- 5 year limited warranty