



Surge Protection Devices

The Hatch LSP3 surge protection device provides single phase protection for line/neutral, line/ground, and neutral/ground. The LSP3 offers protection for LED luminaires in a small and convenient flat form factor with thermal protection and an EOL (end-of-life) LED indicator that monitors L/N, L/G and N/G. The surge protector is a **Type 4CA SPD** suitable for field or factory installation and is designed to be wired in parallel. The LSP3 also protects Electronic Fluorescent and HID ballasts as well as all other electronic products. The LSP3 is designed to meet the following testing requirements:

Standard	Category
ANSI C136.2-2018	Extreme Test Level
IEEE C62.41.2-2002	Cat. C High Exposure (10kV, 1.2/50µS & 10kA, 8/20µs)
ANSI C82.77-5-2017	Cat. C High Exposure Level (20kV, 1.2/50µs & 10kA, 8/20µs)

SURGE PROTECTION DEVICES LSP3-20

Field or Factory Installable



Ordering Guide

LSP3-20-UNV	No EOL
LSP3-20L-UNV	With EOL

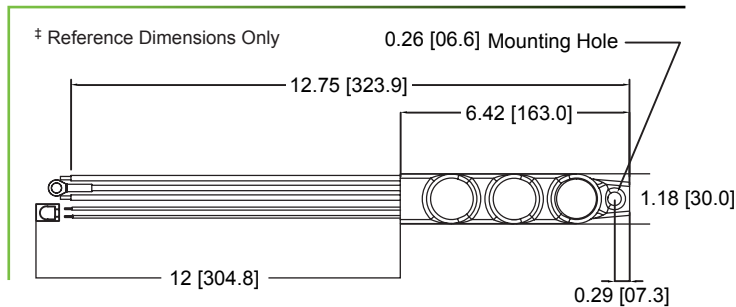
SPECIFICATIONS

Model	LSP3-20(L)-UNV	LSP3-20(L)-480
Input Voltage	120-277V (+/- 5%)	347-480V (+/- 5%)
Frequency	50Hz-60Hz	50Hz-60Hz
Maximum Continuous Voltage	385V	550V
Maximum Discharge Current	20kA (8/20µs standard wave)	
Nominal Discharge Current	10kA	
Max Case Temperature	85°C	
Measured Limiting Voltage (VpK)	L-N, L-G, N-G	L-N, L-G, N-G
	1870	2480

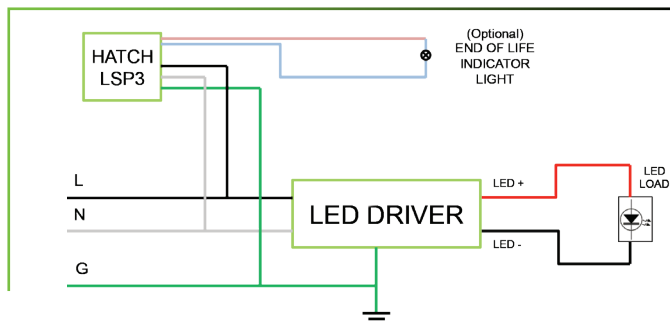
Pulse Rating (8 x 20 µSec)

Surge Level	# of Strikes
	L-N, L-G, N-G
20,000A	1
15,000A	2
10,000A	15
4,000A	100
1,400A	1,000

MECHANICAL DIMENSIONS [MM]



WIRING DIAGRAM



EOL Indicator: When illuminated, LSP3 is working correctly. When the indicator goes out, LSP3 needs to be replaced as soon as possible.

Note: LED Mounting Clip: BIVAR model: C-150-SR

Specifications subject to change without notice.



DIMENSIONS [MM]

Length	6.42 [163.0]
Mounting Hole	0.26 [6.6]
Width	1.18 [30.0]
Height	0.80 [20.0]

WIRING INFORMATION

Surge Protector Wires	6", Black (L), White (N), Green (G) #14 AWG
EOL Indicator Wires (Optional)	12", Red (R), Blue (B) #22 AWG

PACKAGING INFORMATION

Weight: UNV/480	3.57/4.06oz
Weight with optional EOL: UNV/480	3.90/4.42oz
Quantity	50pc/carton

APPROVALS



WARRANTY

- 5 year limited warranty