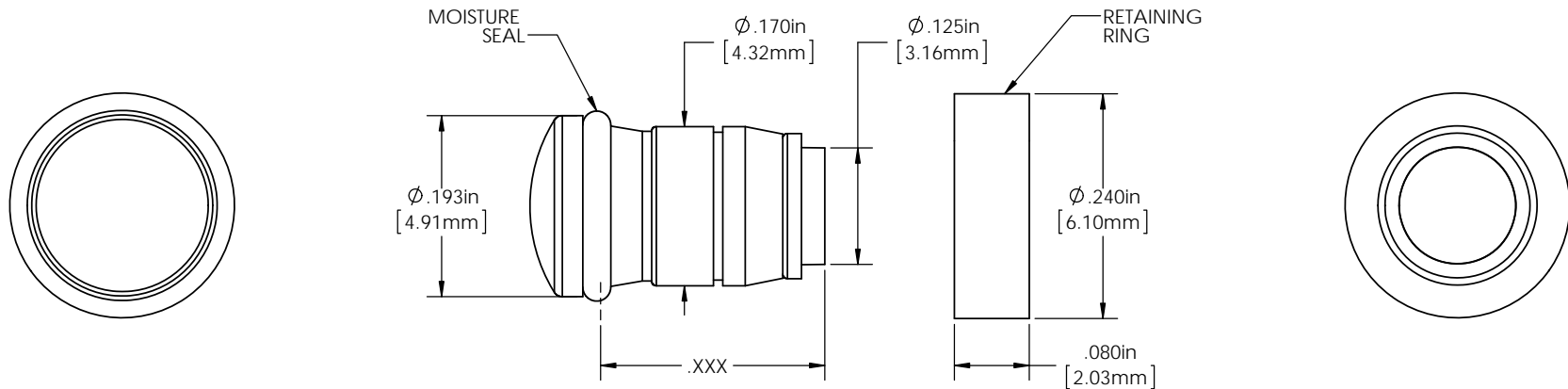


8 7 6 5 4 3 2 1

NOTES:

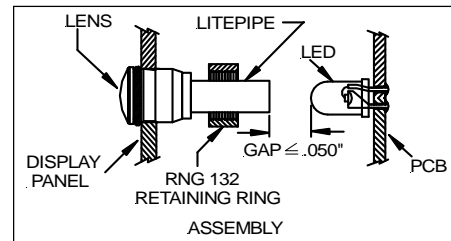
1. ROHS COMPLIANT
2. MATERIAL:
 LIGHTPIPE - ACRYLIC (CLEAR OPTICAL GRADE), UL 94-HB
 LENS - POLYCARBONATE, UL 94-V2
 SEAL - EPDM
 RETAINING RING - POLYPROPYLENE (BLACK)
3. MOUNTING: MOUNTS IN A $\phi .171" \pm .002$ [$\phi 4.34\text{mm} \pm .05$] PANEL HOLE ON
 .250" [6.35mm] CENTER
4. PANEL HOLE SHALL BE DEBURRED, BUT NOT CHAMFERED
5. PANEL THICKNESS: .031" [.8mm] TO .094" [2.39mm]
6. ASSEMBLY:
 A.) INSERT LITEPIPE THROUGH PANEL HOLE
 B.) PRESS ON RETAINING RING TO SECURE UNIT TO PANEL
 C.) SLIDE PCB INTO POSITION ALIGNING LED WITH END OF LITEPIPE UNIT
7. U.S AND FOREIGN PATENTS ISSUED

REVISIONS					
ECN #	REV.	DESCRIPTION	DATE	INITIALS	CHK'D
391	000	INITIAL RELEASE	2/20/12	KH	AZ



ORDERING CODE: LSS XXX XXX

LITEPIPE		LENS	
XXX =	LENGTH	XXX =	COLOR
024	.240" (6.10mm)	RTP	RED TRANSPARENT
044	.440" (11.18mm)	ATP	AMBER TRANSPARENT
064	.640" (16.26mm)	GTP	GREEN TRANSPARENT
084	.840" (21.34mm)	BTP	BLUE TRANSPARENT
104	1.04" (26.4mm)	YTP	YELLOW TRANSPARENT
124	1.24" (31.5mm)	CTP	CLEAR TRANSPARENT
CUSTOM LENGTHS AVAILABLE UPON REQUEST			



DIMENSION STYLE: INCHES / MM GENERAL TOLERANCES UNLESS OTHERWISE SPECIFIED: X ± .020 ± .508 XX ± .010 ± .254 XXX ± .005 ± .127 ANGLE ± 1° BREAK ALL CORNERS AND SHARP EDGES 90° MAX THIRD ANGLE PROJECTION PROPRIETARY AND CONFIDENTIAL THE INFORMATION CONTAINED IN THIS DRAWING IS THE SOLE PROPERTY OF VISUAL COMMUNICATIONS COMPANY, INC. ANY REPRODUCTION IN PART OR AS A WHOLE WITHOUT THE WRITTEN PERMISSION OF VISUAL COMMUNICATIONS COMPANY, INC IS PROHIBITED.	APPROVAL	DATE
	DRAWN: KHOWARD	2/20/12
	CHECKED: AZANELLI	3/6/12
MATERIAL	SEE NOTES	
FINISH	SEE NOTES	
DO NOT SCALE DRAWING		

VCC
 12780 DANIELSON CT, SUITE A, POWAY, CA 92064 U.S.A
 PHONE: (800) 522-5546 EMAIL: vccsales@vcclite.com

TITLE: ASSY, 3MM MOISTURE SEALED LITEPIPE

SIZE	DWG. NO.	REV
B	LSS XXX XXX	000

SCALE: 8:1 SHEET 1 OF 1

8 7 6 5 4 3 2 1