

# 1.1A, 35MHz Current Feedback Amplifier

## FEATURES

- 1.1A Minimum Output Drive Current
- 35MHz Bandwidth,  $A_V = 2$ ,  $R_L = 10\Omega$
- 900V/ $\mu$ s Slew Rate,  $A_V = 2$ ,  $R_L = 10\Omega$
- High Input Impedance: 10M $\Omega$
- Wide Supply Range:  $\pm 5V$  to  $\pm 15V$  (TO-220 and DD Packages)
- Enhanced  $\theta_{JA}$  SO-16 Package for  $\pm 5V$  Operation
- Shutdown Mode:  $I_S < 200\mu A$
- Adjustable Supply Current
- Stable with  $C_L = 10,000pF$
- Operating Temperature Range:  $-40^\circ C$  to  $85^\circ C$
- Available in 7-Lead DD, TO-220 and 16-Lead SO Packages

## APPLICATIONS

- Cable Drivers
- Buffers
- Test Equipment Amplifiers
- Video Amplifiers
- ADSL Drivers

## DESCRIPTION

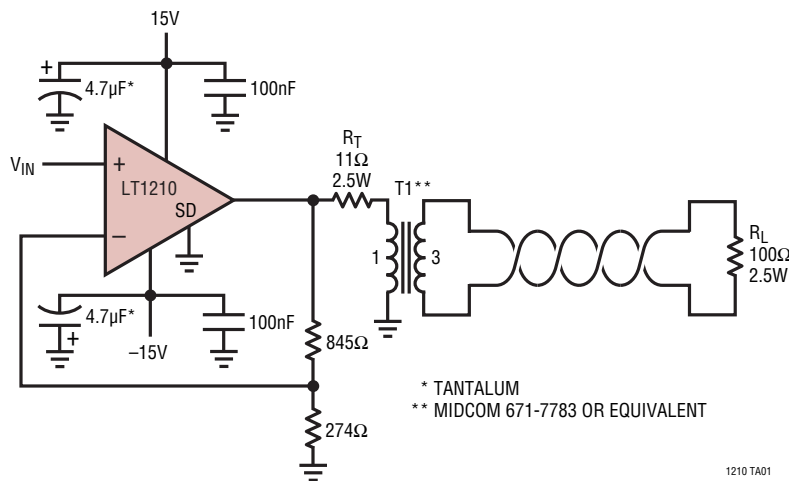
The **LT<sup>®</sup>1210** is a current feedback amplifier with high output current and excellent large-signal characteristics. The combination of high slew rate, 1.1A output drive and  $\pm 15V$  operation enables the device to deliver significant power at frequencies in the 1MHz to 2MHz range. Short-circuit protection and thermal shutdown ensure the device's ruggedness. The LT1210 is stable with large capacitive loads, and can easily supply the large currents required by the capacitive loading. A shutdown feature switches the device into a high impedance and low supply current mode, reducing dissipation when the device is not in use. For lower bandwidth applications, the supply current can be reduced with a single external resistor.

The LT1210 is available in the TO-220 and DD packages for operation with supplies up to  $\pm 15V$ . For  $\pm 5V$  applications the device is also available in a low thermal resistance SO-16 package.

All registered trademarks and trademarks are the property of their respective owners.

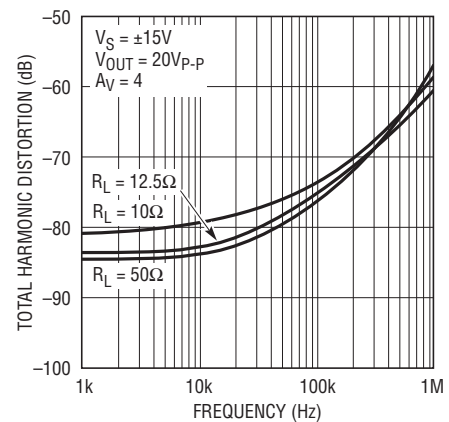
## TYPICAL APPLICATION

Twisted Pair Driver



1210 TA01

Total Harmonic Distortion vs Frequency



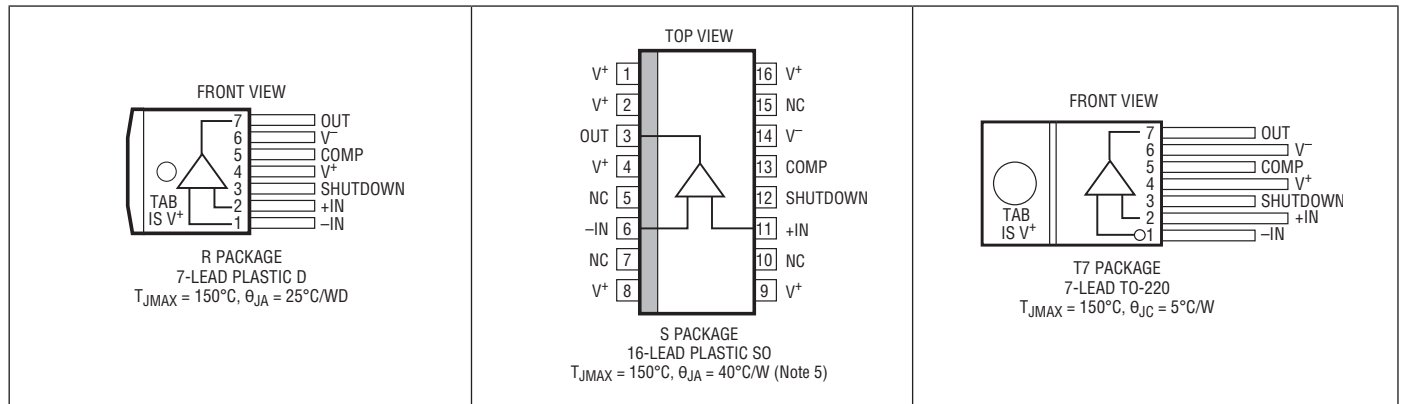
1210 TA02

# LT1210

## ABSOLUTE MAXIMUM RATINGS (Note 1)

Supply Voltage .....	±18V	Specified Temperature Range (Note 4)	
Input Current.....	±15mA	LT1210C.....	0°C to 70°C
Output Short-Circuit Duration		LT1210I.....	-40°C to 85°C
(Note 2) .....	Thermally Limited	Junction Temperature .....	150°C
Operating Temperature Range (Note 3)		Storage Temperature Range .....	-65°C to 150°C
LT1210C.....	-40°C to 85°C	Lead Temperature (Soldering, 10 sec).....	300°C
LT1210I.....	-40°C to 85°C		

## PIN CONFIGURATION



## ORDER INFORMATION <http://www.linear.com/product/LT1210#orderinfo>

LEAD FREE FINISH	TAPE AND REEL	PART MARKING*	PACKAGE DESCRIPTION	TEMPERATURE RANGE
LT1210CR#PBF	LT1210CR#TRPBF	LT1210R	7-Lead Plastic DPAK	0°C to 70°C
LT1210IR#PBF	LT1210IR#TRPBF	LT1210R	7-Lead Plastic DPAK	-40°C to 85°C
LT1210CS#PBF	LT1210CS#TRPBF	LT1210CS	16-Lead Plastic SOIC	0°C to 70°C
LT1210CT7#PBF	N/A	LT1210CT7	7-Lead TO-220	0°C to 70°C

Consult ADI Marketing for parts specified with wider operating temperature ranges. \*The temperature grade is identified by a label on the shipping container.

For more information on lead free part marking, go to: <http://www.linear.com/leadfree/>

For more information on tape and reel specifications, go to: <http://www.linear.com/tapeandreel/>. Some packages are available in 500 unit reels through designated sales channels with #TRMPBF suffix.

**ELECTRICAL CHARACTERISTICS** The ● denotes the specifications which apply over the full operating temperature range, otherwise specifications are at  $T_A = 25^\circ\text{C}$ .  $V_{CM} = 0\text{V}$ ,  $\pm 5\text{V} \leq V_S \leq \pm 15\text{V}$ , pulse tested,  $V_{SD} = 0\text{V}$ , unless otherwise noted.

SYMBOL	PARAMETER	CONDITIONS	MIN	TYP	MAX	UNITS
$V_{OS}$	Input Offset Voltage			±3	±15 ±20	mV mV
	Input Offset Voltage Drift			10		$\mu\text{V}/^\circ\text{C}$
$I_{IN}^+$	Noninverting Input Current			±2	±5 ±20	$\mu\text{A}$ $\mu\text{A}$
$I_{IN}^-$	Inverting Input Current			±10	±60 ±100	$\mu\text{A}$ $\mu\text{A}$
$e_n$	Input Noise Voltage Density	$f = 10\text{kHz}$ , $R_F = 1\text{k}\Omega$ , $R_G = 10\Omega$ , $R_S = 0\Omega$		3.0		$\text{nV}/\sqrt{\text{Hz}}$
$+i_n$	Input Noise Current Density	$f = 10\text{kHz}$ , $R_F = 1\text{k}\Omega$ , $R_G = 10\Omega$ , $R_S = 10\text{k}\Omega$		2.0		$\text{pA}/\sqrt{\text{Hz}}$
$-i_n$	Input Noise Current Density	$f = 10\text{kHz}$ , $R_F = 1\text{k}\Omega$ , $R_G = 10\Omega$ , $R_S = 10\text{k}\Omega$		40		$\text{pA}/\sqrt{\text{Hz}}$
$R_{IN}$	Input Resistance	$V_{IN} = \pm 12\text{V}$ , $V_S = \pm 15\text{V}$	●	1.50	10	$\text{M}\Omega$
		$V_{IN} = \pm 2\text{V}$ , $V_S = \pm 5\text{V}$	●	0.25	5	$\text{M}\Omega$
$C_{IN}$	Input Capacitance	$V_S = \pm 15\text{V}$		2		pF
	Input Voltage Range	$V_S = \pm 15\text{V}$	●	±12	±13.5	V
		$V_S = \pm 5\text{V}$	●	±2	±3.5	V
CMRR	Common Mode Rejection Ratio	$V_S = \pm 15\text{V}$ , $V_{CM} = \pm 12\text{V}$	●	55	62	dB
		$V_S = \pm 5\text{V}$ , $V_{CM} = \pm 2\text{V}$	●	50	60	dB
	Inverting Input Current Common Mode Rejection	$V_S = \pm 15\text{V}$ , $V_{CM} = \pm 12\text{V}$	●	0.1	10	$\mu\text{A}/\text{V}$
		$V_S = \pm 5\text{V}$ , $V_{CM} = \pm 2\text{V}$	●	0.1	10	$\mu\text{A}/\text{V}$
PSRR	Power Supply Rejection Ratio	$V_S = \pm 5\text{V}$ to $\pm 15\text{V}$	●	60	77	dB
	Noninverting Input Current Power Supply Rejection	$V_S = \pm 5\text{V}$ to $\pm 15\text{V}$	●	30	500	nA/V
		$V_S = \pm 5\text{V}$ to $\pm 15\text{V}$	●	0.7	5	$\mu\text{A}/\text{V}$
$A_V$	Large-Signal Voltage Gain	$T_A = 25^\circ\text{C}$ , $V_S = \pm 15\text{V}$ , $V_{OUT} = \pm 10\text{V}$ , $R_L = 10\Omega$ (Note 5)		55	71	dB
		$V_S = \pm 15\text{V}$ , $V_{OUT} = \pm 8.5\text{V}$ , $R_L = 10\Omega$ (Note 5)	●	55	68	dB
		$V_S = \pm 5\text{V}$ , $V_{OUT} = \pm 2\text{V}$ , $R_L = 10\Omega$	●	55	68	dB
$R_{OL}$	Transresistance, $\Delta V_{OUT}/\Delta I_{IN}^-$	$T_A = 25^\circ\text{C}$ , $V_S = \pm 15\text{V}$ , $V_{OUT} = \pm 10\text{V}$ , $R_L = 10\Omega$ (Note 5)		100	260	$\text{k}\Omega$
		$V_S = \pm 15\text{V}$ , $V_{OUT} = \pm 8.5\text{V}$ , $R_L = 10\Omega$ (Note 5)	●	75	200	$\text{k}\Omega$
		$V_S = \pm 5\text{V}$ , $V_{OUT} = \pm 2\text{V}$ , $R_L = 10\Omega$	●	75	200	$\text{k}\Omega$
$V_{OUT}$	Maximum Output Voltage Swing	$T_A = 25^\circ\text{C}$ , $V_S = \pm 15\text{V}$ , $R_L = 10\Omega$ (Note 5)	●	±10.0 ±8.5	±11.5	V V
		$T_A = 25^\circ\text{C}$ , $V_S = \pm 5\text{V}$ , $R_L = 10\Omega$	●	±2.5 ±2.0	±3.0	V V
$I_{OUT}$	Maximum Output Current (Note 5)	$V_S = \pm 15\text{V}$ , $R_L = 1\Omega$	●	1.1	2.0	A
$I_S$	Supply Current (Note 5)	$T_A = 25^\circ\text{C}$ , $V_S = \pm 15\text{V}$ , $V_{SD} = 0\text{V}$	●	35	50 65	mA mA
		Supply Current, $R_{SD} = 51\text{k}\Omega$ (Notes 5, 6)		15	30	mA
	Positive Supply Current, Shutdown	$V_S = \pm 15\text{V}$ , $V_{SD} = 15\text{V}$	●		200	$\mu\text{A}$
	Output Leakage Current, Shutdown	$V_S = \pm 15\text{V}$ , $V_{SD} = 15\text{V}$	●		10	$\mu\text{A}$

## ELECTRICAL CHARACTERISTICS

The ● denotes the specifications which apply over the full operating temperature range, otherwise specifications are at  $T_A = 25^\circ\text{C}$ .  $V_{CM} = 0\text{V}$ ,  $\pm 5\text{V} \leq V_S \leq \pm 15\text{V}$ , pulse tested,  $V_{SD} = 0\text{V}$ , unless otherwise noted.

SYMBOL	PARAMETER	CONDITIONS	MIN	TYP	MAX	UNITS
SR	Slew Rate (Note 7)	$T_A = 25^\circ\text{C}$ , $A_V = 2$ , $R_L = 400\Omega$	400	900		V/ $\mu\text{s}$
	Slew Rate (Note 5)	$T_A = 25^\circ\text{C}$ , $A_V = 2$ , $R_L = 10\Omega$		900		V/ $\mu\text{s}$
	Differential Gain (Notes 5, 8)	$V_S = \pm 15\text{V}$ , $R_F = 750\Omega$ , $R_G = 750\Omega$ , $R_L = 15\Omega$		0.3		%
	Differential Phase (Notes 5, 8)	$V_S = \pm 15\text{V}$ , $R_F = 750\Omega$ , $R_G = 750\Omega$ , $R_L = 15\Omega$		0.1		DEG
BW	Small-Signal Bandwidth	$A_V = 2$ , $V_S = \pm 15\text{V}$ , Peaking $\leq 1\text{dB}$ , $R_F = R_G = 680\Omega$ , $R_L = 100\Omega$		55		MHz
		$A_V = 2$ , $V_S = \pm 15\text{V}$ , Peaking $\leq 1\text{dB}$ , $R_F = R_G = 576\Omega$ , $R_L = 10\Omega$		35		MHz

**Note 1:** Stresses beyond those listed under Absolute Maximum Ratings may cause permanent damage to the device. Exposure to any Absolute Maximum Rating condition for extended periods may affect device reliability and lifetime.

**Note 2:** A heat sink may be required to keep the junction temperature below the Absolute Maximum rating. Applies to short circuits to ground only. A short circuit between the output and either supply may permanently damage the part when operated on supplies greater than  $\pm 10\text{V}$ .

**Note 3:** The LT1210C/LT1210I are guaranteed functional over the temperature range of  $-40^\circ\text{C}$  to  $85^\circ\text{C}$ .

**Note 4:** The LT1210C is guaranteed to meet specified performance from  $0^\circ\text{C}$  to  $70^\circ\text{C}$ . The LT1210C is designed, characterized and expected to meet specified performance from  $-40^\circ\text{C}$  to  $85^\circ\text{C}$  but not tested or QA sampled at these temperatures. The LT1210I is guaranteed to meet specified performance from  $-40^\circ\text{C}$  to  $85^\circ\text{C}$ .

**Note 5:** SO package is recommended for  $\pm 5\text{V}$  supplies only, as the power dissipation of the SO package limits performance on higher supplies. For supply voltages greater than  $\pm 5\text{V}$ , use the TO-220 or DD package. See Thermal Considerations in the Applications Information section for details on calculating junction temperature. If the maximum dissipation of the package is exceeded, the device will go into thermal shutdown.

**Note 6:**  $R_{SD}$  is connected between the Shutdown pin and ground.

**Note 7:** Slew rate is measured at  $\pm 5\text{V}$  on a  $\pm 10\text{V}$  output signal while operating on  $\pm 15\text{V}$  supplies with  $R_F = 1.5\text{k}\Omega$ ,  $R_G = 1.5\text{k}\Omega$  and  $R_L = 400\Omega$ .

**Note 8:** NTSC composite video with an output level of 2V.

## SMALL-SIGNAL BANDWIDTH

$R_{SD} = 0\Omega$ ,  $I_S = 30\text{mA}$ ,  $V_S = \pm 5\text{V}$ , Peaking  $\leq 1\text{dB}$

$A_V$	$R_L (\Omega)$	$R_F (\Omega)$	$R_G (\Omega)$	-3dB BW (MHz)
-1	150	549	549	52.5
	30	590	590	39.7
	10	619	619	26.5
1	150	604	-	53.5
	30	649	-	39.7
	10	619	-	27.4
2	150	562	562	51.8
	30	590	590	38.8
	10	576	576	27.4
10	150	392	43.2	48.4
	30	383	42.2	40.3
	10	215	23.7	36.0

$R_{SD} = 0\Omega$ ,  $I_S = 35\text{mA}$ ,  $V_S = \pm 15\text{V}$ , Peaking  $\leq 1\text{dB}$

$A_V$	$R_L (\Omega)$	$R_F (\Omega)$	$R_G (\Omega)$	-3dB BW (MHz)
-1	150	604	604	66.2
	30	649	649	48.4
	10	665	665	46.5
1	150	750	-	56.8
	30	866	-	35.4
	10	845	-	24.7
2	150	665	665	52.5
	30	715	715	38.9
	10	576	576	35.0
10	150	453	49.9	61.5
	30	432	47.5	43.1
	10	221	24.3	45.5

$R_{SD} = 7.5\text{k}\Omega$ ,  $I_S = 15\text{mA}$ ,  $V_S = \pm 5\text{V}$ , Peaking  $\leq 1\text{dB}$

$A_V$	$R_L (\Omega)$	$R_F (\Omega)$	$R_G (\Omega)$	-3dB BW (MHz)
-1	150	562	562	39.7
	30	619	619	28.9
	10	604	604	20.5
1	150	634	-	41.9
	30	681	-	29.7
	10	649	-	20.7
2	150	576	576	40.2
	30	604	604	29.6
	10	576	576	21.6
10	150	324	35.7	39.5
	30	324	35.7	32.3
	10	210	23.2	27.7

$R_{SD} = 47.5\text{k}\Omega$ ,  $I_S = 18\text{mA}$ ,  $V_S = \pm 15\text{V}$ , Peaking  $\leq 1\text{dB}$

$A_V$	$R_L (\Omega)$	$R_F (\Omega)$	$R_G (\Omega)$	-3dB BW (MHz)
-1	150	619	619	47.8
	30	698	698	32.3
	10	698	698	22.2
1	150	732	-	51.4
	30	806	-	33.9
	10	768	-	22.5
2	150	634	634	48.4
	30	698	698	33.0
	10	681	681	22.5
10	150	348	38.3	46.8
	30	357	39.2	36.7
	10	205	22.6	31.3

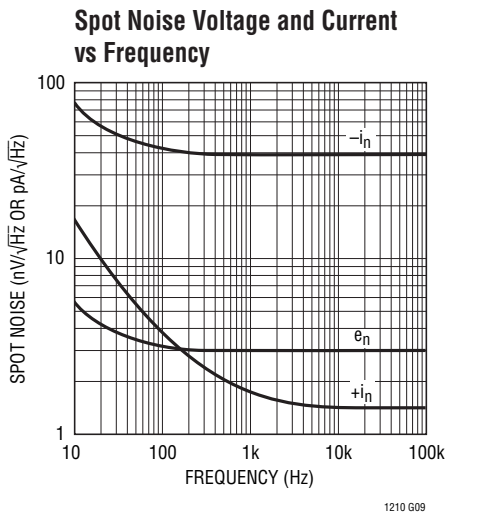
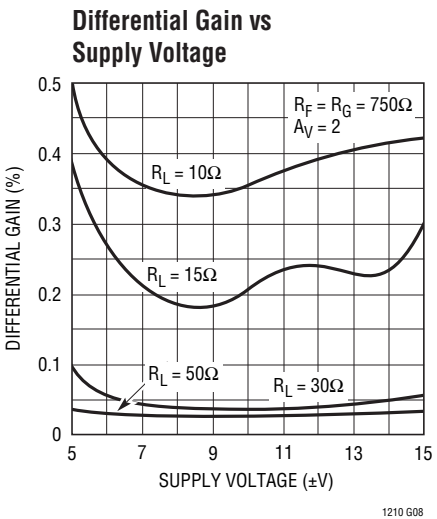
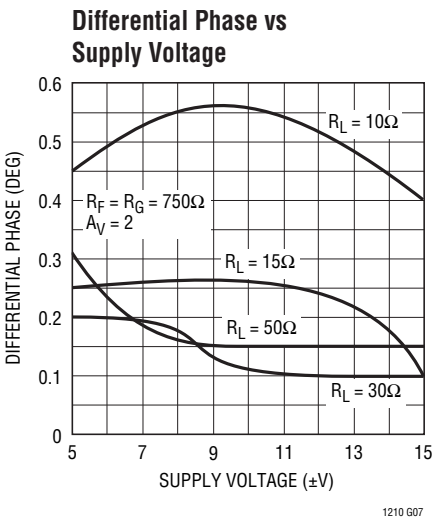
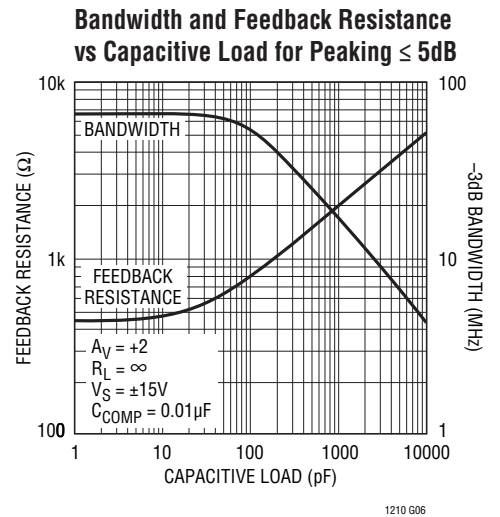
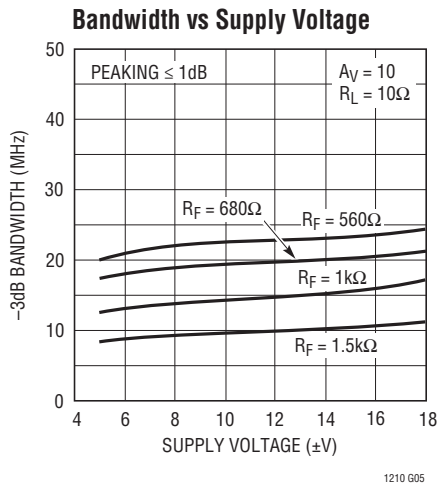
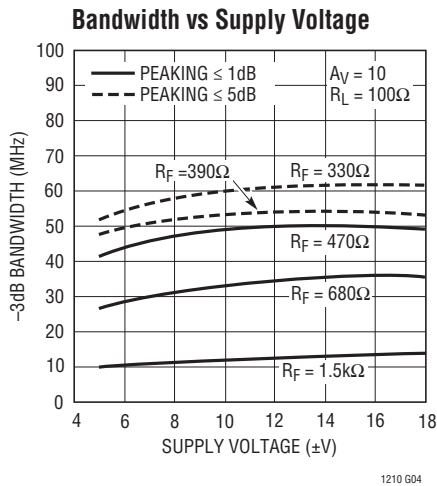
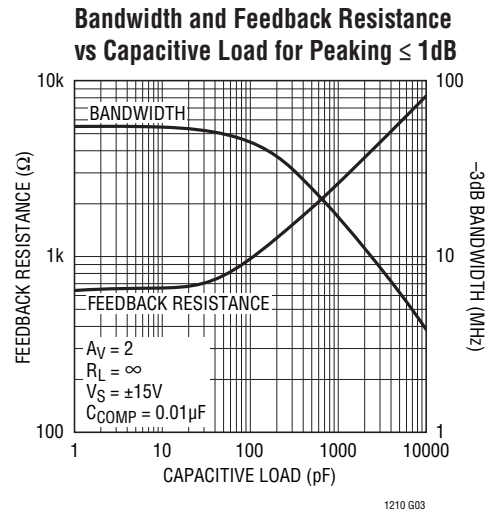
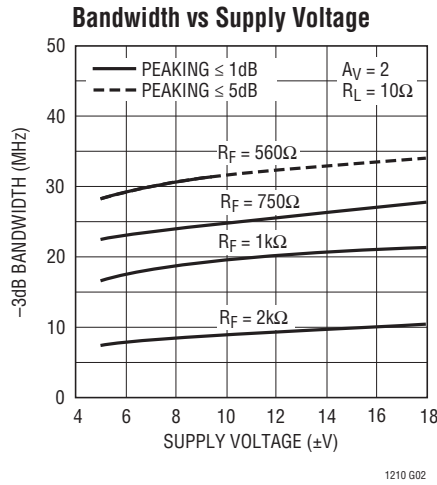
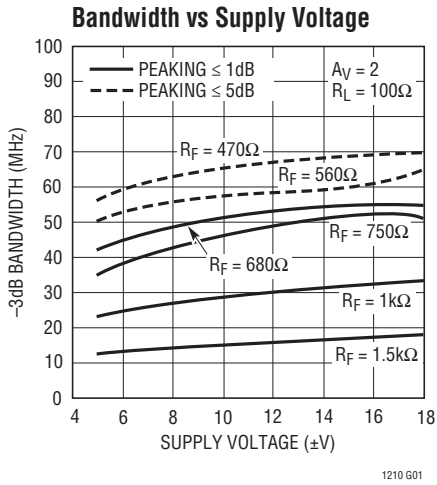
$R_{SD} = 15\text{k}\Omega$ ,  $I_S = 7.5\text{mA}$ ,  $V_S = \pm 5\text{V}$ , Peaking  $\leq 1\text{dB}$

$A_V$	$R_L (\Omega)$	$R_F (\Omega)$	$R_G (\Omega)$	-3dB BW (MHz)
-1	150	536	536	28.2
	30	549	549	20.0
	10	464	464	15.0
1	150	619	-	28.6
	30	634	-	19.8
	10	511	-	14.9
2	150	536	536	28.3
	30	549	549	19.9
	10	412	412	15.7
10	150	150	16.5	31.5
	30	118	13.0	27.1
	10	100	11.0	19.4

$R_{SD} = 82.5\text{k}\Omega$ ,  $I_S = 9\text{mA}$ ,  $V_S = \pm 15\text{V}$ , Peaking  $\leq 1\text{dB}$

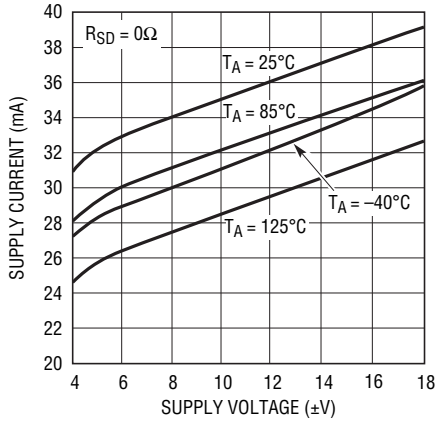
$A_V$	$R_L (\Omega)$	$R_F (\Omega)$	$R_G (\Omega)$	-3dB BW (MHz)
-1	150	590	590	34.8
	30	649	649	22.5
	10	576	576	16.3
1	150	715	-	35.5
	30	768	-	22.5
	10	649	-	16.1
2	150	590	590	35.3
	30	665	665	22.5
	10	549	549	16.8
10	150	182	20.0	37.2
	30	182	20.0	28.9
	10	100	11.0	22.5

TYPICAL PERFORMANCE CHARACTERISTICS



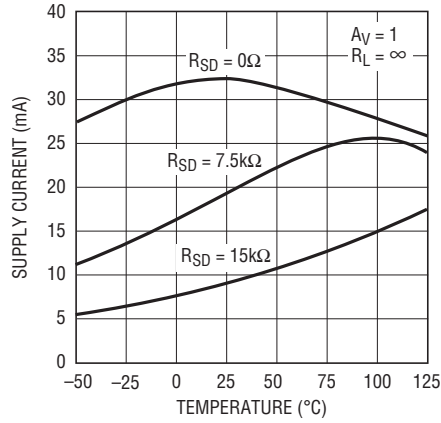
# TYPICAL PERFORMANCE CHARACTERISTICS

**Supply Current vs Supply Voltage**



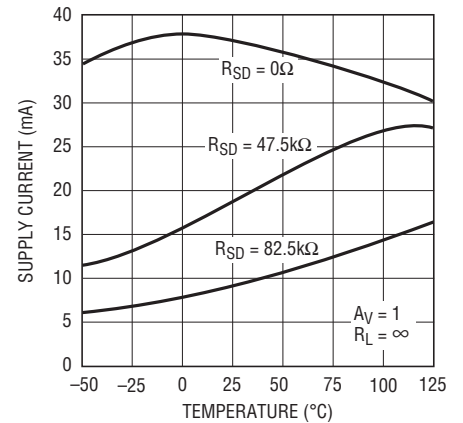
1210 G10

**Supply Current vs Ambient Temperature,  $V_S = \pm 5V$**



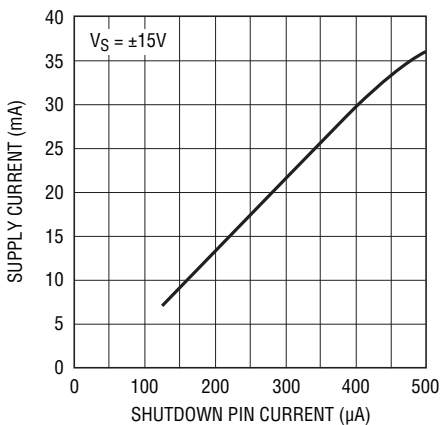
1210 G11

**Supply Current vs Ambient Temperature,  $V_S = \pm 15V$**



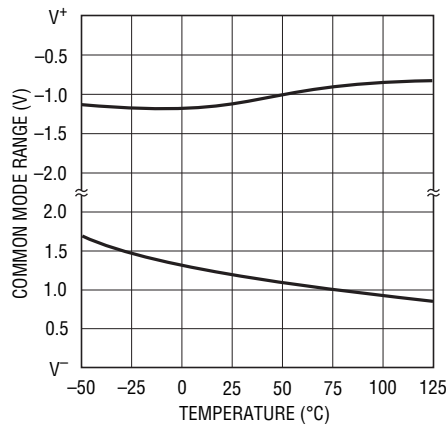
1210 G12

**Supply Current vs Shutdown Pin Current**



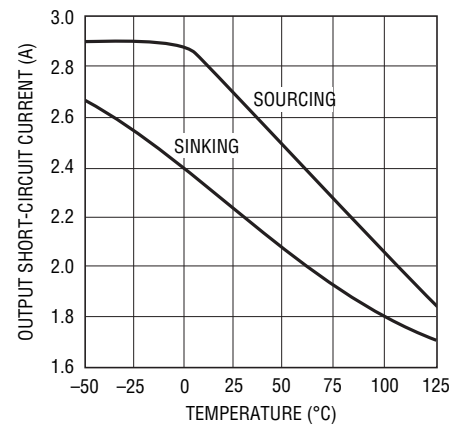
1210 G13

**Input Common Mode Limit vs Junction Temperature**



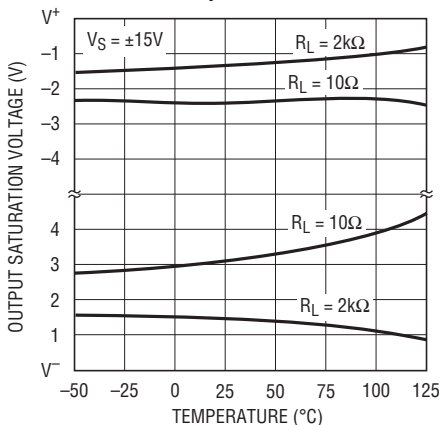
1210 G14

**Output Short-Circuit Current vs Junction Temperature**



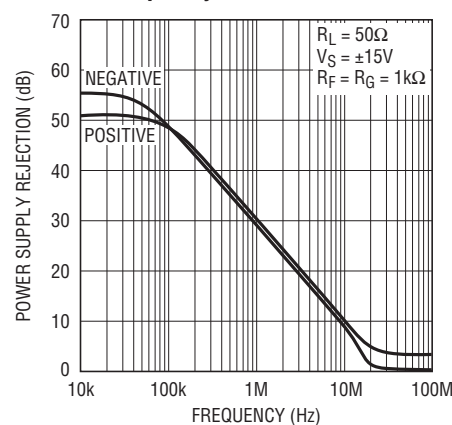
1210 G15

**Output Saturation Voltage vs Junction Temperature**



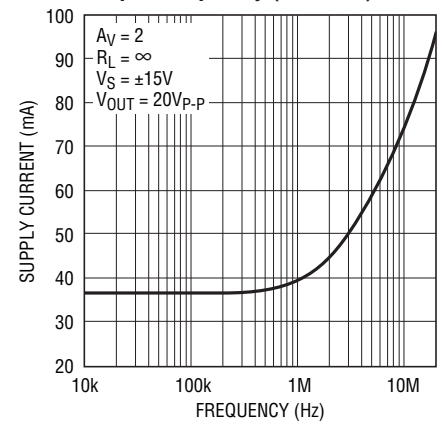
1210 G16

**Power Supply Rejection Ratio vs Frequency**



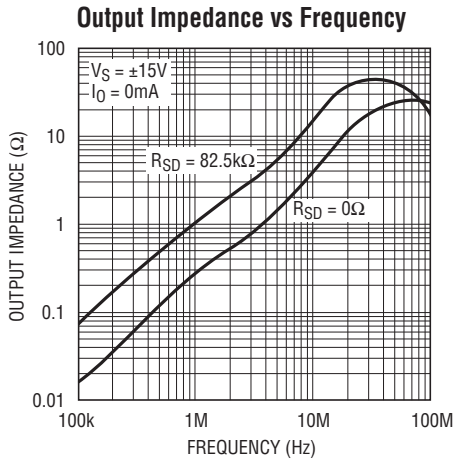
1210 G17

**Supply Current vs Large-Signal Output Frequency (No Load)**

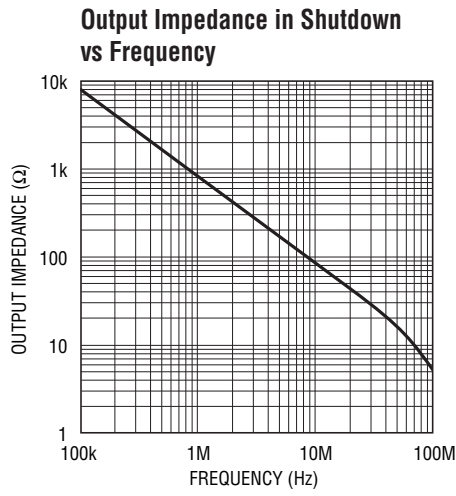


1210 G18

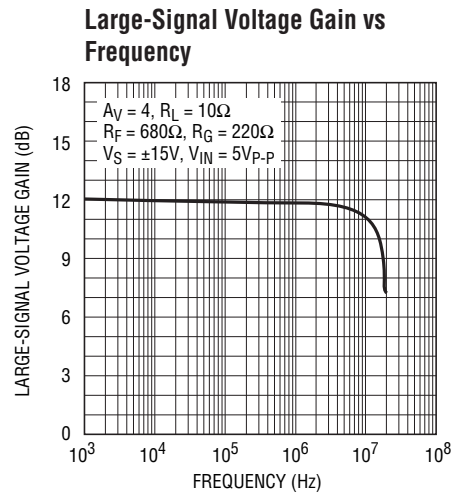
## TYPICAL PERFORMANCE CHARACTERISTICS



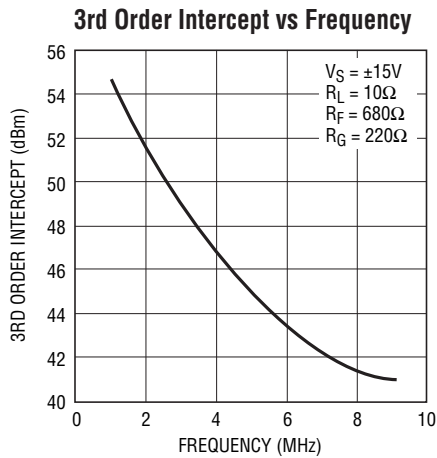
1210 G19



1210 G20

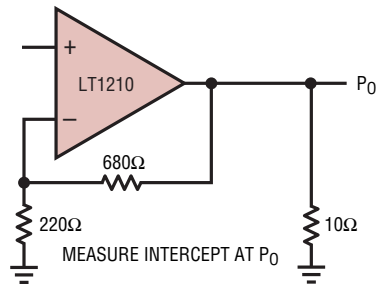


1210 G21



1210 G22

### Test Circuit for 3rd Order Intercept



1210 TC01



## APPLICATIONS INFORMATION

The LT1210 is a current feedback amplifier with high output current drive capability. The device is stable with large capacitive loads and can easily supply the high currents required by capacitive loads. The amplifier will drive low impedance loads such as cables with excellent linearity at high frequencies.

### Feedback Resistor Selection

The optimum value for the feedback resistors is a function of the operating conditions of the device, the load impedance and the desired flatness of response. The Typical AC Performance tables give the values which result in less than 1dB of peaking for various resistive loads and operating conditions. If this level of flatness is not required, a higher bandwidth can be obtained by use of a lower feedback resistor. The characteristic curves of Bandwidth vs Supply Voltage indicate feedback resistors for peaking up to 5dB. These curves use a solid line when the response has less than 1dB of peaking and a dashed line when the response has 1dB to 5dB of peaking. The curves stop where the response has more than 5dB of peaking.

For resistive loads, the COMP pin should be left open (see Capacitive Loads section).

### Capacitive Loads

The LT1210 includes an optional compensation network for driving capacitive loads. This network eliminates most of the output stage peaking associated with capacitive loads, allowing the frequency response to be flattened. Figure 1 shows the effect of the network on a 200pF load. Without the optional compensation, there is a 6dB peak at 40MHz caused by the effect of the capacitance on the output stage. Adding a 0.01μF bypass capacitor between the output and the COMP pins connects the compensation and greatly reduces the peaking. A lower value feedback resistor can now be used, resulting in a response which is flat to ±1dB to 40MHz. The network has the greatest effect for  $C_L$  in the range of 0pF to 1000pF. The graphs of Bandwidth and Feedback Resistance vs Capacitive Load can be used to select the appropriate value of feedback resistor. The values shown are for 1dB and 5dB peaking at a gain of 2 with no resistive load. This is a worst-case condition, as the amplifier is more stable at higher gains and with some resistive load in parallel with the capacitance.

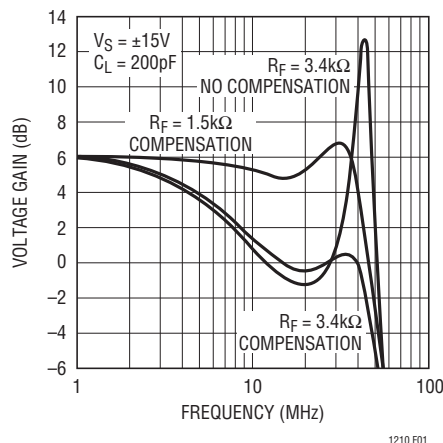


Figure 1.

Also shown is the -3dB bandwidth with the suggested feedback resistor vs the load capacitance.

Although the optional compensation works well with capacitive loads, it simply reduces the bandwidth when it is connected with resistive loads. For instance, with a 10Ω load, the bandwidth drops from 35MHz to 26MHz when the compensation is connected. Hence, the compensation was made optional. To disconnect the optional compensation, leave the COMP pin open.

### Shutdown/Current Set

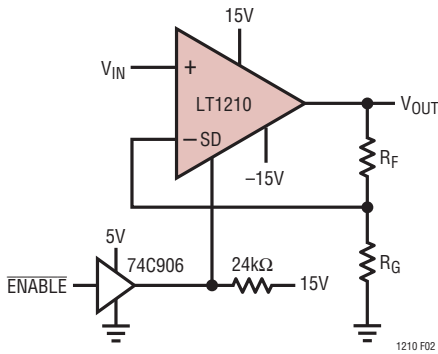
**If the shutdown feature is not used, the SHUTDOWN pin must be connected to ground or  $V^-$ .**

The Shutdown pin can be used to either turn off the biasing for the amplifier, reducing the quiescent current to less than 200μA, or to control the quiescent current in normal operation.

The total bias current in the LT1210 is controlled by the current flowing out of the Shutdown pin. When the Shutdown pin is open or driven to the positive supply, the part is shut down. In the shutdown mode, the output looks like a 70pF capacitor and the supply current is typically less than 100μA. The Shutdown pin is referenced to the positive supply through an internal bias circuit (see the Simplified Schematic). An easy way to force shutdown is to use open-drain (collector) logic. The circuit shown in Figure 2 uses a 74C906 buffer to interface between 5V logic and the LT1210. The switching time between the active and shutdown states is about 1μs. A 24kΩ pull-up

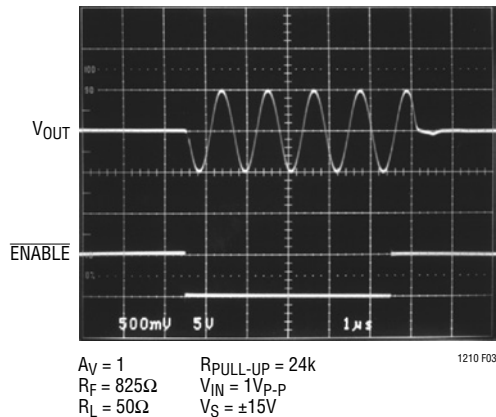
Rev C

## APPLICATIONS INFORMATION



**Figure 2. Shutdown Interface**

resistor speeds up the turn-off time and ensures that the LT1210 is completely turned off. Because the pin is referenced to the positive supply, the logic used should have a breakdown voltage of greater than the positive supply voltage. No other circuitry is necessary as the internal circuit limits the Shutdown pin current to about 500 $\mu$ A. Figure 3 shows the resulting waveforms.



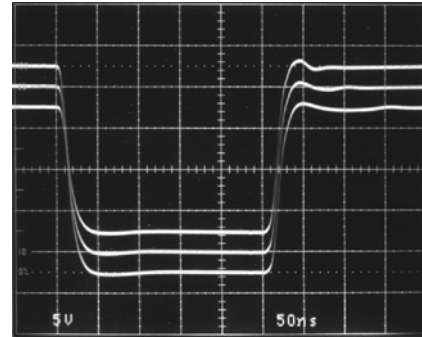
$A_V = 1$   $R_{PULL-UP} = 24k$   
 $R_F = 825\Omega$   $V_{IN} = 1V_{P-P}$   
 $R_L = 50\Omega$   $V_S = \pm 15V$

**Figure 3. Shutdown Operation**

For applications where the full bandwidth of the amplifier is not required, the quiescent current of the device may be reduced by connecting a resistor from the Shutdown pin to ground. The quiescent current will be approximately 65 times the current in the Shutdown pin. The voltage across the resistor in this condition is  $V^+ - 3V_{BE}$ . For example, a 82k $\Omega$  resistor will set the quiescent supply current to 9mA with  $V_S = \pm 15V$ .

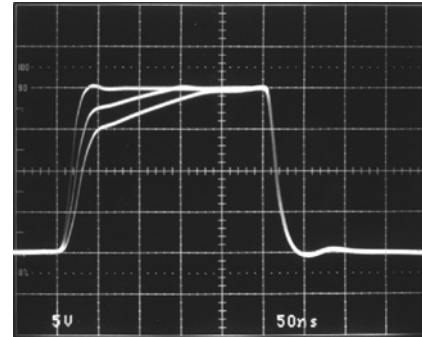
The photos in Figure 4 show the effect of reducing the quiescent supply current on the large-signal response. The

quiescent current can be reduced to 9mA in the inverting configuration without much change in response. In non-inverting mode, however, the slew rate is reduced as the quiescent current is reduced.



$R_F = 750\Omega$   $I_Q = 9mA, 18mA, 36mA$   
 $R_L = 10\Omega$   $V_S = \pm 15V$

**(a)  $A_V = -1$**



$R_F = 750\Omega$   $I_Q = 9mA, 18mA, 36mA$   
 $R_L = 10\Omega$   $V_S = \pm 15V$

**(b)  $A_V = 2$**

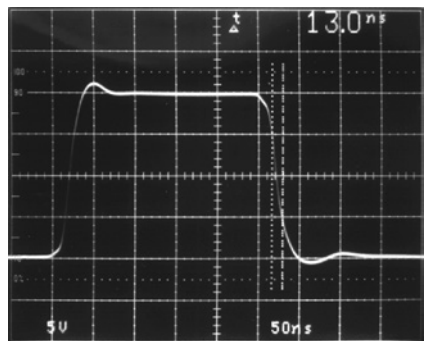
**Figure 4. Large-Signal Response vs  $I_Q$**

### Slew Rate

Unlike a traditional op amp, the slew rate of a current feedback amplifier is not independent of the amplifier gain configuration. There are slew rate limitations in both the input stage and the output stage. In the inverting mode, and for higher gains in the noninverting mode, the signal amplitude on the input pins is small and the overall slew rate is that of the output stage. The input stage slew rate is related to the quiescent current and will be reduced as the supply current is reduced. The output slew rate is set by the value of the feedback resistors and the internal capacitance. Larger feedback resistors will reduce the slew rate as will lower supply voltages, similar to the way

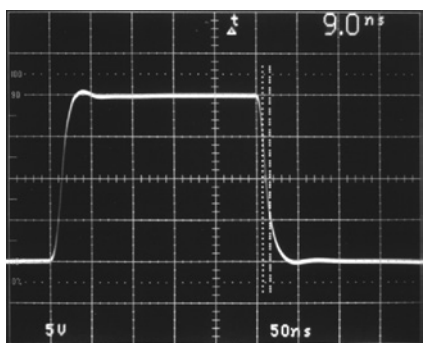
## APPLICATIONS INFORMATION

the bandwidth is reduced. The photos in Figure 5 show the large-signal response of the LT1210 for various gain configurations. The slew rate varies from 770V/μs for a gain of 1, to 1100V/μs for a gain of -1.



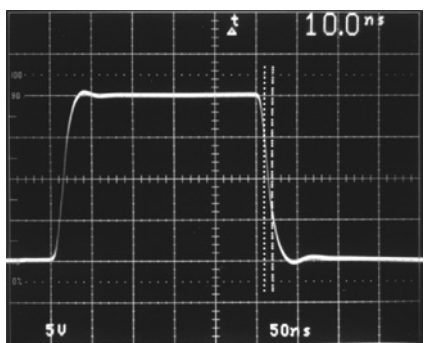
$R_F = 825\Omega$   $V_S = \pm 15V$   
 $R_L = 10\Omega$  1210 F05a

(a)  $A_V = 1$



$R_F = R_G = 750\Omega$   $V_S = \pm 15V$   
 $R_L = 10\Omega$  1210 F05b

(b)  $A_V = -1$

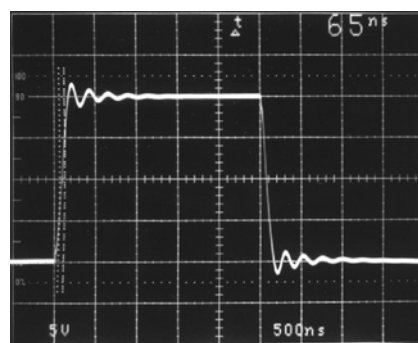


$R_F = R_G = 750\Omega$   $V_S = \pm 15V$   
 $R_L = 10\Omega$  1210 F05c

(c)  $A_V = 2$

Figure 5. Large-Signal Response

When the LT1210 is used to drive capacitive loads, the available output current can limit the overall slew rate. In the fastest configuration, the LT1210 is capable of a slew rate of over 1V/ns. The current required to slew a capacitor at this rate is 1mA per picofarad of capacitance, so 10,000pF would require 10A! The photo (Figure 6) shows the large-signal behavior with  $C_L = 10,000\text{pF}$ . The slew rate is about 150V/μs, determined by the current limit of 1.5A.



$R_F = R_G = 3k\Omega$   $V_S = \pm 15V$   
 $R_L = \infty$  1210 F06

Figure 6. Large-Signal Response,  $C_L = 10,000\text{pF}$

### Differential Input Signal Swing

The differential input swing is limited to about  $\pm 6V$  by an ESD protection device connected between the inputs. In normal operation, the differential voltage between the input pins is small, so this clamp has no effect; however, in the shutdown mode the differential swing can be the same as the input swing. The clamp voltage will then set the maximum allowable input voltage. To allow for some margin, it is recommended that the input signal be less than  $\pm 5V$  when the device is shut down.

### Capacitance on the Inverting Input

Current feedback amplifiers require resistive feedback from the output to the inverting input for stable operation. Take care to minimize the stray capacitance between the output and the inverting input. Capacitance on the inverting input to ground will cause peaking in the frequency response (and overshoot in the transient response), but it does not degrade the stability of the amplifier.

## APPLICATIONS INFORMATION

### Power Supplies

The LT1210 will operate from single or split supplies from  $\pm 5V$  (10V total) to  $\pm 15V$  (30V total). It is not necessary to use equal value split supplies, however the offset voltage and inverting input bias current will change. The offset voltage changes about  $500\mu V$  per volt of supply mismatch. The inverting bias current can change as much as  $5\mu A$  per volt of supply mismatch, though typically the change is less than  $0.5\mu A$  per volt.

### Power Supply Bypassing

To obtain the maximum output and the minimum distortion from the LT1210, the power supply rails should be well bypassed. For example, with the output stage pouring 1A current peaks into the load, a  $1\Omega$  power supply impedance will cause a droop of 1V, reducing the available output swing by that amount. Surface mount tantalum and ceramic capacitors make excellent low ESR bypass elements when placed close to the chip. For frequencies above 100kHz, use  $1\mu F$  and 100nF ceramic capacitors. If significant power must be delivered below 100kHz, capacitive reactance becomes the limiting factor. Larger ceramic or tantalum capacitors, such as  $4.7\mu F$ , are recommended in place of the  $1\mu F$  unit mentioned above.

Inadequate bypassing is evidenced by reduced output swing and “distorted” clipping effects when the output is driven to the rails. If this is observed, check the supply pins of the device for ripple directly related to the output waveform. Significant supply modulation indicates poor bypassing.

### Thermal Considerations

The LT1210 contains a thermal shutdown feature which protects against excessive internal (junction) temperature. If the junction temperature of the device exceeds the protection threshold, the device will begin cycling between normal operation and an off state. The cycling is not harmful to the part. The thermal cycling occurs at a slow rate, typically 10ms to several seconds, which depends on the power dissipation and the thermal time constants of the package and heat sinking. Raising the ambient temperature until the device begins thermal shutdown gives a good indication of how much margin there is in the thermal design.

For surface mount devices heat sinking is accomplished by using the heat spreading capabilities of the PC board and its copper traces. Experiments have shown that the heat spreading copper layer does not need to be electrically connected to the tab of the device. The PCB material can be very effective at transmitting heat between the pad area attached to the tab of the device, and a ground or power plane layer either inside or on the opposite side of the board. Although the actual thermal resistance of the PCB material is high, the length/area ratio of the thermal resistance between the layer is small. Copper board stiffeners and plated through holes can also be used to spread the heat generated by the device.

Table 1 and Table 2 list thermal resistance for each package. For the TO-220 package, thermal resistance is given for junction-to-case only since this package is usually mounted to a heat sink. Measured values of thermal resistance for several different board sizes and copper areas are listed for each surface mount package. All measurements were taken in still air on 3/32" FR-4 board with 2 oz copper. This data can be used as a rough guideline in estimating thermal resistance. The thermal resistance for each application will be affected by thermal interactions with other components as well as board size and shape.

**Table 1. R Package, 7-Lead DD**

COPPER AREA		BOARD AREA	THERMAL RESISTANCE (JUNCTION-TO-AMBIENT)
TOPSIDE*	BACKSIDE		
2500 sq. mm	2500 sq. mm	2500 sq. mm	25°C/W
1000 sq. mm	2500 sq. mm	2500 sq. mm	27°C/W
125 sq. mm	2500 sq. mm	2500 sq. mm	35°C/W

\*Tab of device attached to topside copper

**Table 2. Fused 16-Lead SO Package**

COPPER AREA		BOARD AREA	THERMAL RESISTANCE (JUNCTION-TO-AMBIENT)
TOPSIDE*	BACKSIDE		
2500 sq. mm	2500 sq. mm	5000 sq. mm	40°C/W
1000 sq. mm	2500 sq. mm	3500 sq. mm	46°C/W
600 sq. mm	2500 sq. mm	3100 sq. mm	48°C/W
180 sq. mm	2500 sq. mm	2680 sq. mm	49°C/W
180 sq. mm	1000 sq. mm	1180 sq. mm	56°C/W
180 sq. mm	600 sq. mm	780 sq. mm	58°C/W
180 sq. mm	300 sq. mm	480 sq. mm	59°C/W
180 sq. mm	100 sq. mm	280 sq. mm	60°C/W
180 sq. mm	0 sq. mm	180 sq. mm	61°C/W

## APPLICATIONS INFORMATION

### T7 Package, 7-Lead TO-220

Thermal Resistance (Junction-to-Case) = 5°C/W

### Calculating Junction Temperature

The junction temperature can be calculated from the equation:

$$T_J = (P_D)(\theta_{JA}) + T_A$$

where:

$T_J$  = Junction Temperature

$T_A$  = Ambient Temperature

$P_D$  = Device Dissipation

$\theta_{JA}$  = Thermal Resistance (Junction-to-Ambient)

As an example, calculate the junction temperature for the circuit in Figure 7 for the SO and R packages assuming a 70°C ambient temperature.

The device dissipation can be found by measuring the supply currents, calculating the total dissipation and then subtracting the dissipation in the load and feedback network.

$$P_D = (76\text{mA})(10\text{V}) - (1.4\text{V})^2 / 10 = 0.56\text{W}$$

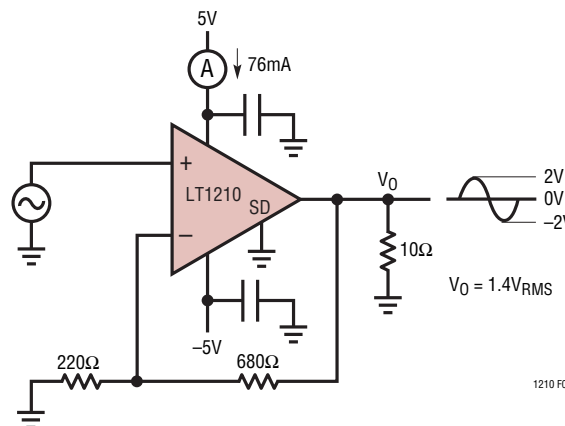


Figure 7.

then:

$$T_J = (0.56\text{W})(46^\circ\text{C/W}) + 70^\circ\text{C} = 96^\circ\text{C}$$

for the SO package with 1000 sq. mm topside heat sinking

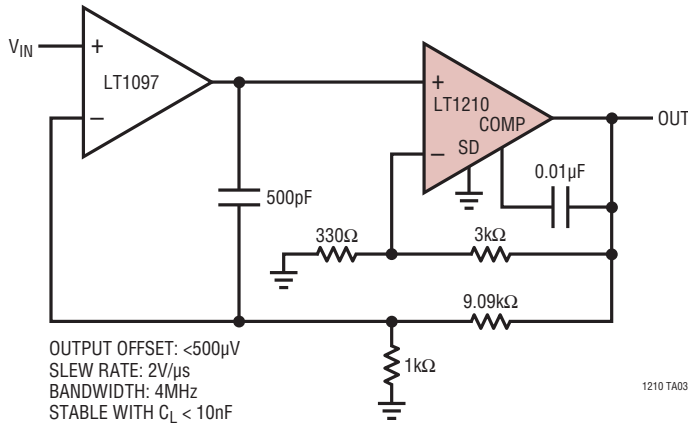
$$T_J = (0.56\text{W})(27^\circ\text{C/W}) + 70^\circ\text{C} = 85^\circ\text{C}$$

for the R package with 1000 sq. mm topside heat sinking

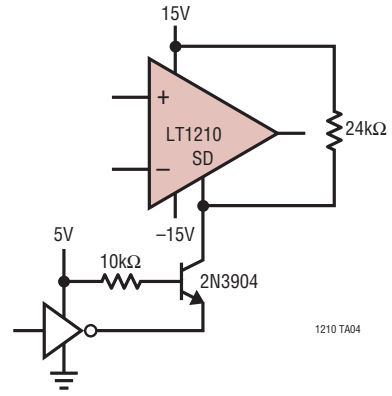
Since the maximum junction temperature is 150°C, both packages are clearly acceptable.

## TYPICAL APPLICATIONS

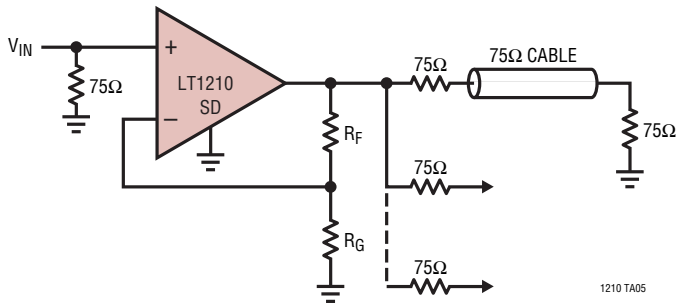
### Precision × 10 High Current Amplifier



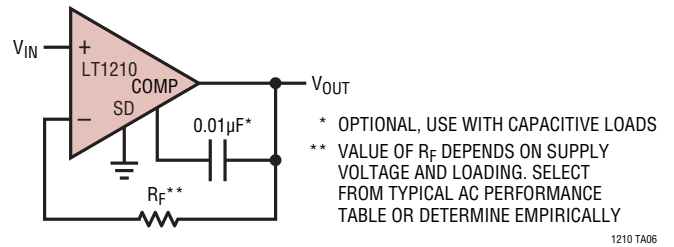
### CMOS Logic to Shutdown Interface



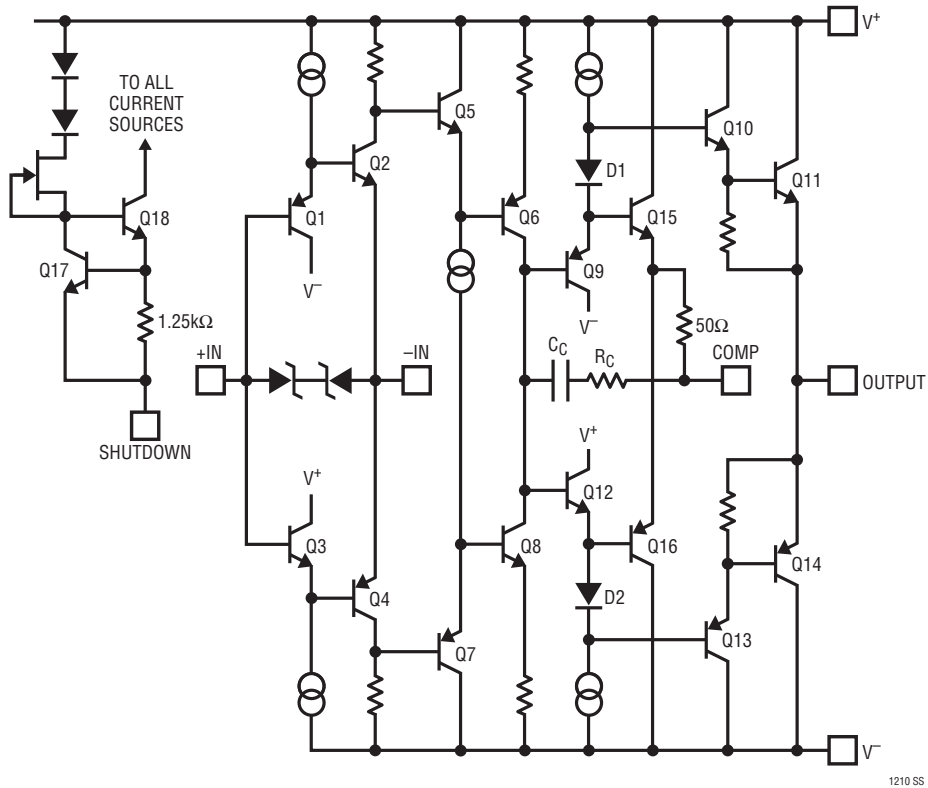
### Distribution Amplifier



### Buffer $A_V = 1$



**SIMPLIFIED SCHEMATIC**

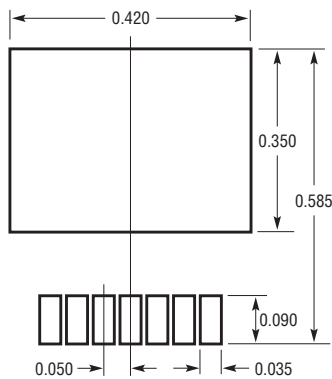
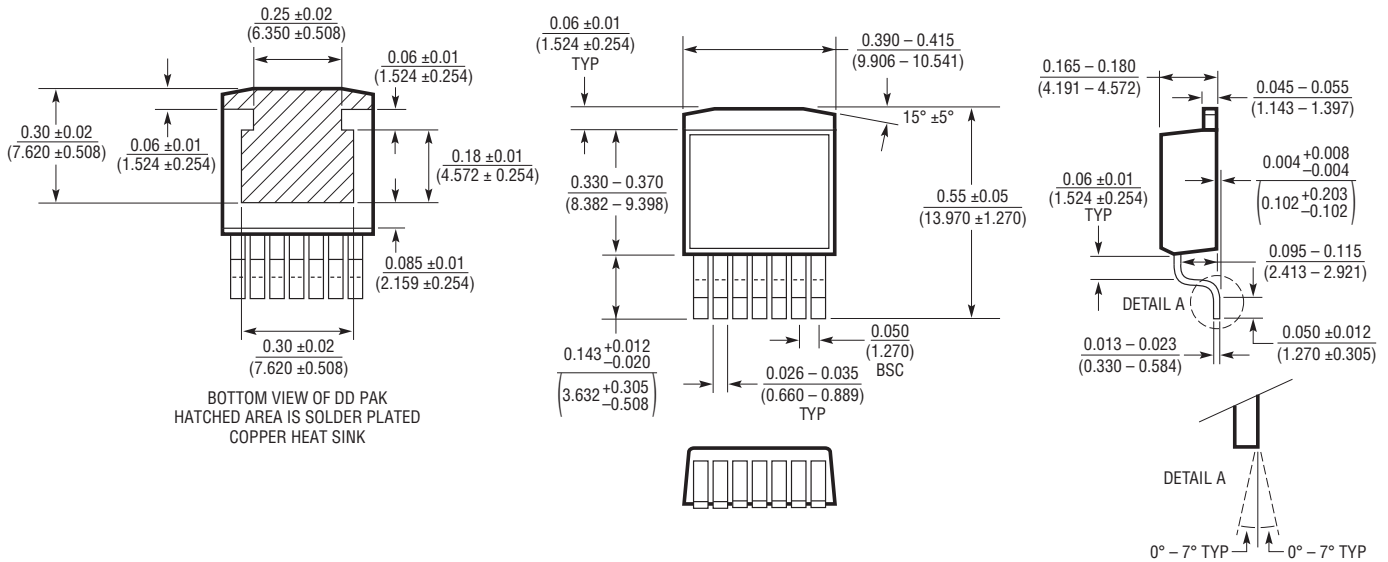


1210 SS

## PACKAGE DESCRIPTION

Please refer to <http://www.linear.com/product/LT1210#packaging> for the most recent package drawings.

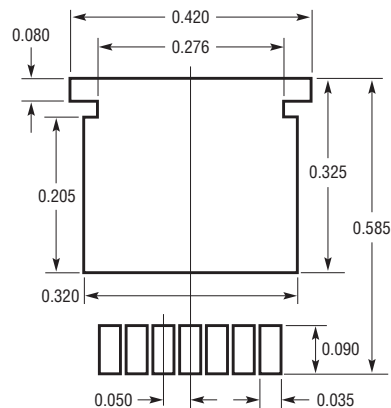
### R Package 7-Lead Plastic DD Pak (Reference LTC DWG # 05-08-1462 Rev G)



RECOMMENDED SOLDER PAD LAYOUT

NOTE:

1. DIMENSIONS IN INCH/(MILLIMETER)
2. DRAWING NOT TO SCALE



RECOMMENDED SOLDER PAD LAYOUT  
FOR THICKER SOLDER PASTE APPLICATIONS

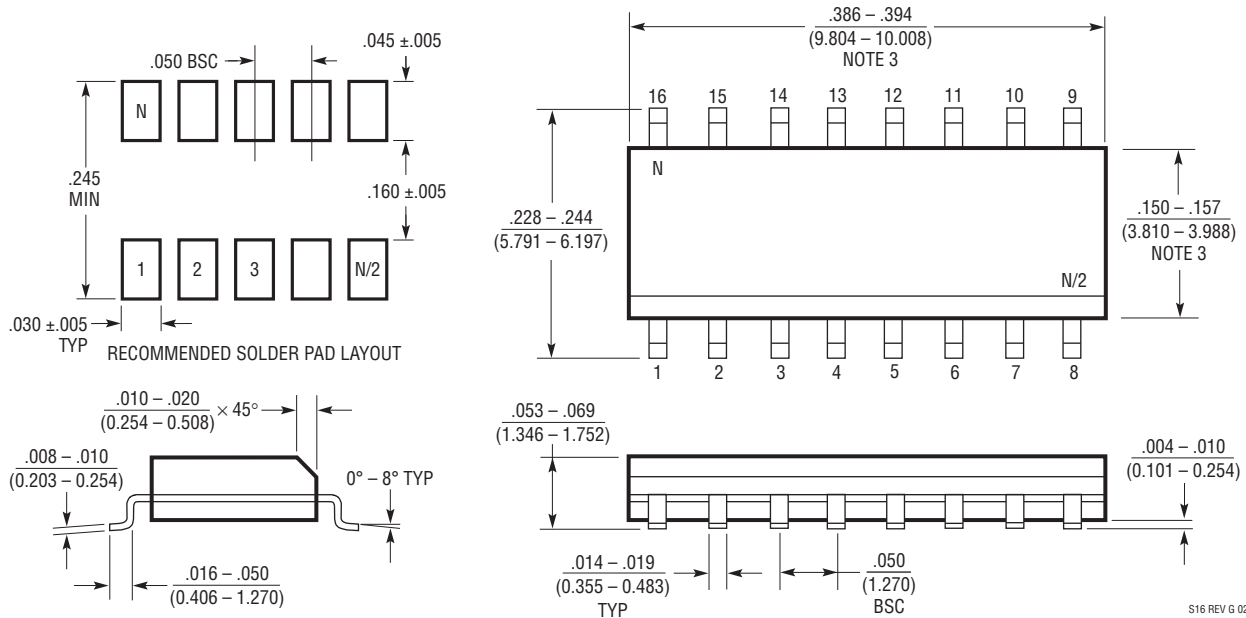
R (007) 0416 REV G



# PACKAGE DESCRIPTION

Please refer to <http://www.linear.com/product/LT1210#packaging> for the most recent package drawings.

## S Package 16-Lead Plastic Small Outline (Narrow .150 Inch) (Reference LTC DWG # 05-08-1610 Rev G)



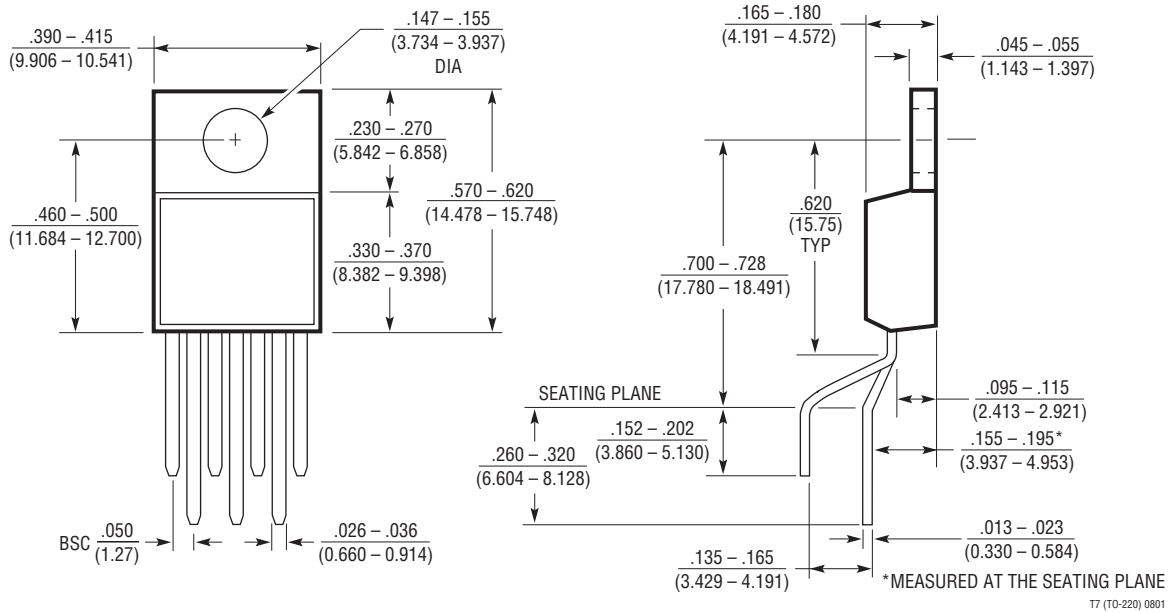
- NOTE:
1. DIMENSIONS IN  $\frac{\text{INCHES}}{\text{MILLIMETERS}}$
  2. DRAWING NOT TO SCALE
  3. THESE DIMENSIONS DO NOT INCLUDE MOLD FLASH OR PROTRUSIONS.  
MOLD FLASH OR PROTRUSIONS SHALL NOT EXCEED  $.006''$  (0.15mm)
  4. PIN 1 CAN BE BEVEL EDGE OR A DIMPLE

S16 REV G 0212

## PACKAGE DESCRIPTION

Please refer to <http://www.linear.com/product/LT1210#packaging> for the most recent package drawings.

### T7 Package 7-Lead Plastic TO-220 (Standard) (Reference LTC DWG # 05-08-1422)



**REVISION HISTORY** (Revision history begins at Rev B)

REV	DATE	DESCRIPTION	PAGE NUMBER
B	11/15	Added LT1210IR#PBF	1 to 3, 20
C	04/18	Added Ohmic symbols	1 to 20