

FEATURES

- Low Cost
- Current Feedback Amplifier
- Differential Gain: 0.01%, $R_L = 150\Omega$, $V_S = \pm 5V$
- Differential Phase: 0.09°, $R_L = 150\Omega$, $V_S = \pm 5V$
- Flat to 30MHz, 0.1dB
- 100MHz Bandwidth on $\pm 5V$
- Wide Supply Range: $\pm 2V(4V)$ to $\pm 14V(28V)$
- Low Power: 85mW at $\pm 5V$

APPLICATIONS

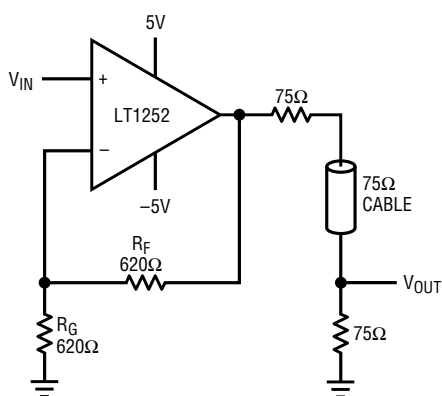
- RGB Cable Drivers
- Composite Video Cable Drivers
- Gain Blocks in IF Stages

DESCRIPTION

The LT1252 is a low cost current feedback amplifier for video applications. The LT1252 is ideal for driving low impedance loads such as cables and filters. The wide bandwidth and high slew rate of this amplifier make driving RGB signals between PCs and workstations easy. The linearity of the LT1252 is outstanding; it is unsurpassed for driving composite video.

The LT1252 is available in the 8-pin DIP and the S8 surface mount package. For higher performance and shutdown operation, see the LT1227. For dual and quad amplifiers with similar performance see the LT1253/LT1254.

TYPICAL APPLICATION

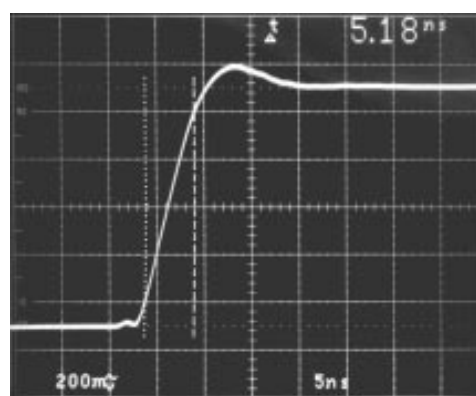


$$A_V = 1 + \frac{R_F}{R_G} \quad BW = 100\text{MHz}$$

AT AMPLIFIER OUTPUT.
6dB LESS AT V_{OUT} .

LT1252 • TA01

Transient Response

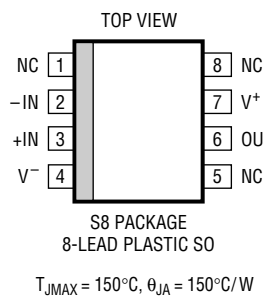
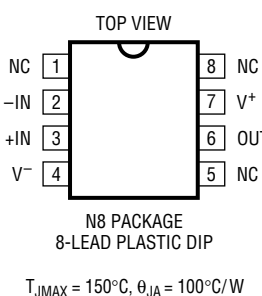

 $V_S = \pm 5V$
 $A_V = 2$
 $R_L = 150\Omega$
 $V_0 = 1V$

LT1252 • TA02

ABSOLUTE MAXIMUM RATINGS

Total Supply Voltage (V^+ to V^-)	28V	Storage Temperature Range	-65°C to 150°C
Input Current	$\pm 15\text{mA}$	Junction Temperature (Note 2)	150°C
Output Short-Circuit Duration (Note 1)	Continuous	Lead Temperature (Soldering, 10 sec)	300°C
Operating Temperature Range	0°C to 70°C		

PACKAGE/ORDER INFORMATION

 <p>S8 PACKAGE 8-LEAD PLASTIC SO $T_{JMAX} = 150^\circ\text{C}, \theta_{JA} = 150^\circ\text{C/W}$</p>	ORDER PART NUMBER	 <p>N8 PACKAGE 8-LEAD PLASTIC DIP $T_{JMAX} = 150^\circ\text{C}, \theta_{JA} = 100^\circ\text{C/W}$</p>	ORDER PART NUMBER
	LT1252GS8		LT1252CN8
	S8 PART MARKING		
	1252		

ELECTRICAL CHARACTERISTICS $0^\circ\text{C} \leq T_A \leq 70^\circ\text{C}, V_S = \pm 5\text{V}$ to $\pm 12\text{V}$, unless otherwise noted.

SYMBOL	PARAMETER	CONDITIONS	MIN	TYP	MAX	UNITS
V_{OS}	Input Offset Voltage			5	15	mV
$+I_B$	Noninverting Bias Current			1	15	μA
$-I_B$	Inverting Bias Current			20	100	μA
A_{VOL}	Large-Signal Voltage Gain	$V_S = \pm 5\text{V}, V_O = \pm 2\text{V}, R_L = 150\Omega$	560	1500		V/V
PSRR	Power Supply Rejection Ratio	$V_S = \pm 3\text{V}$ to $\pm 12\text{V}$	60	70		dB
CMRR	Common-Mode Rejection Ratio	$V_S = \pm 5\text{V}, V_{CM} = \pm 2\text{V}$	55	65		dB
V_{OUT}	Maximum Output Voltage Swing	$V_S = \pm 12\text{V}, R_L = 500\Omega$ $V_S = \pm 5\text{V}, R_L = 150\Omega$	± 7.0 ± 2.5	± 10.5 ± 3.7		V V
I_{OUT}	Maximum Output Current		30	55		mA
I_S	Supply Current			8.5	18	mA
R_{IN}	Input Resistance		1	10		M Ω
C_{IN}	Input Capacitance			3		pF
	Power Supply Range	Dual	± 2		± 12	V
		Single	4		24	V
SR	Input Slew Rate	$A_V = 1$		125		V/ μs
	Output Slew Rate	$A_V = 2$		250		V/ μs

ELECTRICAL CHARACTERISTICS $0^{\circ}\text{C} \leq T_A \leq 70^{\circ}\text{C}$, $V_S = \pm 5\text{V}$ to $\pm 12\text{V}$, unless otherwise noted.

SYMBOL	PARAMETER	CONDITIONS	MIN	TYP	MAX	UNITS
t_r	Small-Signal Rise Time	$V_S = \pm 12\text{V}$, $A_V = 2$		3.5		ns
	Rise and Fall Time	$V_S = \pm 5\text{V}$, $A_V = 2$, $V_{OUT} = 1V_{P-P}$		5.2		ns
t_p	Propagation Delay	$V_S = \pm 5\text{V}$, $A_V = 2$		3.5		ns

Note 1: A heat sink may be required to keep the junction temperature below absolute maximum when the output is shorted indefinitely.

LT1252CN8: $T_J = T_A + (P_D \times 100^{\circ}\text{C}/\text{W})$

LT1252CS8: $T_J = T_A + (P_D \times 150^{\circ}\text{C}/\text{W})$

Note 2: T_J is calculated from the ambient temperature T_A and power dissipation P_D according to the following formulas:

TYPICAL AC PERFORMANCE

BANDWIDTH

V_S	A_V	R_L	R_F	R_G	SMALL SIGNAL -3dB BW (MHz)	SMALL SIGNAL -0.1dB BW (MHz)	SMALL SIGNAL PEAKING (dB)
±12	1	150	2370	None	282	45	1.9
±12	-1	1000	1100	1100	58	17	0.1
±12	-1	150	909	909	73	34	0.1
±12	2	1000	1210	1210	253	20	0.1
±12	2	150	909	909	142	38	0.1
±12	5	1000	1000	249	73	25	0.1
±12	5	150	866	215	75	31	0.1
±12	10	1000	909	100	67	26	0.1
±12	10	150	768	84.5	69	32	0.1
±5	1	1000	2210	None	260	10	2.4
±5	1	150	1300	None	232	50	0.8
±5	-1	1000	1000	1000	50	11	0.1
±5	-1	150	732	732	69	34	0.1
±5	2	1000	909	909	133	24	0.1
±5	2	150	787	787	100	30	0.1
±5	5	1000	825	205	62	21	0.1
±5	5	150	698	174	66	30	0.1
±5	10	1000	750	82.5	58	22	0.1
±5	10	150	619	68.1	60	30	0.1

NTSC VIDEO (Note 1)

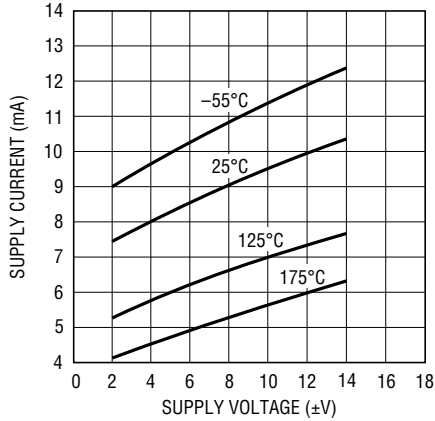
V_S	A_V	R_L	R_F	R_G	DIFFERENTIAL GAIN	DIFFERENTIAL PHASE
±12	2	1000	1000	1000	0.02%	0.02°
±12	2	150	1000	1000	0.03%	0.04°
±5	2	1000	1000	1000	0.02%	0.08°
±5	2	150	1000	1000	0.01%	0.09°

Note 1: Differential Gain and Phase are measured using a Tektronix TSG 120 YC/NTSC signal generator and a Tektronix 1780R Video Measurement Set. The resolution of this equipment is 0.1% and 0.1°. Ten identical

amplifier stages were cascaded giving an effective resolution of 0.01% and 0.01°.

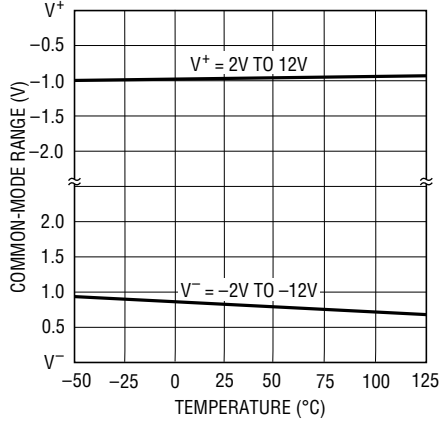
TYPICAL PERFORMANCE CHARACTERISTICS

Supply Current vs Supply Voltage



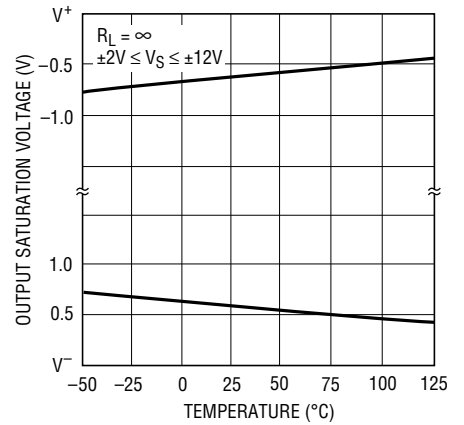
LT1252 • TPC01

Input Common-Mode Limit vs Temperature



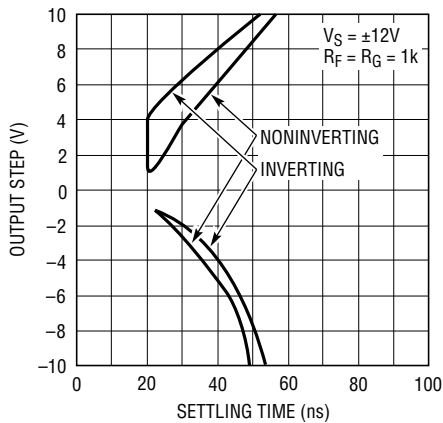
LT1252 • TPC02

Output Saturation Voltage vs Temperature



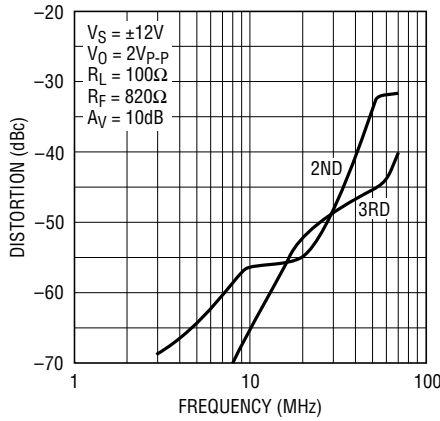
LT1252 • TPC03

Settling Time to 10mV vs Output Step



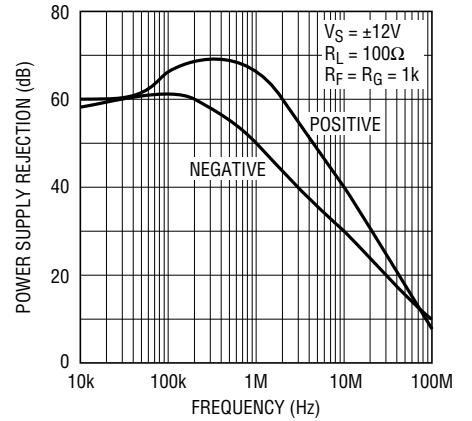
LT1252 • TPC04

2nd and 3rd Harmonic Distortion vs Frequency



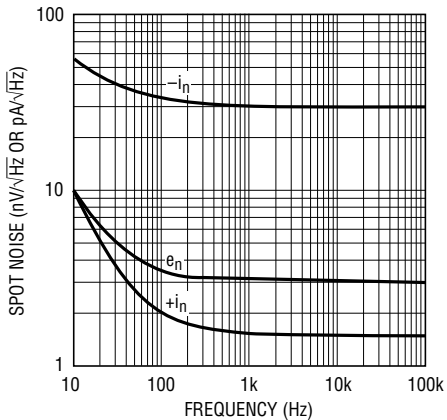
LT1252 • TPC05

Power Supply Rejection vs Frequency



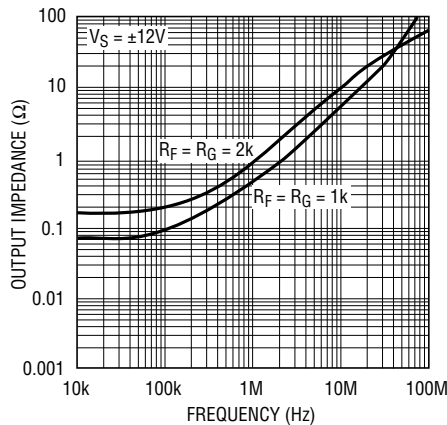
LT1252 • TPC06

Spot Noise Voltage and Current vs Frequency



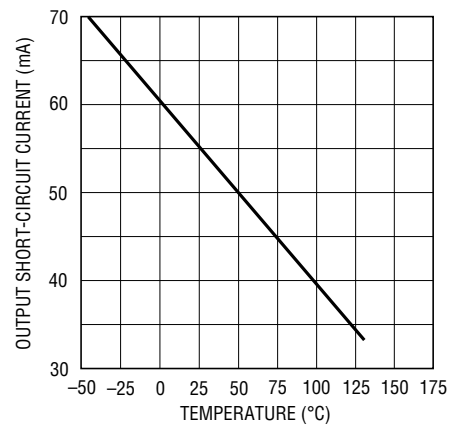
LT1252 • TPC07

Output Impedance vs Frequency



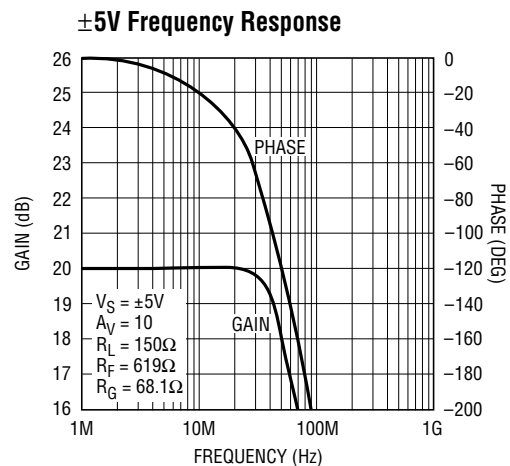
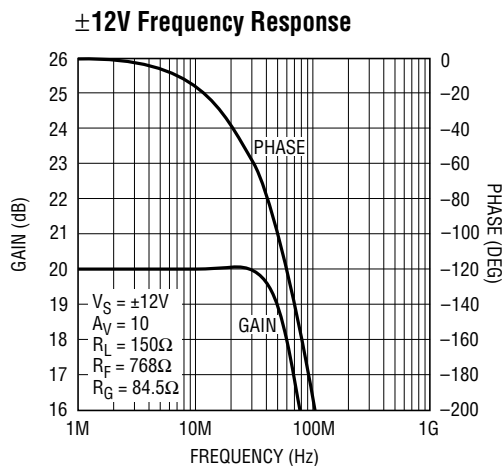
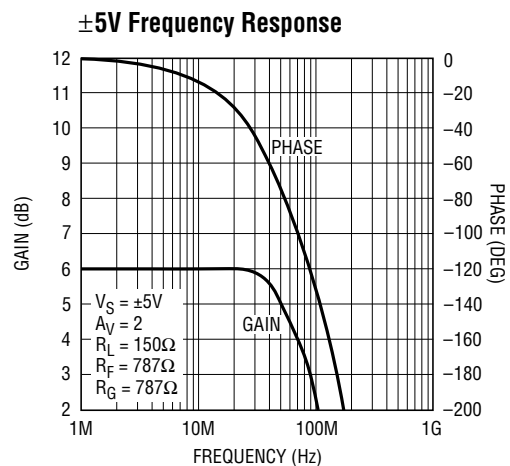
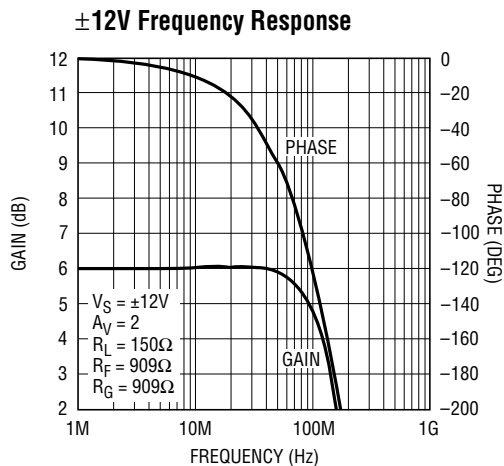
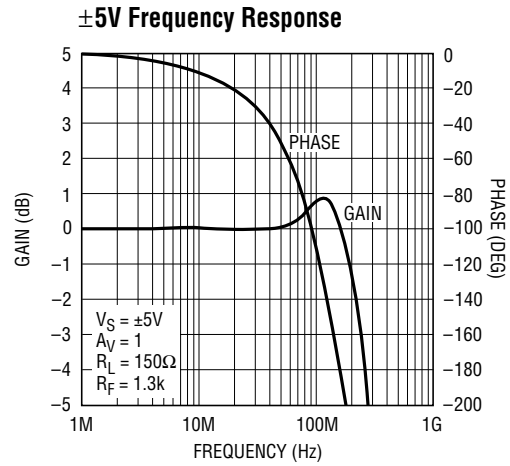
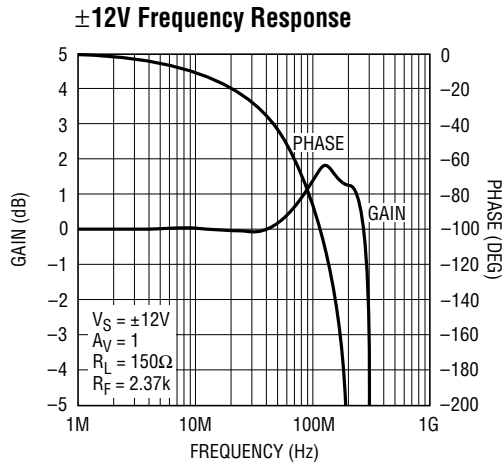
LT1252 • TPC08

Output Short-Circuit Current vs Junction Temperature



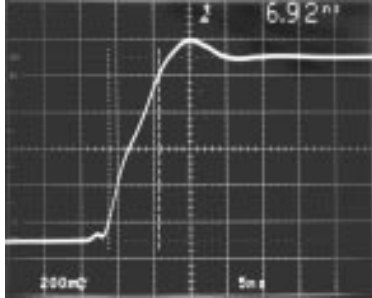
LT1252 • TPC09

TYPICAL PERFORMANCE CHARACTERISTICS



TYPICAL PERFORMANCE CHARACTERISTICS

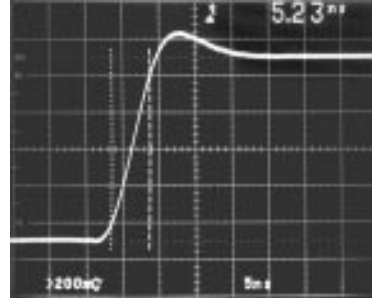
Transient Response



$V_S = \pm 5V$
 $A_V = 1$
 $R_L = 150\Omega$
 $R_F = 619\Omega$
 $V_O = 1V$

LT1252 • TPC16

Transient Response

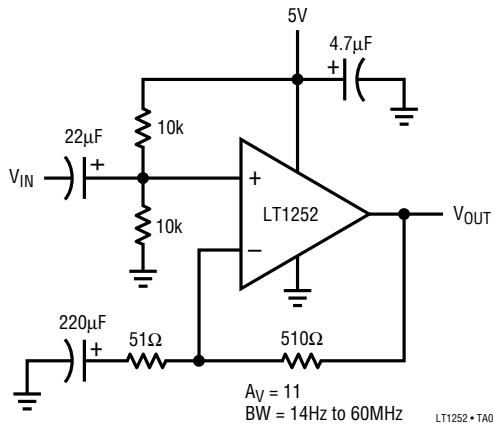


$V_S = \pm 5V$ $R_F = 619\Omega$
 $A_V = 10$ $R_G = 68.1\Omega$
 $R_L = 150\Omega$ $V_O = 1.5V$

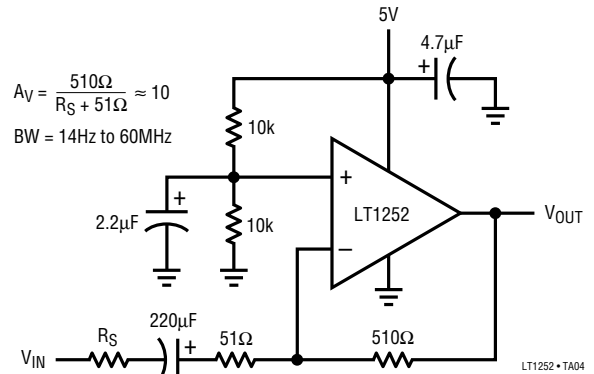
LT1252 • TPC17

TYPICAL APPLICATIONS

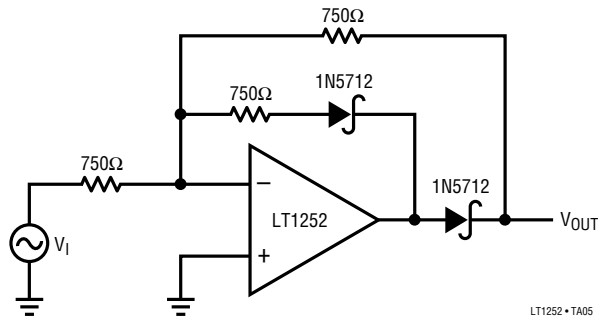
Single Supply AC-Coupled Amplifier
Noninverting



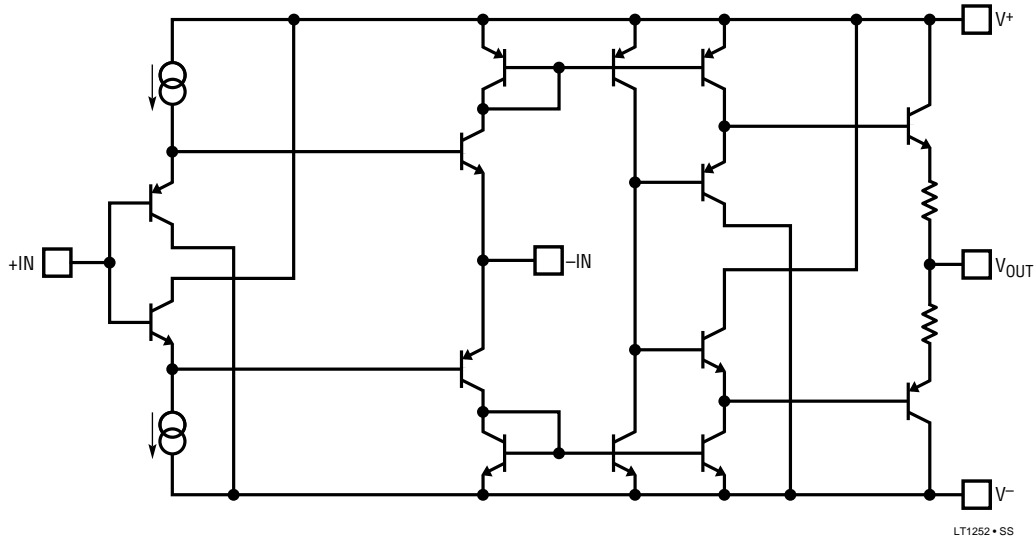
Single Supply AC-Coupled Amplifier
Inverting



Half Wave Rectifier



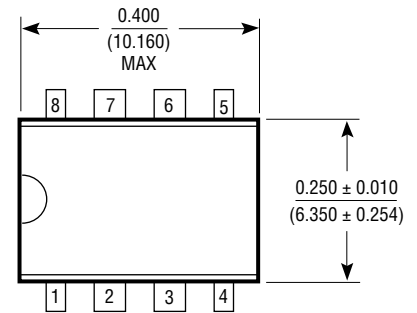
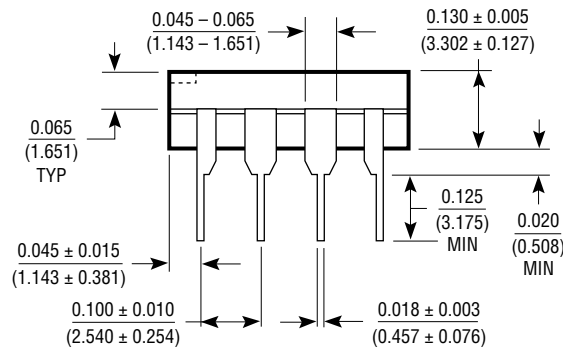
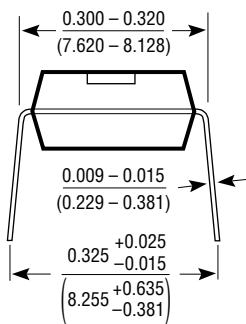
SIMPLIFIED SCHEMATIC



LT1252 • SS

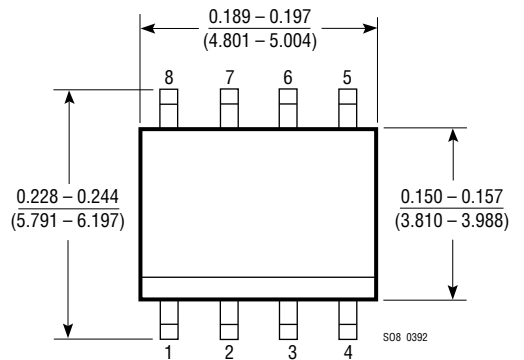
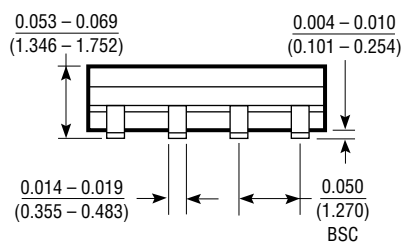
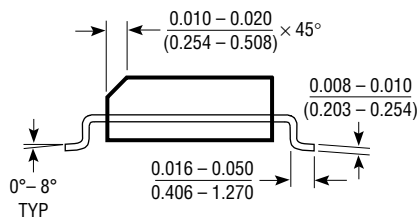
PACKAGE DESCRIPTION Dimensions in inches (millimeters) unless otherwise noted.

N8 Package 8-Lead Plastic DIP



N8 0392

S8 Package 8-Lead Plastic SOIC



S08 0392