

# 5V Low Power RS232 3-Driver/5-Receiver Transceiver with 5 Receivers Active in Shutdown

## FEATURES

- **Low Supply Current: 300 $\mu$ A**
- **Five Receivers Kept Alive in Shutdown**
- ESD Protection Over  $\pm 10$ kV
- Operates from a Single 5V Supply
- Uses Small Capacitors: 0.1 $\mu$ F
- Operates to 120kBaud
- Three-State Outputs Are High Impedance When Off
- Output Overvoltage Does Not Force Current Back into Supplies
- RS232 I/O Lines Can Be Forced to  $\pm 25$ V Without Damage
- Pin Compatible with LT1137A and LT1237
- Flowthrough Architecture

## APPLICATIONS

- Notebook Computers
- Palmtop Computers

## DESCRIPTION

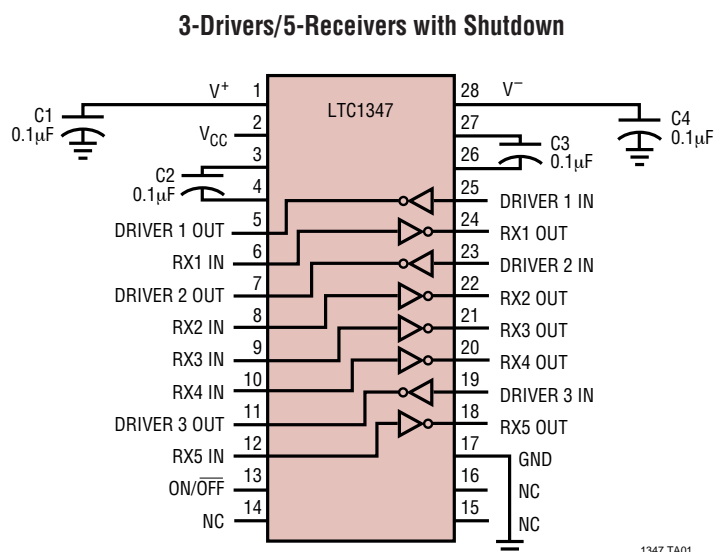
The LTC<sup>®</sup>1347 is a 3-driver/5-receiver RS232 transceiver with very low supply current. In the no load condition, the supply current is only 300 $\mu$ A. The charge pump only requires four 0.1 $\mu$ F capacitors.

In Shutdown mode, all five receivers are kept alive and the supply current is 80 $\mu$ A. All RS232 outputs assume a high impedance state in Shutdown and with the power off.

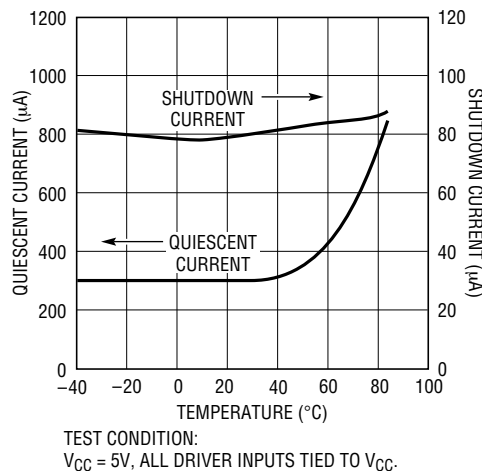
The LTC1347 is fully compliant with all data rate and overvoltage RS232 specifications. The transceiver can operate up to 120kbaud with a 2500pF, 3k $\Omega$  load. Both driver outputs and receiver inputs can be forced to  $\pm 25$ V without damage, and can survive multiple  $\pm 10$ kV ESD strikes.

LT, LTC and LT are registered trademarks of Linear Technology Corporation.

## TYPICAL APPLICATION



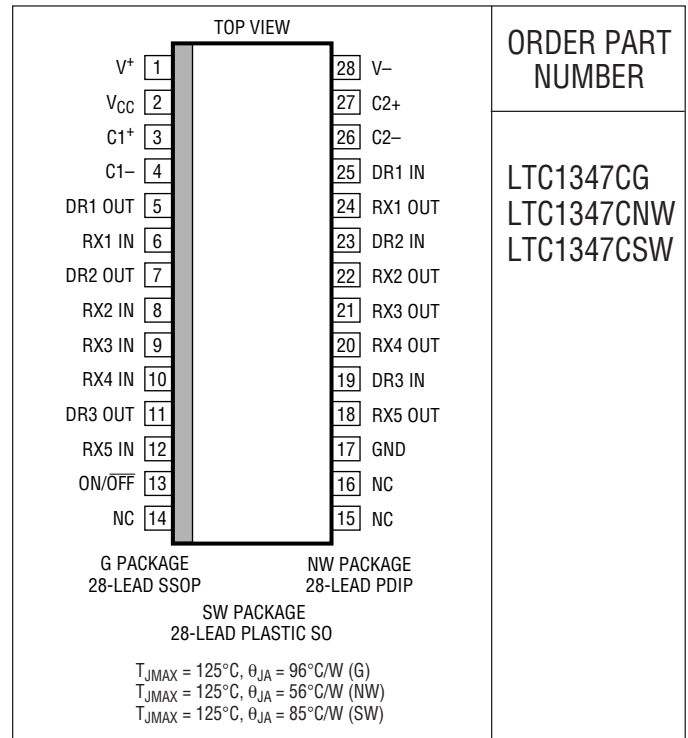
**Quiescent and Shutdown Supply Current  
vs Temperature**



## ABSOLUTE MAXIMUM RATINGS

Supply Voltage ( $V_{CC}$ ) .....	6V
Input Voltage	
Driver .....	-0.3V to $V_{CC} + 0.3V$
Receiver .....	-25V to 25V
On/Off Pin .....	-0.3V to $V_{CC} + 0.3V$
Output Voltage	
Driver .....	-25V to 25V
Receiver .....	-0.3V to $V_{CC} + 0.3V$
Short-Circuit Duration	
$V^+$ .....	30 sec
$V^-$ .....	30 sec
Driver Output .....	Indefinite
Receiver Output .....	Indefinite
Operating Temperature Range .....	0°C to 70°C
Storage Temperature Range .....	-65°C to 150°C
Lead Temperature (Soldering, 10 sec) .....	300°C

## PACKAGE/ORDER INFORMATION



Consult LTC Marketing for parts specified with wider operating temperature ranges.

## DC ELECTRICAL CHARACTERISTICS

The ● denotes specifications which apply over the full operating temperature range.  $V_{CC} = 5V$ ,  $C1 = C2 = C3 = C4 = 0.1\mu F$ , unless otherwise noted.

PARAMETER	CONDITIONS	MIN	TYP	MAX	UNITS	
<b>Any Driver</b>						
Output Voltage Swing	3k to GND	Positive	● 5.0	7.0	V	
		Negative	● -5.0	-6.5	V	
Logic Input Voltage Level	Input Low Level ( $V_{OUT} = \text{High}$ )	●	1.4	0.8	V	
	Input High Level ( $V_{OUT} = \text{Low}$ )	●	2.0	1.4	V	
Logic Input Current	$V_{IN} = 5V$	●		5	$\mu A$	
	$V_{IN} = 0V$	●		-5	$\mu A$	
Output Short-Circuit Current	$V_{OUT} = 0V$	±9	±12		mA	
Output Leakage Current	Shutdown, $V_{OUT} = \pm 20V$ (Note 3)	±10	±500		$\mu A$	
<b>Any Receiver</b>						
Input Voltage Thresholds	Input Low Threshold	●	0.8	1.3	V	
	Input High Threshold	●		1.7	2.4	V
Hysteresis		●	0.1	0.4	1.0	V
Input Resistance	$V_{IN} = \pm 10V$		3	5	7	k $\Omega$
Output Voltage	Output Low, $I_{OUT} = -1.6mA$ ( $V_{CC} = 5V$ )	●		0.2	0.4	V
	Output High, $I_{OUT} = 160\mu A$ ( $V_{CC} = 5V$ )	●	3.5	4.8		V
Output Short-Circuit Current	Sinking Current, $V_{OUT} = V_{CC}$		-15	-40		mA
	Sourcing Current, $V_{OUT} = 0V$		10	20		mA

## DC ELECTRICAL CHARACTERISTICS

The ● denotes specifications which apply over the full operating temperature range.  $V_{CC} = 5V$ ,  $C1 = C2 = C3 = C4 = 0.1\mu F$ , unless otherwise noted.

PARAMETER	CONDITIONS	MIN	TYP	MAX	UNITS
<b>Power Supply Generator</b>					
V <sup>+</sup> Output Voltage	$I_{OUT} = 0mA$		8.0		V
	$I_{OUT} = 12mA$		7.5		V
V <sup>-</sup> Output Voltage	$I_{OUT} = 0mA$		-8.0		V
	$I_{OUT} = -12mA$		-7.0		V
Supply Rise Time	Shutdown to Turn-On		0.2		ms
<b>Power Supply</b>					
V <sub>CC</sub> Supply Current	No Load (All Drivers $V_{IN} = 5V$ ) (Note 2)	●	0.6	1.1	mA
	No Load (All Drivers $V_{IN} = 0V$ ) (Note 2)	●	0.8	1.3	mA
	Shutdown (Note 3)	●	80.0	120.0	$\mu A$
On/Off Threshold Low		●	1.4	0.8	V
On/Off Threshold High		●	2.0	1.4	V

## AC CHARACTERISTICS

The ● denotes specifications which apply over the full operating temperature range.  $V_{CC} = 5V$ ,  $C1 = C2 = C3 = C4 = 0.1\mu F$ , unless otherwise noted.

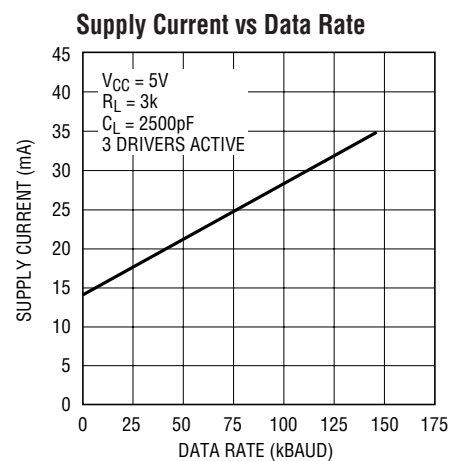
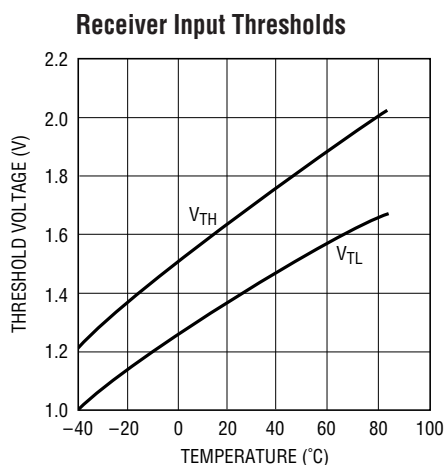
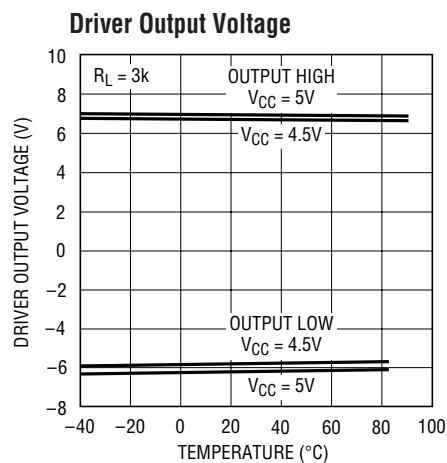
PARAMETER	CONDITIONS	MIN	TYP	MAX	UNITS
Slew Rate	$R_L = 3k$ , $C_L = 51pF$		8	30	V/ $\mu S$
	$R_L = 3k$ , $C_L = 2500pF$	3	5		V/ $\mu S$
Driver Propagation Delay (TTL to RS232)	$t_{HLD}$ (Figure 1)	●	2	3.5	$\mu S$
	$t_{LHD}$ (Figure 1)	●	2	3.5	$\mu S$
Receiver Propagation Delay (RS232 to TTL)	$t_{HLR}$ (Figure 2)	●	0.3	0.8	$\mu S$
	$t_{LHR}$ (Figure 2)	●	0.2	0.8	$\mu S$

**Note 1:** Absolute Maximum Ratings are those values beyond which the life of the device may be impaired.

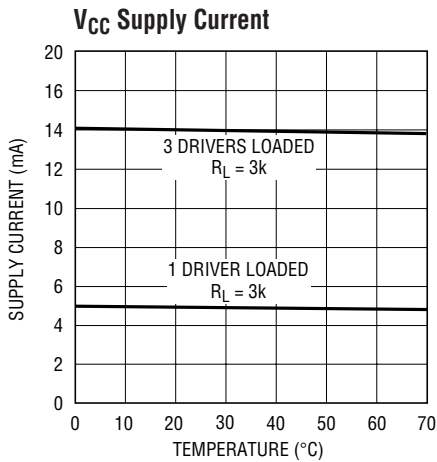
**Note 2:** Supply current is measured with driver and receiver outputs unloaded.

**Note 3:** Supply current and leakage current measurements in Shutdown are performed with  $V_{ON/OFF} = 0V$ .

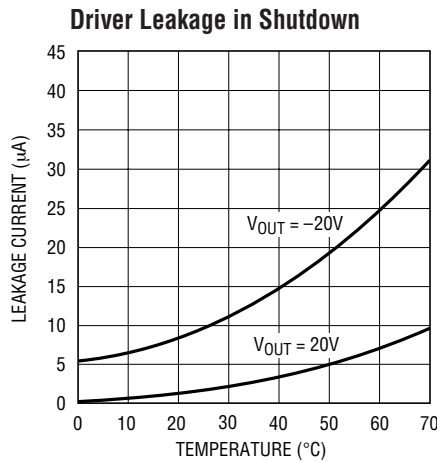
## TYPICAL PERFORMANCE CHARACTERISTICS



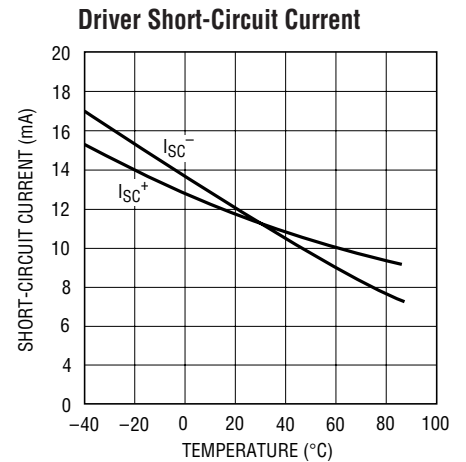
## TYPICAL PERFORMANCE CHARACTERISTICS



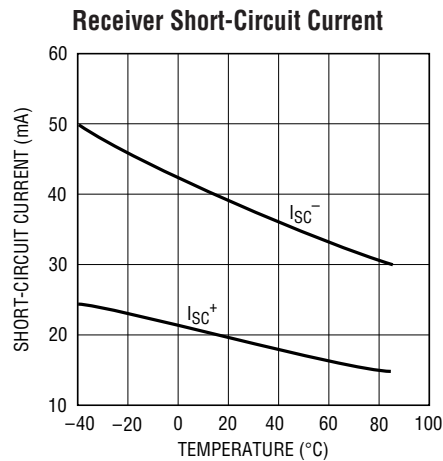
1347 G04



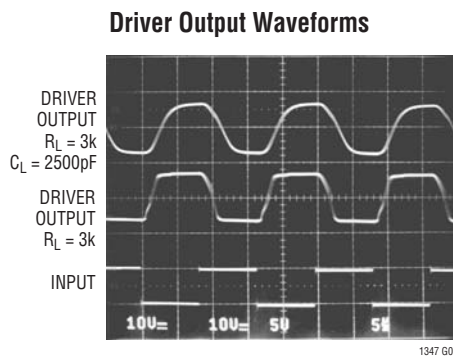
1347 G05



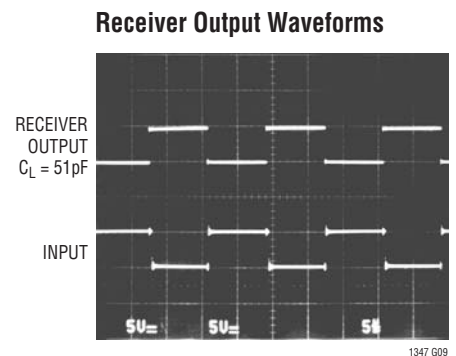
1347 G06



1347 G07



1347 G08



1347 G09

## PIN FUNCTIONS

**V<sub>CC</sub>**: 5V Input Supply Pin. Supply current is typically 80µA in the Shutdown mode. This pin should be decoupled with a 0.1µF ceramic capacitor.

**GND**: Ground Pin.

**ON/OFF**: TTL/CMOS Compatible Shutdown Pin. A logic low puts the device in the Shutdown mode with all receivers kept alive, and the supply current is 80µA. All driver outputs are in high impedance state. This pin cannot float.

**V<sup>+</sup>**: Positive Supply Output (RS232 Drivers). V<sup>+</sup> ≈ 2V<sub>CC</sub> - 1V. This pin requires an external capacitor C = 0.1µF for charge storage. The capacitor may be tied to

ground or V<sub>CC</sub>. With multiple devices, the V<sup>+</sup> and V<sup>-</sup> pins may be paralleled into common capacitors. For large numbers of devices, increasing the size of the shared common storage capacitors is recommended to reduce ripple.

**V<sup>-</sup>**: Negative Supply Output (RS232 Drivers). V<sup>-</sup> ≈ -(2V<sub>CC</sub> - 1.5V). This pin requires an external capacitor C = 0.1µF for charge storage.

**C1<sup>+</sup>, C1<sup>-</sup>, C2<sup>+</sup>, C2<sup>-</sup>**: Commutating Capacitor Inputs. These pins require two external capacitors C = 0.1µF: one from C1<sup>+</sup> to C1<sup>-</sup>, and another from C2<sup>+</sup> to C2<sup>-</sup>. To maintain

## PIN FUNCTIONS

charge pump efficiency, the capacitor's effective series resistance should be less than  $2\Omega$ .

**DRIVER IN:** RS232 Driver Input Pins. Inputs are TTL/CMOS compatible. Inputs should not be allowed to float. Tie unused inputs to  $V_{CC}$ .

**DRIVER OUT:** Driver Outputs at RS232 Voltage Levels. Outputs are in a high impedance state when in Shutdown mode or  $V_{CC} = 0V$ . The driver outputs are protected against ESD to  $\pm 10kV$  for human body model discharges.

**RX IN:** Receiver Inputs. These pins can be forced to  $\pm 25V$  without damage. The receiver inputs are protected against ESD to  $\pm 10kV$  for human body model discharges. Each receiver provides 0.4V of hysteresis for noise immunity.

**RX OUT:** Receiver Outputs with TTL/CMOS Voltage Levels. All receivers are kept alive in Shutdown.

## SWITCHING TIME WAVEFORMS

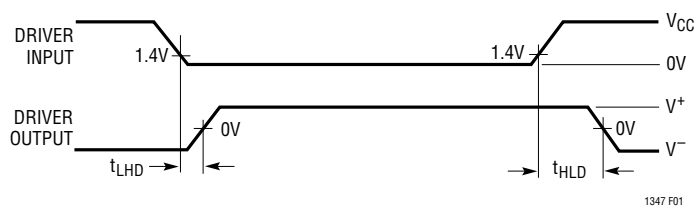


Figure 1. Driver Propagation Delay Timing

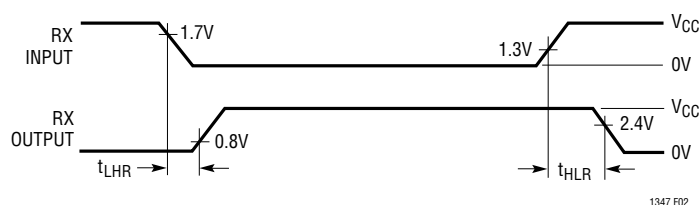


Figure 2. Receiver Propagation Delay Timing

**TEST CIRCUITS**

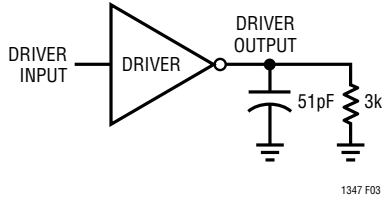


Figure 3. Driver Timing Test Load

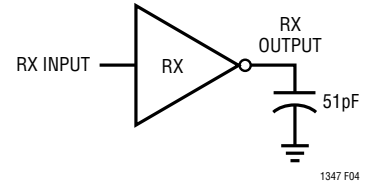


Figure 4. Receiver Timing Test Load

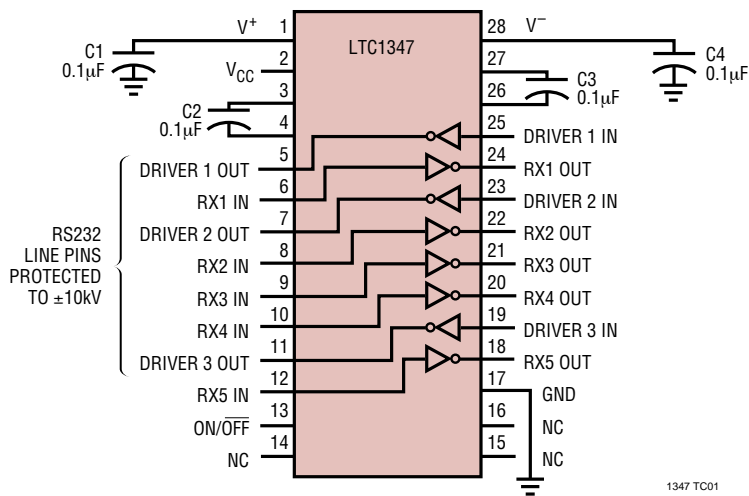
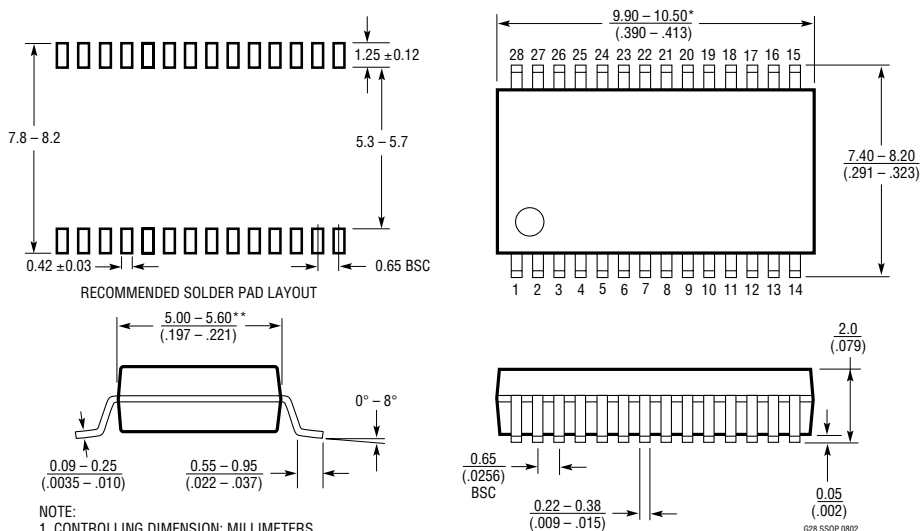


Figure 5. ESD Test Circuit

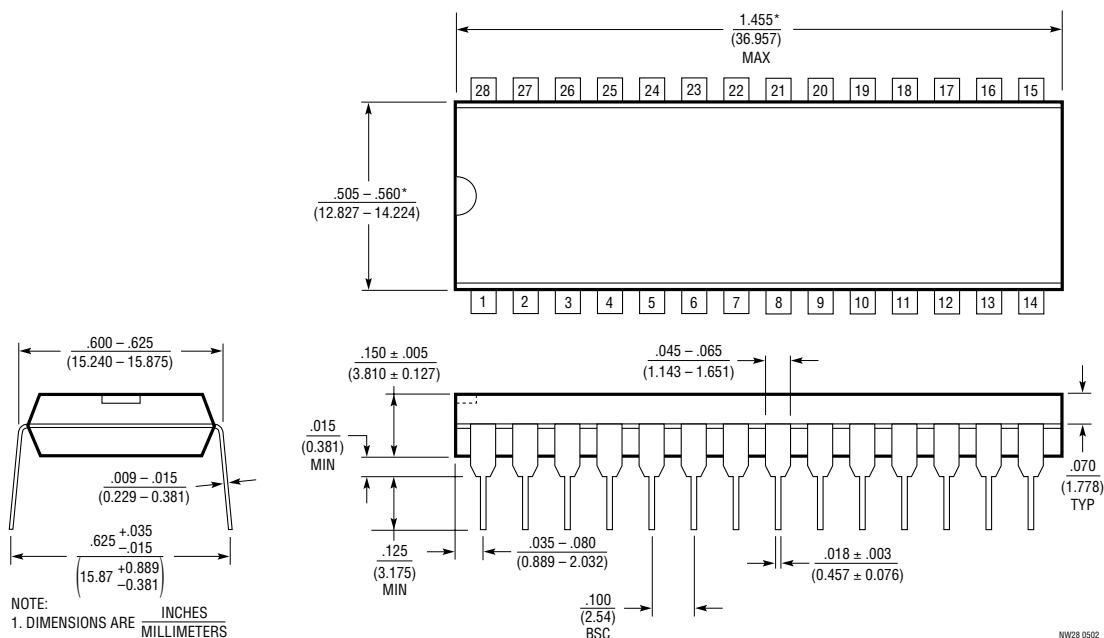
# PACKAGE DESCRIPTION

## G Package 28-Lead Plastic SSOP (5.3mm) (Reference LTC DWG # 05-08-1640)



NOTE:  
 1. CONTROLLING DIMENSION: MILLIMETERS  
 2. DIMENSIONS ARE IN MILLIMETERS (INCHES)  
 3. DRAWING NOT TO SCALE  
 \*DIMENSIONS DO NOT INCLUDE MOLD FLASH. MOLD FLASH SHALL NOT EXCEED .152mm (.006") PER SIDE  
 \*\*DIMENSIONS DO NOT INCLUDE INTERLEAD FLASH. INTERLEAD FLASH SHALL NOT EXCEED .254mm (.010") PER SIDE

## NW Package 28-Lead PDIP (Wide .600 Inch) (Reference LTC DWG # 05-08-1520)



NOTE:  
 1. DIMENSIONS ARE INCHES MILLIMETERS  
 \*THESE DIMENSIONS DO NOT INCLUDE MOLD FLASH OR PROTRUSIONS. MOLD FLASH OR PROTRUSIONS SHALL NOT EXCEED .010 INCH (0.254mm)

HW28 0502