

FEATURES

- Improves SMBus/I²C™ Rise Time Transition
- Ensures Data Integrity with Multiple Devices on the SMBus/I²C
- Improves Low State Noise Margin
- Wide Supply Voltage Range: 2.7V to 6V
- Parallel Multiple LTC1694-1 Devices for Increased Drive
- Low Profile (1mm) SOT-23 (ThinSOT™) Package

APPLICATIONS

- Notebook and Palmtop Computers
- Portable Instruments
- Battery Chargers
- Industrial Control Application
- TV/Video Products
- ACPI SMBus Interface

DESCRIPTION

The LTC[®]1694-1 is a dual SMBus active pull-up designed to enhance data transmission speed and reliability under all specified SMBus loading conditions. The LTC1694-1 is also compatible with the Philips I²C Bus.

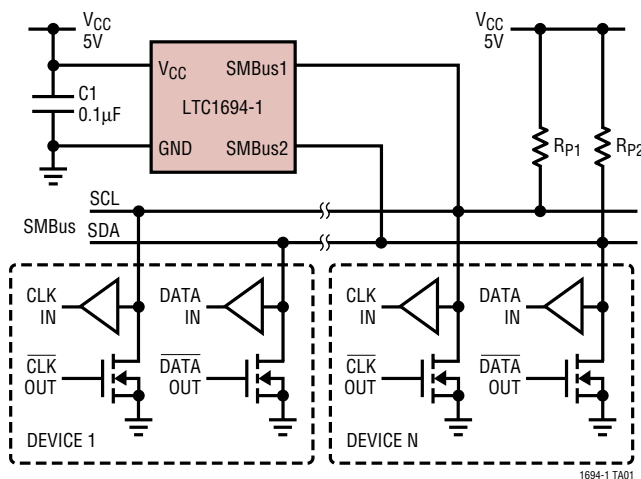
The LTC1694-1 allows multiple device connections or a longer, more capacitive interconnect, without compromising slew rates or bus performance, by supplying a high pull-up current of 2.2mA to slew the SMBus or I²C lines during positive bus transitions.

During negative transitions or steady DC levels, the LTC1694-1 sources zero current. External resistors, one on each bus line, trigger the LTC1694-1 during positive bus transitions and set the pull-down current level. These resistors determine the slew rate during negative bus transitions and the logic low DC level.

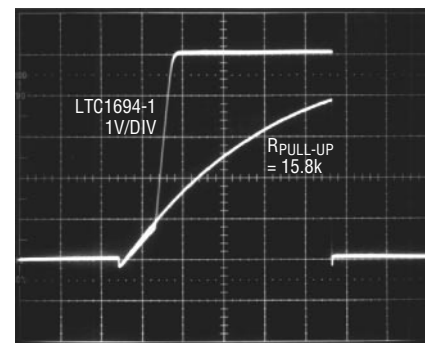
The LTC1694-1 is available in a 5-pin SOT-23 package.

LTC, LTC and LT are registered trademarks of Linear Technology Corporation.
 ThinSOT is a trademark of Linear Technology Corporation.
 I²C is a trademark of Philips Electronics N.V.
 *U.S. Patent No. 6,650,174

TYPICAL APPLICATION



Comparison of SMBus Waveforms for the LTC1694-1 vs Resistor Pull-Up



V_{CC} = 5V
 C_{LD} = 200pF
 f_{SMBus} = 100kHz

1694-1 TA02

ABSOLUTE MAXIMUM RATINGS

(Note 1)

Supply Voltage (V_{CC})	7V
SMBus1, SMBus2 Inputs	-0.3V to ($V_{CC} + 0.3V$)
Operating Ambient Temperature Range	
LTC1694-1C	0°C to 70°C
LTC1694-1I	-40°C to 85°C
Junction Temperature	125°C
Storage Temperature Range	-65°C to 150°C
Lead Temperature (Soldering, 10 sec.)	300°C

PACKAGE/ORDER INFORMATION

	ORDER PART NUMBER
	LTC1694-1CS5 LTC1694-1IS5
	S5 PART MARKING
	LTHE LTA9

Consult LTC Marketing for parts specified with wider operating temperature ranges.

ELECTRICAL CHARACTERISTICS

The ● denotes specifications which apply over the full operating temperature range, otherwise specifications are at $T_A = 25^\circ\text{C}$. $V_{CC} = 2.7\text{V}$ to 6V , unless otherwise noted.

SYMBOL	PARAMETER	CONDITIONS	MIN	TYP	MAX	UNITS
V_{CC}	Supply Voltage Range		2.7		6	V
I_{CC}	Supply Current	SMBus1 = SMBus2 = V_{CC}	● 15	45	80	μA
$I_{PULL-UP}$	Pull-Up Current	Positive Transition on SMBus (Figure 1) Slew Rate = $0.5\text{V}/\mu\text{s}$, SMBus > V_{THRES}	● 1.0	2.2		mA
V_{THRES}	Input Threshold Voltage	Slew Rate = $0.5\text{V}/\mu\text{s}$ (Figure 1)	● 0.4	0.65	0.9	V
SR_{THRES}	Slew Rate Detector Threshold	SMBus > V_{THRES}	●	0.2	0.5	$\text{V}/\mu\text{s}$
t_r	SMBus Rise Time Standard Mode I ² C Bus Rise Time	Bus Capacitance = 200pF (Note 2) Bus Capacitance = 400pF (Note 3)	●	0.32	1.0	μs
f_{MAX}	SMBus Maximum Operating Frequency	(Note 4)	●		100	kHz

Note 1: Absolute Maximum Ratings are those values beyond which the life of a device may be impaired.

Note 2: The rise time of an SMBus line is calculated from ($V_{IL(MAX)} - 0.15\text{V}$) to ($V_{IH(MIN)} + 0.15\text{V}$) or 0.65V to 2.25V . This parameter is guaranteed by design and not tested. With a minimum initial slew rate of $0.5\text{V}/\mu\text{s}$, a minimum pull-up current of 1mA and a maximum input threshold voltage of 0.9V :

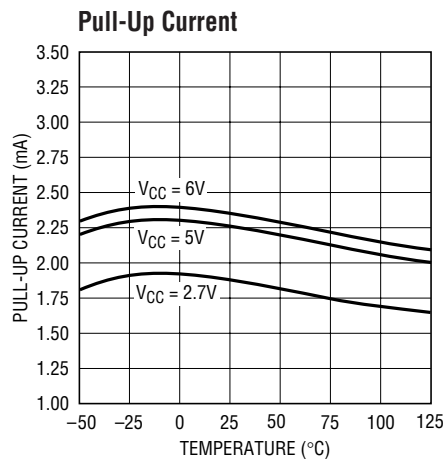
$$\text{Rise Time} = [(0.9\text{V} - 0.65\text{V})/0.5\text{V}/\mu\text{s}] + [(2.25\text{V} - 0.9\text{V}) \cdot 200\text{pF}/1\text{mA}] = 0.77\mu\text{s}$$

Note 3: The rise time of an I²C bus line is calculated from $V_{IL(MAX)}$ to $V_{IH(MIN)}$ or 1.5V to 3V (with $V_{CC} = 5\text{V}$). This parameter is guaranteed by design and not tested. With a minimum boosted pull-up current of 1mA :

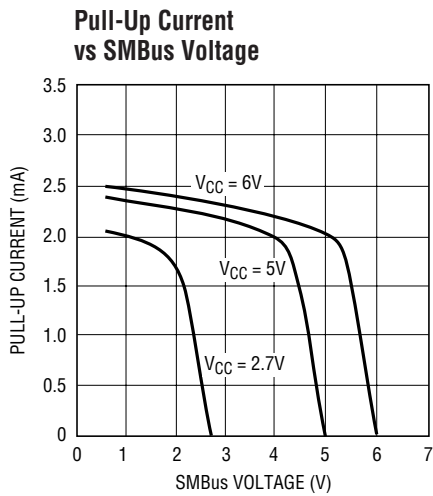
$$\text{Rise Time} = (3\text{V} - 1.5\text{V}) \cdot 400\text{pF}/1\text{mA} = 0.6\mu\text{s}$$

Note 4: This parameter is guaranteed by design and not tested.

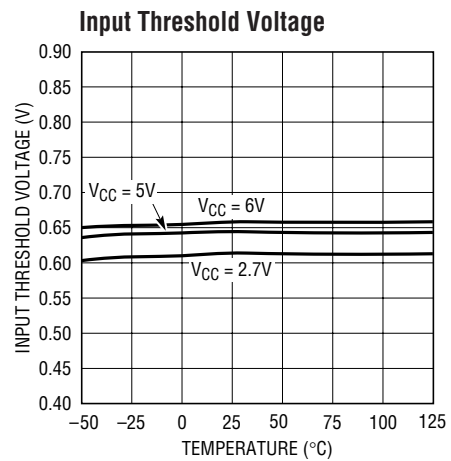
TYPICAL PERFORMANCE CHARACTERISTICS



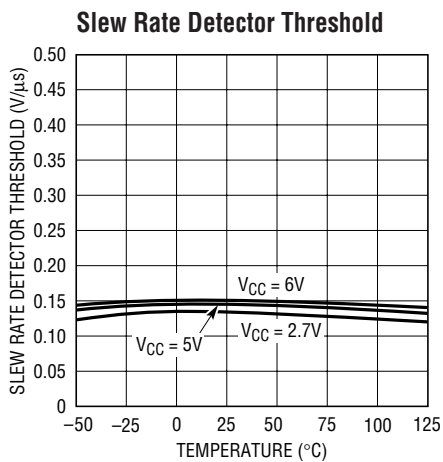
1694-1 G01



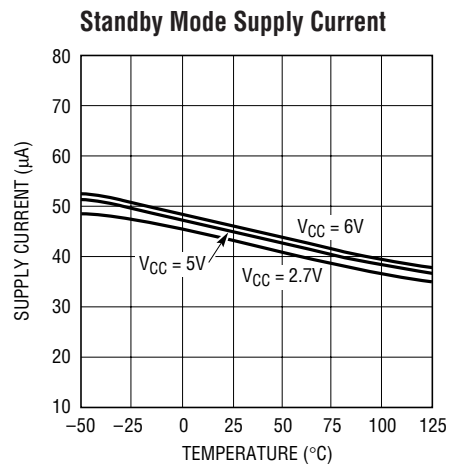
LT1694 G02



1694 G03



1694 G04



1694-1 G05

PIN FUNCTIONS

V_{CC} (Pin 1): Power Supply Input. V_{CC} can range from 2.7V to 6V and requires a 0.1μF bypass capacitor to GND. Supply current is typically 45μA when the SMBus or I²C lines are inactive (SCL and SDA are a logic high level).

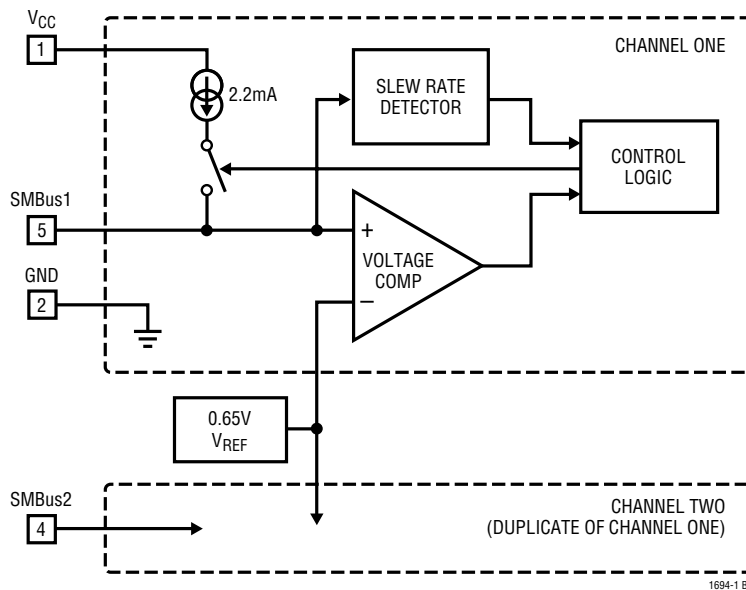
GND (Pin 2): Ground.

NC (Pin 3): No Connection.

SMBus2 (Pin 4): Active Pull-Up for SMBus.

SMBus1 (Pin 5): Active Pull-Up for SMBus.

BLOCK DIAGRAM



TEST CIRCUITS

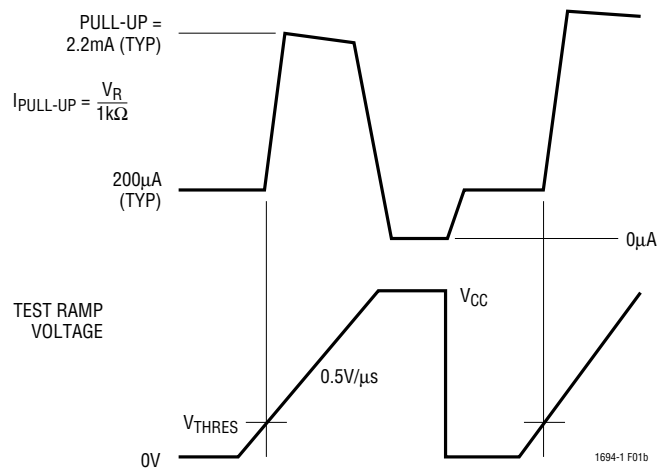
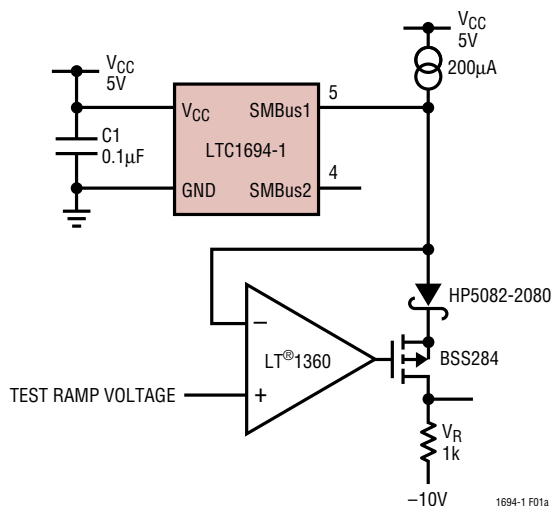


Figure 1

APPLICATIONS INFORMATION

SMBus Overview

SMBus communication protocol employs open-drain drives with resistive or current source pull-ups. This protocol allows multiple devices to drive and monitor the bus without bus contention. The simplicity of resistive or fixed current source pull-ups is offset by the slow rise times resulting when bus capacitance is high. Rise times can be improved by using lower pull-up resistor values or higher fixed current source values, but the additional current increases the low state bus voltage, decreasing noise margins. Slow rise times can seriously impact data reliability, enforcing a maximum practical bus speed well below the established SMBus maximum transmission rate.

Theory of Operation

The LTC1694-1 overcomes these limitations by providing a 2.2mA pull-up current only during positive bus transitions to quickly slew any bus capacitance. Therefore, rise time is dramatically improved, especially with maximum SMBus loading conditions.

The LTC1694-1 has separate but identical circuitry for each SMBus output pin. The circuitry consists of a positive edge slew rate detector and a voltage comparator.

The 2.2mA pull-up current is only turned on if the voltage on the SMBus line is greater than the 0.65V comparator threshold voltage and the positive slew rate of the SMBus line is greater than the 0.2V/ μ s threshold of the slew rate detector. The pull-up current remains on until the voltage on the SMBus line is within 0.5V of V_{CC} and/or the slew rate drops below 0.2V/ μ s.

Selecting the Values of R_S and R_P

An external pull-up resistor R_P is required in each SMBus line to supply a steady state pull-up current if the SMBus is at logic zero. This pull-up current is used for slewing the SMBus line during the initial portion of the positive transition in order to activate the LTC1694-1 2.2mA pull-up current.

Using an external R_P to supply the steady state pull-up current permits the user the freedom to adjust rise time versus fall time as well as defining the low state logic level (V_{OL}).

For I/O stage protection from ESD and high voltage spikes on the SMBus, a series resistor R_S (Figure 2) is sometimes added to the open-drain driver of the bus agents. This is especially common in SMBus-controlled smart batteries.

Both the values of R_P and R_S must be chosen carefully to meet the low state noise margin and all timing requirements of the SMBus.

A discussion of the electrical parameters affected by the values of R_S and R_P , as well as a general procedure for selecting the values of R_S and R_P follows.

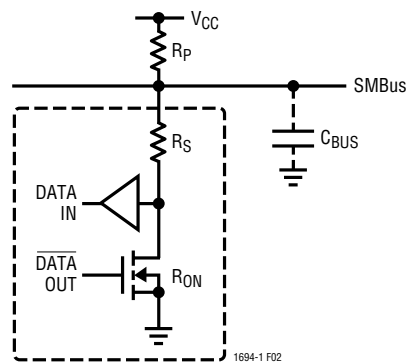


Figure 2

Low State Noise Margin

A low value of V_{OL} , the low state logic level, is desired for good noise margin. V_{OL} is calculated as follows:

$$V_{OL} = (R_L \cdot V_{CC}) / (R_L + R_P) \quad (1)$$

R_L is the series sum of R_S and R_{ON} , the on-resistance of the open-drain driver.

Increasing the value of R_P decreases the value of V_{OL} . Increasing R_L increases the value of V_{OL} .

Initial Slew Rate

The initial slew rate, SR, of the Bus is determined by:

$$SR = (V_{CC} - V_{OL}) / (R_P \cdot C_{BUS}) \quad (2)$$

SR must be greater than SR_{THRES} , the LTC1694-1 slew rate detector threshold (0.5/ μ s max) in order to activate the 2.2mA pull-up current.

APPLICATIONS INFORMATION

SMBus Rise Time

Rise time of an SMBus line is derived using equations 3, 4 and 5.

$$t_r = t_1 + t_2 \quad (3)$$

$$t_1 = -R_P \cdot C_{BUS} \cdot \ln[(V_{THRES} - V_{CC}) / (V_{ILMAX} - 0.15 - V_{CC})] \quad (4)$$

if $(V_{ILMAX} - 0.15) > V_{THRES}$, then $t_1 = 0\mu s$.

$$t_2 = -R_P \cdot C_{BUS} \cdot \ln\{(V_{IHMIN} + 0.15 - V_{CC} - (R_P \cdot I_{PULL-UP}) / [V_{THRES} - V_{CC} - (R_P \cdot I_{PULL-UP})])\} \quad (5)$$

By ignoring the current through R_P , a simplified version of equation 3 is obtained:

$$t_2 = (V_{IHMIN} + 0.15 - V_{THRES}) \cdot C_{BUS} / I_{PULL-UP} \quad (6)$$

For an SMBus system, $V_{ILMAX} = 0.8V$ and $V_{IHMIN} = 2.1V$. For the LTC1694-1, typically $V_{THRES} = 0.65V$ and $I_{PULL-UP} = 2.2mA$.

C_{BUS} is the total capacitance of the SMBus line.

Increasing the value of R_P increases the rise time.

SMBus Fall Time

Fall time of an SMBus line is derived using equation 7:

$$t_f = R_T \cdot C_{BUS} \cdot \ln\{[0.9 \cdot (R_P + R_L) - R_L] / [(V_{ILMAX} - 0.15) \cdot (R_P + R_L) / V_{CC} - R_L]\} \quad (7)$$

where R_T is the parallel equivalent of R_P and R_L .

The rise and fall time calculation for an I²C system is as follows.

I²C Bus Rise and Fall Time

Rise time of an I²C line is derived using equation 8.

$$t_r = -R_P \cdot C_{BUS} \cdot \ln\{[V_{IHMIN} - V_{CC} - (R_P \cdot I_{PULL-UP})] / [V_{ILMAX} - V_{CC} - (R_P \cdot I_{PULL-UP})]\} \quad (8)$$

Fall time of an I²C line is derived using equation 9:

$$t_f = R_T \cdot C_{BUS} \cdot \ln\{[(V_{IHMIN} / V_{CC}) \cdot (R_P + R_L) - R_L] / [(V_{ILMAX} / V_{CC}) \cdot (R_P + R_L) - R_L]\} \quad (9)$$

For an I²C system with fixed input levels, $V_{ILMAX} = 1.5V$ and $V_{IHMIN} = 3V$.

For an I²C system with V_{CC} related input levels, $V_{ILMAX} = 0.3V_{CC}$ and $V_{IHMIN} = 0.7V_{CC}$.

C_{BUS} is the total capacitance of the I²C line.

A general procedure for selecting R_P and R_L is as follows:

1. R_L is first selected based on the I/O protection requirement. Generally, an R_S of 100Ω is sufficient for high voltage spike and ESD protection. R_{ON} is determined by the size of the open-drain driver, a large driver will have a lower R_{ON} .
2. Next, the value of R_P is determined based on the rise and fall time requirements using equations 3 to 7 (for an SMBus system) or 8 and 9 (for an I²C system). The value chosen for R_P must ensure that both the rise and fall time specifications are met simultaneously.
3. After R_P and R_L are selected, use equations 1 and 2 to check if the V_{OL} and SR requirements are fulfilled.

If SR is too low, decrease the value of R_P . If V_{OL} is too high, increase the value of R_P .

SMBus Design Example

Given the following conditions and requirements:

$$\begin{aligned} V_{CC} &= 3.3V \text{ nom} \\ V_{OL} &= 0.4V \text{ max} \\ C_{BUS} &= 200pF \text{ max} \\ V_{ILMAX} &= 0.8V, V_{IHMIN} = 2.1V \\ t_r &= 0.8\mu s \text{ max}, t_f = 0.3\mu s \text{ max} \end{aligned}$$

If an R_S of 500Ω is used and the max R_{ON} of the driver is 200Ω , then $R_L = 500 + 200 = 700\Omega$. Using the max V_{THRES} of $0.9V$ and a min $I_{PULL-UP}$ of $1mA$.

Using equation 6 to calculate the approximate value of t_2 :

$$t_2 = (2.1 + 0.15 - 0.9) \cdot [(200 \cdot 10^{-12}) / (1 \cdot 10^{-3})] = 0.27\mu s$$

$$t_1 = 0.8 - 0.27 = 0.53\mu s$$

Using equation 4 to find the required R_P to meet t_r :

$$R_P = -t_1 / \{C_{BUS} \cdot \ln[(V_{THRES} - V_{CC}) / (V_{ILMAX} - 0.15 - V_{CC})]\} = 27k$$

$$R_T = (R_P \cdot R_L) / (R_P + R_L)$$

APPLICATIONS INFORMATION

Using equations 4 and 5 to check exact value of t_r :

$$t_r = 0.535\mu\text{s} + 0.254\mu\text{s} = 0.79\mu\text{s}$$

Using equation 7 to check t_f :

$$t_f = 0.222\mu\text{s}$$

which is less than $0.3\mu\text{s}$.

Using equation 1 to check V_{OL} :

$$V_{OL} = (3.3 \cdot 700) / [700 + (27 \cdot 10^3)] = 83\text{mV}$$

which is less than 0.4V .

And using equation 2 to check the initial slew rate:

$$\text{SR} = 3.3 / [(27 \cdot 10^3) \cdot (200 \cdot 10^{-12})] = 0.61\text{V}/\mu\text{s}$$

which is greater than $0.5\text{V}/\mu\text{s}$.

Therefore, the value of R_p chosen is 27k .

ACK Data Setup Time

Care must be taken in selecting the value of R_S (in series with the pull-down driver) to ensure that the data setup time requirement for ACK (acknowledge) is fulfilled. An acknowledge is accomplished by the SMBus host releasing the SDA line (pulling high) at the end of the last bit sent and the SMBus slave device pulling the SDA line low before the rising edge of the ACK clock pulse.

The LTC1694-1 2.2mA pull-up current is activated when the SMBus host releases the SDA line, allowing the voltage to rise above the LTC1694-1's comparator threshold of 0.65V . If an SMBus slave device has a high value of R_S , a longer time is required for this SMBus slave device to pull SDA low before the rising edge of the ACK clock pulse.

To ensure sufficient data setup time for ACK, SMBus slave devices with high values of R_S , should pull the SDA low earlier. Typically, a minimum setup time of $1.5\mu\text{s}$ is needed for an SMBus device with an R_S of 700Ω and a bus capacitance of 200pF .

An alternative is that the SMBus slave device can hold SCL line low until the SDA line reaches a stable state. Then, SCL can be released to generate the ACK clock pulse.

Connecting Multiple LTC1694-1 in Parallel

The LTC1694-1 is designed to guarantee a maximum SMBus rise time of $1\mu\text{s}$ with a bus capacitance of 200pF . In some cases where the bus capacitance is higher than 200pF , multiple LTC1694-1s can be connected in parallel to provide a higher pull-up current to meet the rise time requirement. Figure 3 shows a typical application with two LTC1694-1s connected in parallel to supply a pull-up current of 4.4mA .

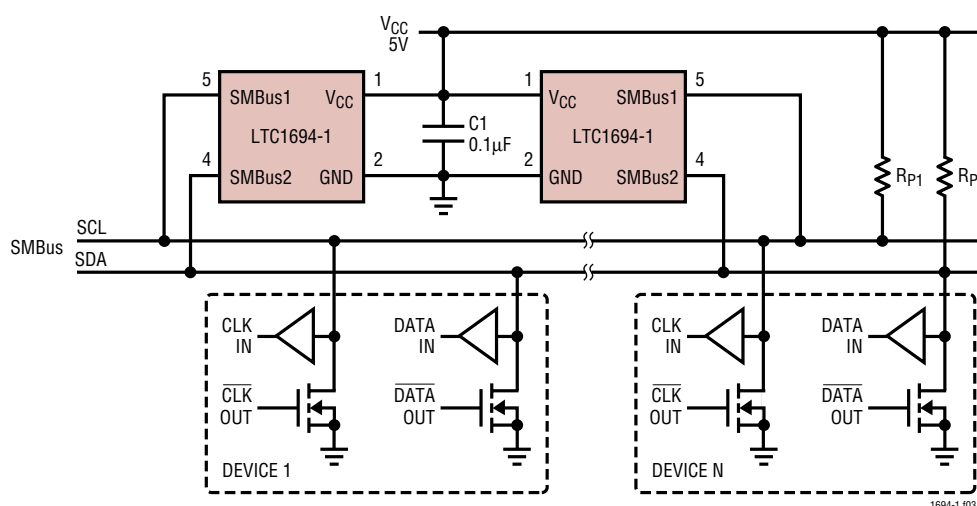


Figure 3. Paralleling Two LTC1694-1 to Provide 4.4mA of Pull-Up Current