

# Ultralow Voltage Step-Up Converter and Power Manager

## FEATURES

- Operates from Inputs of 20mV
- Complete Energy Harvesting Power Management System
  - Selectable  $V_{OUT}$  of 2.35V, 3.3V, 4.1V or 5V
  - LDO: 2.2V at 3mA
  - Logic Controlled Output
  - Reserve Energy Output
- Power Good Indicator
- Uses Compact Step-Up Transformers
- Small 12-Lead (3mm × 4mm) DFN or 16-Lead SSOP Packages

## APPLICATIONS

- Remote Sensors and Radio Power
- Surplus Heat Energy Harvesting
- HVAC Systems
- Industrial Wireless Sensing
- Automatic Metering
- Building Automation
- Predictive Maintenance

All registered trademarks and trademarks are the property of their respective owners.

## DESCRIPTION

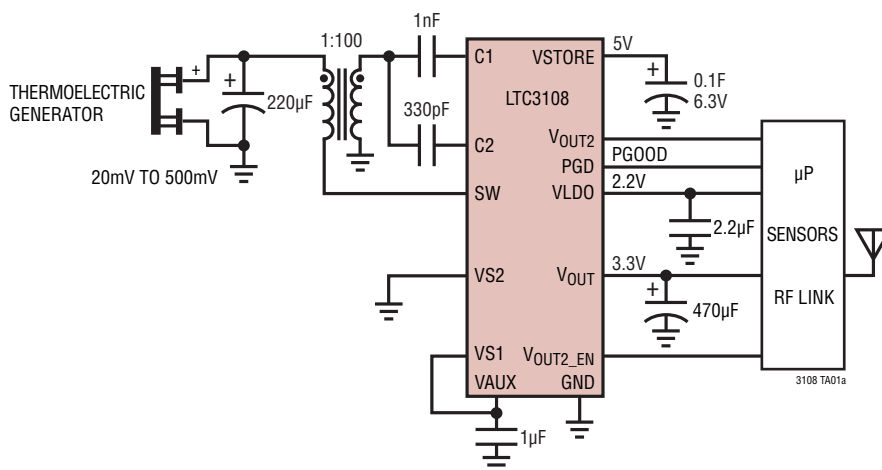
The **LTC®3108** is a highly integrated DC/DC converter ideal for harvesting and managing surplus energy from extremely low input voltage sources such as TEGs (thermoelectric generators), thermopiles and small solar cells. The step-up topology operates from input voltages as low as 20mV. The LTC3108 is functionally equivalent to the LTC3108-1 except for its unique fixed  $V_{OUT}$  options.

Using a small step-up transformer, the LTC3108 provides a complete power management solution for wireless sensing and data acquisition. The 2.2V LDO powers an external microprocessor, while the main output is programmed to one of four fixed voltages to power a wireless transmitter or sensors. The power good indicator signals that the main output voltage is within regulation. A second output can be enabled by the host. A storage capacitor provides power when the input voltage source is unavailable. Extremely low quiescent current and high efficiency design ensure the fastest possible charge times of the output reservoir capacitor.

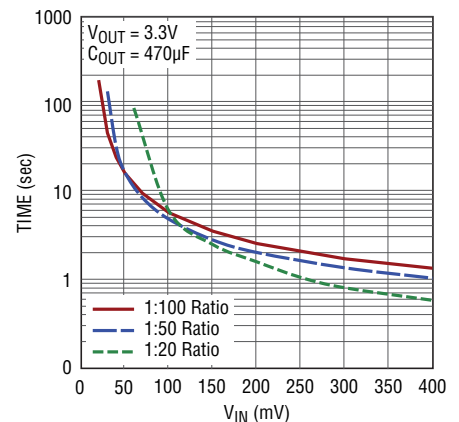
The LTC3108 is available in a small, thermally enhanced 12-lead (3mm × 4mm) DFN package and a 16-lead SSOP package.

## TYPICAL APPLICATION

Wireless Remote Sensor Application Powered From a Peltier Cell



$V_{OUT}$  Charge Time



3108 TA01b

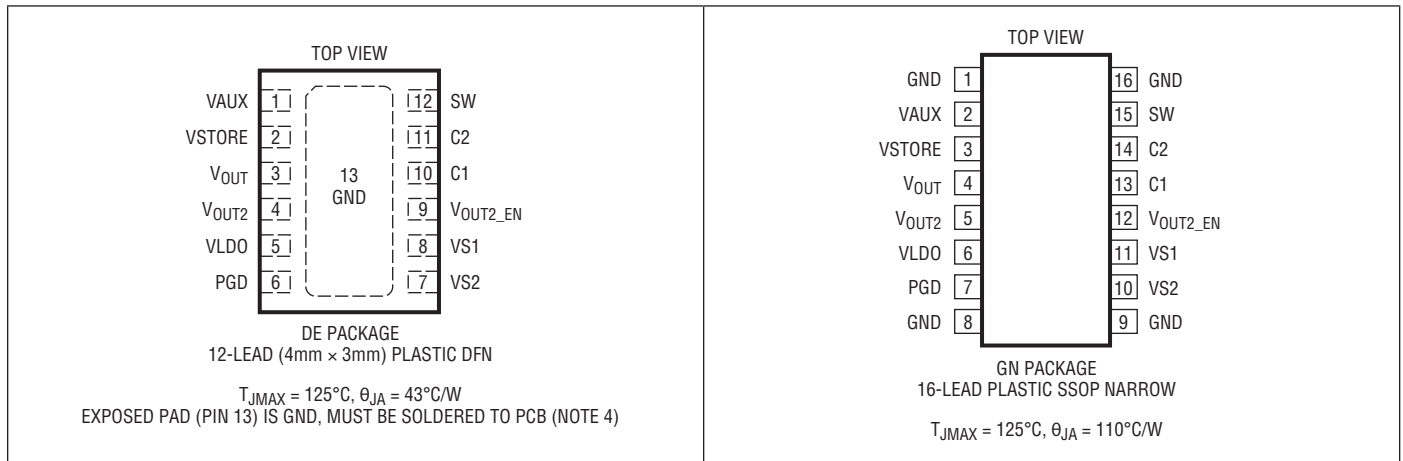
Rev. D

# LTC3108

## ABSOLUTE MAXIMUM RATINGS (Note 1)

SW Voltage .....	-0.3V to 2V	VS1, VS2, VAUX, V <sub>OUT</sub> , PGD .....	-0.3V to 6V
C1 Voltage.....	-0.3V to 6V	VLDO, VSTORE .....	-0.3V to 6V
C2 Voltage (Note 5).....	-8V to 8V	Operating Junction Temperature Range	
V <sub>OUT2</sub> , V <sub>OUT2_EN</sub> .....	-0.3V to 6V	(Note 2).....	-40°C to 125°C
VAUX.....	15mA into VAUX	Storage Temperature Range .....	-65°C to 125°C

## PIN CONFIGURATION



## ORDER INFORMATION

LEAD FREE FINISH	TAPE AND REEL	PART MARKING*	PACKAGE DESCRIPTION	TEMPERATURE RANGE
LTC3108EDE#PBF	LTC3108EDE#TRPBF	3108	12-Lead (4mm × 3mm) Plastic DFN	-40°C to 125°C
LTC3108IDE#PBF	LTC3108IDE#TRPBF	3108	12-Lead (4mm × 3mm) Plastic DFN	-40°C to 125°C
LTC3108EGN#PBF	LTC3108EGN#TRPBF	3108	16-Lead Plastic SSOP	-40°C to 125°C
LTC3108IGN#PBF	LTC3108IGN#TRPBF	3108	16-Lead Plastic SSOP	-40°C to 125°C

Contact the factory for parts specified with wider operating temperature ranges. \*The temperature grade is identified by a label on the shipping container.

[Tape and reel specifications](#). Some packages are available in 500 unit reels through designated sales channels with #TRMPBF suffix.

## ELECTRICAL CHARACTERISTICS

The ● denotes the specifications which apply over the full operating junction temperature range, otherwise specifications are for  $T_A = 25^{\circ}C$  (Note 2). VAUX = 5V, unless otherwise noted.

PARAMETER	CONDITIONS	MIN	TYP	MAX	UNITS
Minimum Start-Up Voltage	Using 1:100 Transformer Turns Ratio, VAUX = 0V		20	50	mV
No-Load Input Current	Using 1:100 Transformer Turns Ratio; V <sub>IN</sub> = 20mV, V <sub>OUT2_EN</sub> = 0V; All Outputs Charged and in Regulation		3		mA
Input Voltage Range	Using 1:100 Transformer Turns Ratio	●	V <sub>STARTUP</sub>	500	mV

Rev. D

## ELECTRICAL CHARACTERISTICS

The ● denotes the specifications which apply over the full operating junction temperature range, otherwise specifications are for  $T_A = 25^\circ\text{C}$  (Note 2).  $VAUX = 5\text{V}$ , unless otherwise noted.

PARAMETER	CONDITIONS		MIN	TYP	MAX	UNITS
Output Voltage	$VS1 = VS2 = \text{GND}$	●	2.30	2.350	2.40	V
	$VS1 = VAUX, VS2 = \text{GND}$	●	3.234	3.300	3.366	V
	$VS1 = \text{GND}, VS2 = VAUX$	●	4.018	4.100	4.182	V
	$VS1 = VS2 = VAUX$	●	4.90	5.000	5.10	V
$V_{OUT}$ Quiescent Current	$V_{OUT} = 3.3\text{V}, V_{OUT2\_EN} = 0\text{V}$			0.2		$\mu\text{A}$
$VAUX$ Quiescent Current	No Load, All Outputs Charged			6	9	$\mu\text{A}$
LDO Output Voltage	0.5mA Load	●	2.134	2.2	2.266	V
LDO Load Regulation	For 0mA to 2mA Load			0.5	1	%
LDO Line Regulation	For $VAUX$ from 2.5V to 5V			0.05	0.2	%
LDO Dropout Voltage	$I_{LDO} = 2\text{mA}$			100	200	mV
LDO Current Limit	$V_{LDO} = 0\text{V}$	●	4	11		mA
$V_{OUT}$ Current Limit	$V_{OUT} = 0\text{V}$	●	2.8	4.5	7.5	mA
VSTORE Current Limit	$VSTORE = 0\text{V}$	●	2.8	4.5	7.5	mA
$VAUX$ Clamp Voltage	Current into $VAUX = 5\text{mA}$	●	5	5.25	5.60	V
VSTORE Leakage Current	$VSTORE = 5\text{V}$			0.1	0.3	$\mu\text{A}$
$V_{OUT2}$ Leakage Current	$V_{OUT2} = 0\text{V}, V_{OUT2\_EN} = 0\text{V}$			0.1		$\mu\text{A}$
$VS1, VS2$ Threshold Voltage		●	0.4	0.85	1.2	V
$VS1, VS2$ Input Current	$VS1 = VS2 = 5\text{V}$			0.01	0.1	$\mu\text{A}$
PGOOD Threshold (Rising)	Measured Relative to the $V_{OUT}$ Voltage			-7.5		%
PGOOD Threshold (Falling)	Measured Relative to the $V_{OUT}$ Voltage			-9		%
PGOOD $V_{OL}$	Sink Current = $100\mu\text{A}$			0.15	0.3	V
PGOOD $V_{OH}$	Source Current = 0		2.1	2.2	2.3	V
PGOOD Pull-Up Resistance				1		$\text{M}\Omega$
$V_{OUT2\_EN}$ Threshold Voltage	$V_{OUT2\_EN}$ Rising	●	0.4	1	1.3	V
$V_{OUT2\_EN}$ Pull-Down Resistance				5		$\text{M}\Omega$
$V_{OUT2}$ Turn-On Time				5		$\mu\text{s}$
$V_{OUT2}$ Turn-Off Time	(Note 3)			0.15		$\mu\text{s}$
$V_{OUT2}$ Current Limit	$V_{OUT} = 3.3\text{V}$	●	0.15	0.3	0.45	A
$V_{OUT2}$ Current Limit Response Time	(Note 3)			350		ns
$V_{OUT2}$ P-Channel MOSFET On-Resistance	$V_{OUT} = 3.3\text{V}$ (Note 3)			1.3		$\Omega$
N-Channel MOSFET On-Resistance	$C2 = 5\text{V}$ (Note 3)			0.5		$\Omega$

**Note 1:** Stresses beyond those listed under Absolute Maximum Ratings may cause permanent damage to the device. Exposure to any Absolute Maximum Rating condition for extended periods may affect device reliability and lifetime.

**Note 2:** The LTC3108 is tested under pulsed load conditions such that  $T_J \approx T_A$ . The LTC3108E is guaranteed to meet specifications from  $0^\circ\text{C}$  to  $85^\circ\text{C}$  junction temperature. Specifications over the  $-40^\circ\text{C}$  to  $125^\circ\text{C}$  operating junction temperature range are assured by design, characterization and correlation with statistical process controls. The LTC3108I is guaranteed over the full  $-40^\circ\text{C}$  to  $125^\circ\text{C}$  operating junction temperature range. Note that the maximum ambient temperature is determined by specific operating conditions in conjunction with board layout, the rated thermal package thermal resistance and other environmental factors. The junction

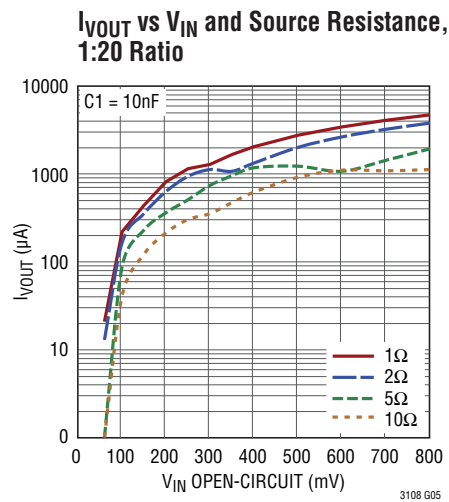
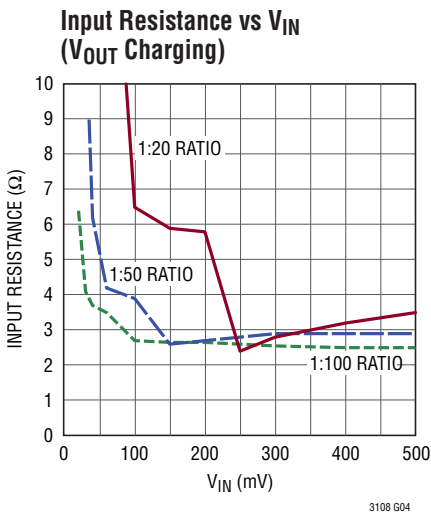
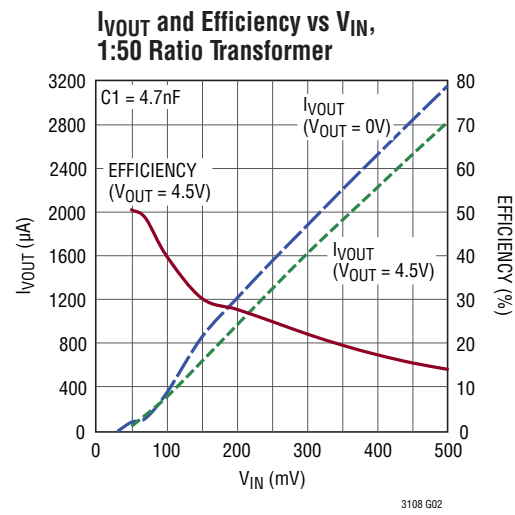
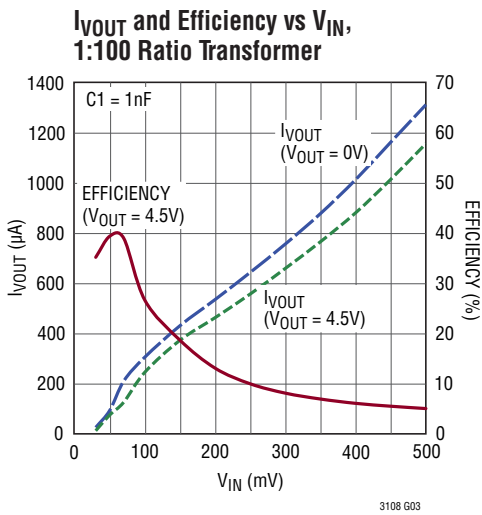
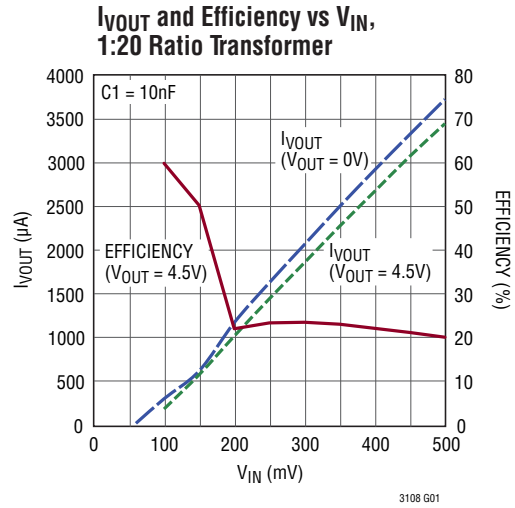
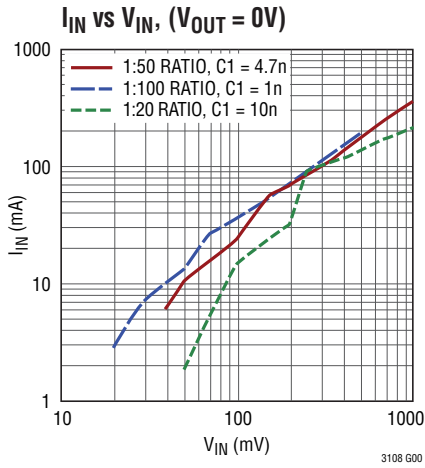
temperature ( $T_J$ ) is calculated from the ambient temperature ( $T_A$ ) and power dissipation ( $P_D$ ) according to the formula:  $T_J = T_A + (P_D \cdot \theta_{JA}^\circ\text{C/W})$ , where  $\theta_{JA}$  is the package thermal impedance.

**Note 3:** Specification is guaranteed by design and not 100% tested in production.

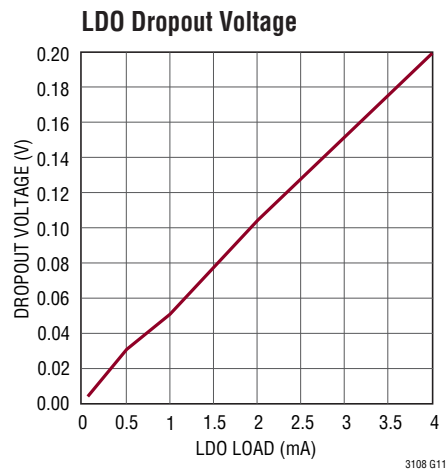
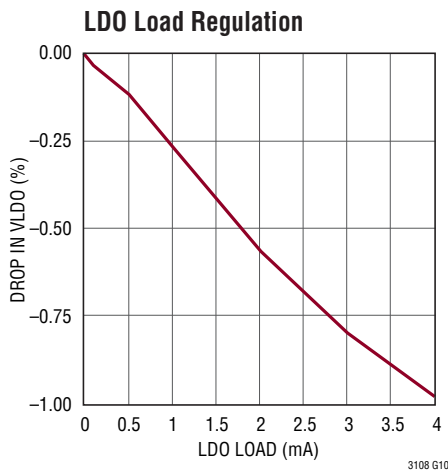
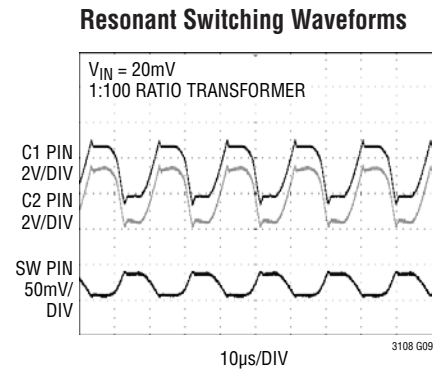
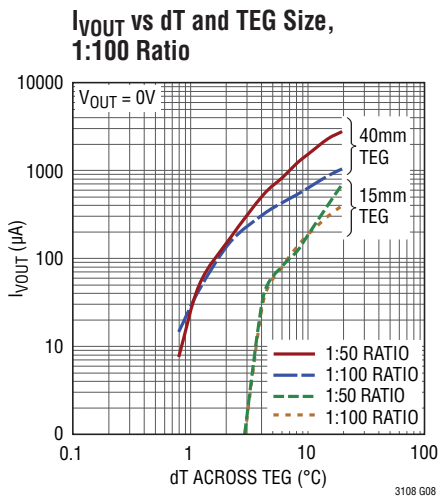
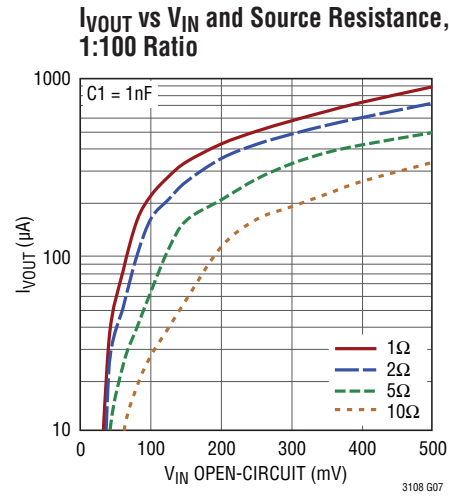
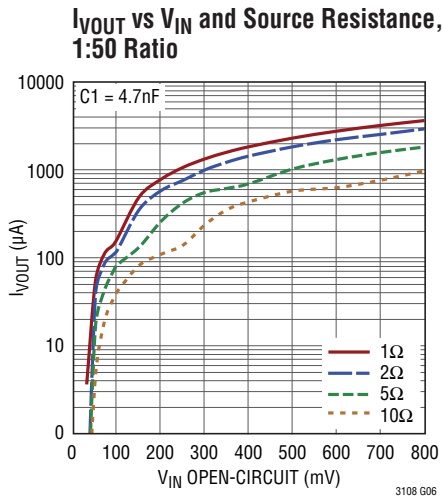
**Note 4:** Failure to solder the exposed backside of the package to the PC board ground plane will result in a thermal resistance much higher than  $43^\circ\text{C/W}$ .

**Note 5:** The absolute maximum rating is a DC rating. Under certain conditions in the applications shown, the peak AC voltage on the C2 pin may exceed  $\pm 8\text{V}$ . This behavior is normal and acceptable because the current into the pin is limited by the impedance of the coupling capacitor.

**TYPICAL PERFORMANCE CHARACTERISTICS**  $T_A = 25^\circ\text{C}$ , unless otherwise noted.

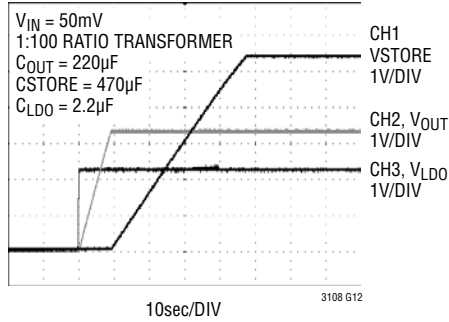


**TYPICAL PERFORMANCE CHARACTERISTICS**  $T_A = 25^\circ\text{C}$ , unless otherwise noted.

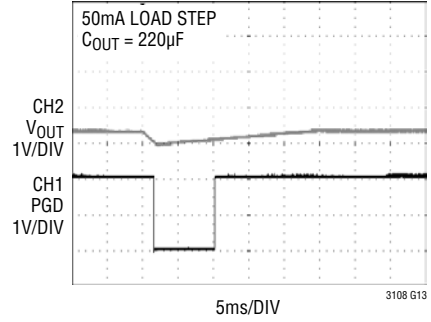


## TYPICAL PERFORMANCE CHARACTERISTICS $T_A = 25^\circ\text{C}$ , unless otherwise noted.

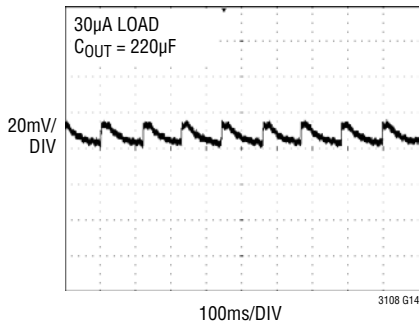
### Start-Up Voltage Sequencing



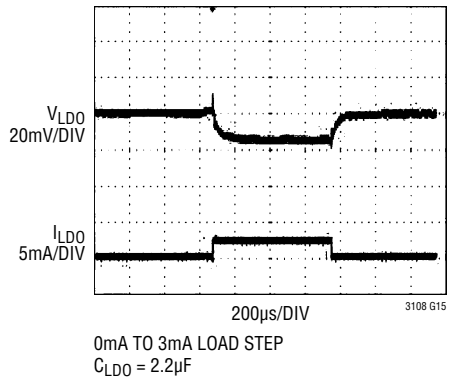
### $V_{OUT}$ and PGD Response During a Step Load



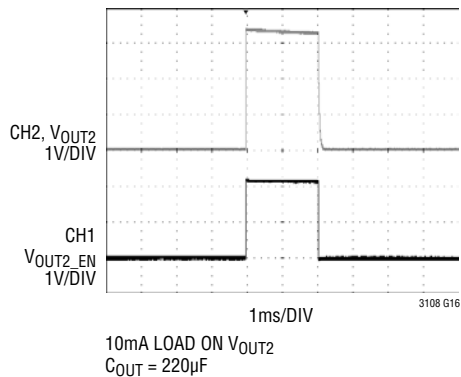
### $V_{OUT}$ Ripple



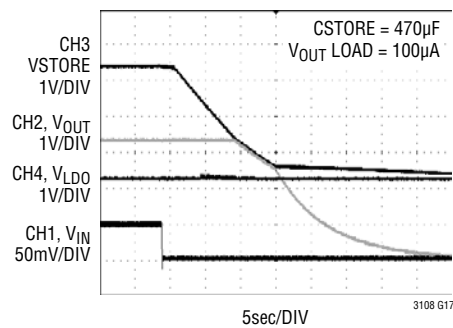
### LDO Step Load Response



### Enable Input and $V_{OUT2}$



### Running on Storage Capacitor



## PIN FUNCTIONS (DFN/SSOP)

**VAUX (Pin 1/Pin 2):** Output of the Internal Rectifier Circuit and  $V_{CC}$  for the IC. Bypass VAUX with at least  $1\mu\text{F}$  of capacitance. An active shunt regulator clamps VAUX to 5.25V (typical).

**VSTORE (Pin 2/Pin 3):** Output for the Storage Capacitor or Battery. A large capacitor may be connected from this pin to GND for powering the system in the event the input voltage is lost. It will be charged up to the maximum VAUX clamp voltage. If not used, this pin should be left open or tied to VAUX.

**$V_{OUT}$  (Pin 3/Pin 4):** Main Output of the Converter. The voltage at this pin is regulated to the voltage selected by VS1 and VS2 (see Table 1). Connect this pin to an energy storage capacitor or to a rechargeable battery.

**$V_{OUT2}$  (Pin 4/Pin 5):** Switched Output of the Converter. Connect this pin to a switched load. This output is open until  $V_{OUT2\_EN}$  is driven high, then it is connected to  $V_{OUT}$  through a  $1.3\Omega$  P-channel switch. If not used, this pin should be left open or tied to  $V_{OUT}$ . The peak current in this output is limited to 0.3A typical.

**VLDO (Pin 5/Pin 6):** Output of the 2.2V LDO. Connect a  $2.2\mu\text{F}$  or larger ceramic capacitor from this pin to GND. If not used, this pin should be tied to VAUX.

**PGD (Pin 6/Pin 7):** Power Good Output. When  $V_{OUT}$  is within 7.5% of its programmed value, PGD will be pulled up to VLDO through a  $1\text{M}\Omega$  resistor. If  $V_{OUT}$  drops 9% below its programmed value PGD will go low. This pin can sink up to  $100\mu\text{A}$ .

**VS2 (Pin 7/Pin 10):**  $V_{OUT}$  Select Pin 2. Connect this pin to ground or VAUX to program the output voltage (see Table 1).

**VS1 (Pin 8/Pin 11):**  $V_{OUT}$  Select Pin 1. Connect this pin to ground or VAUX to program the output voltage (see Table 1).

**$V_{OUT2\_EN}$  (Pin 9/Pin 12):** Enable Input for  $V_{OUT2}$ .  $V_{OUT2}$  will be enabled when this pin is driven high. There is an internal 5M pull-down resistor on this pin. If not used, this pin can be left open or grounded.

**C1 (Pin 10/Pin 13):** Input to the Charge Pump and Rectifier Circuit. Connect a capacitor from this pin to the secondary winding of the step-up transformer.

**C2 (Pin 11/Pin 14):** Input to the N-Channel Gate Drive Circuit. Connect a capacitor from this pin to the secondary winding of the step-up transformer.

**SW (Pin 12/Pin 15):** Drain of the Internal N-Channel Switch. Connect this pin to the primary winding of the transformer.

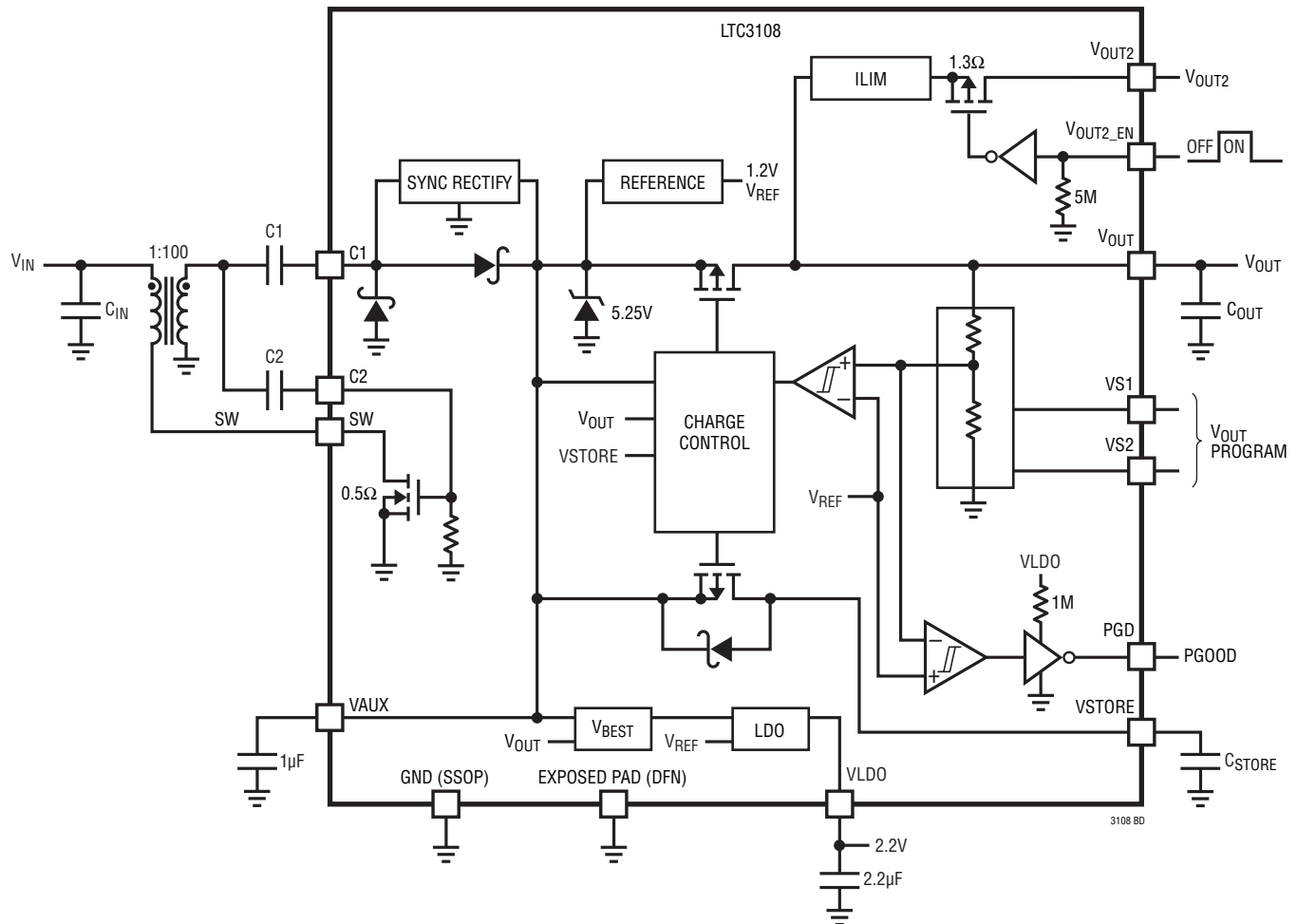
**GND (Pins 1, 8, 9, 16) SSOP Only:** Ground

**GND (Exposed Pad Pin 13) DFN Only:** Ground. The DFN exposed pad must be soldered to the PCB ground plane. It serves as the ground connection, and as a means of conducting heat away from the die.

**Table 1. Regulated Voltage Using Pins VS1 and VS2**

VS2	VS1	$V_{OUT}$
GND	GND	2.35V
GND	VAUX	3.3V
VAUX	GND	4.1V
VAUX	VAUX	5V

## BLOCK DIAGRAM



## OPERATION (Refer to the Block Diagram)

The LTC3108 is designed to use a small external step-up transformer to create an ultralow input voltage step-up DC/DC converter and power manager. It is ideally suited for low power wireless sensors and other applications in which surplus energy harvesting is used to generate system power because traditional battery power is inconvenient or impractical.

The LTC3108 is designed to manage the charging and regulation of multiple outputs in a system in which the

average power draw is very low, but there may be periodic pulses of higher load current required. This is typical of wireless sensor applications, where the quiescent power draw is extremely low most of the time, except for transmit bursts when circuitry is powered up to make measurements and transmit data.

The LTC3108 can also be used to trickle charge a standard capacitor, supercapacitor or rechargeable battery, using energy harvested from a Peltier or photovoltaic cell.



## OPERATION

### Oscillator

The LTC3108 utilizes a MOSFET switch to form a resonant step-up oscillator using an external step-up transformer and a small coupling capacitor. This allows it to boost input voltages as low as 20mV high enough to provide multiple regulated output voltages for powering other circuits. The frequency of oscillation is determined by the inductance of the transformer secondary winding and is typically in the range of 10kHz to 100kHz. For input voltages as low as 20mV, a primary-secondary turns ratio of about 1:100 is recommended. For higher input voltages, this ratio can be lower. See the Applications Information section for more information on selecting the transformer.

### Charge Pump and Rectifier

The AC voltage produced on the secondary winding of the transformer is boosted and rectified using an external charge pump capacitor (from the secondary winding to pin C1) and the rectifiers internal to the LTC3108. The rectifier circuit feeds current into the VAUX pin, providing charge to the external VAUX capacitor and the other outputs.

### VAUX

The active circuits within the LTC3108 are powered from VAUX, which should be bypassed with a 1 $\mu$ F capacitor. Larger capacitor values are recommended when using turns ratios of 1:50 or 1:20 (refer to the Typical Application examples). Once VAUX exceeds 2.5V, the main V<sub>OUT</sub> is allowed to start charging.

An internal shunt regulator limits the maximum voltage on VAUX to 5.25V typical. It shunts to GND any excess current into VAUX when there is no load on the converter or the input source is generating more power than is required by the load.

### Voltage Reference

The LTC3108 includes a precision, micropower reference, for accurate regulated output voltages. This reference becomes active as soon as VAUX exceeds 2V.

### Synchronous Rectifiers

Once VAUX exceeds 2V, synchronous rectifiers in parallel with each of the internal diodes take over the job of rectifying the input voltage, improving efficiency.

### Low Dropout Linear Regulator (LDO)

The LTC3108 includes a low current LDO to provide a regulated 2.2V output for powering low power processors or other low power ICs. The LDO is powered by the higher of VAUX or V<sub>OUT</sub>. This enables it to become active as soon as VAUX has charged to 2.3V, while the V<sub>OUT</sub> storage capacitor is still charging. In the event of a step load on the LDO output, current can come from the main V<sub>OUT</sub> capacitor if VAUX drops below V<sub>OUT</sub>. The LDO requires a 2.2 $\mu$ F ceramic capacitor for stability. Larger capacitor values can be used without limitation, but will increase the time it takes for all the outputs to charge up. The LDO output is current limited to 4mA minimum.

### V<sub>OUT</sub>

The main output voltage on V<sub>OUT</sub> is charged from the VAUX supply, and is user programmed to one of four regulated voltages using the voltage select pins VS1 and VS2, according to Table 2. Although the logic threshold voltage for VS1 and VS2 is 0.85V typical, it is recommended that they be tied to ground or VAUX.

**Table 2. Regulated Voltage Using Pins VS1 and VS2**

VS2	VS1	V <sub>OUT</sub>
GND	GND	2.35V
GND	VAUX	3.3V
VAUX	GND	4.1V
VAUX	VAUX	5V

When the output voltage drops slightly below the regulated value, the charging current will be enabled as long as VAUX is greater than 2.5V. Once V<sub>OUT</sub> has reached the proper value, the charging current is turned off.

The internal programmable resistor divider sets V<sub>OUT</sub>, eliminating the need for very high value external resistors that are susceptible to board leakage.

## OPERATION

In a typical application, a storage capacitor (typically a few hundred microfarads) is connected to  $V_{OUT}$ . As soon as  $VAUX$  exceeds 2.5V, the  $V_{OUT}$  capacitor will be allowed to charge up to its regulated voltage. The current available to charge the capacitor will depend on the input voltage and transformer turns ratio, but is limited to about 4.5mA typical.

### PGOOD

A power good comparator monitors the  $V_{OUT}$  voltage. The PGD pin is an open-drain output with a weak pull-up ( $1M\Omega$ ) to the LDO voltage. Once  $V_{OUT}$  has charged to within 7.5% of its regulated voltage, the PGD output will go high. If  $V_{OUT}$  drops more than 9% from its regulated voltage, PGD will go low. The PGD output is designed to drive a microprocessor or other chip I/O and is not intended to drive a higher current load such as an LED. Pulling PGD up externally to a voltage greater than VLDO will cause a small current to be sourced into VLDO. PGD can be pulled low in a wire-OR configuration with other circuitry.

### $V_{OUT2}$

$V_{OUT2}$  is an output that can be turned on and off by the host, using the  $V_{OUT2\_EN}$  pin. When enabled,  $V_{OUT2}$  is connected to  $V_{OUT}$  through a  $1.3\Omega$  P-channel MOSFET switch. This output, controlled by a host processor, can be used to power external circuits such as sensors and amplifiers, that do not have a low power sleep or shut-down capability.  $V_{OUT2}$  can be used to power these circuits only when they are needed.

Minimizing the amount of decoupling capacitance on  $V_{OUT2}$  will allow it to be switched on and off faster, allowing shorter burst times and, therefore, smaller duty cycles in pulsed applications such as a wireless sensor/transmitter. A small  $V_{OUT2}$  capacitor will also minimize the energy that will be wasted in charging the capacitor every time  $V_{OUT2}$  is enabled.

$V_{OUT2}$  has a soft-start time of about  $5\mu s$  to limit capacitor charging current and minimize glitching of the main output when  $V_{OUT2}$  is enabled. It also has a current limiting circuit that limits the peak current to 0.3A typical.

The  $V_{OUT2}$  enable input has a typical threshold of 1V with 100mV of hysteresis, making it logic-compatible. If  $V_{OUT2\_EN}$  (which has an internal pull-down resistor) is low,  $V_{OUT2}$  will be off. Driving  $V_{OUT2\_EN}$  high will turn on the  $V_{OUT2}$  output.

Note that while  $V_{OUT2\_EN}$  is high, the current limiting circuitry for  $V_{OUT2}$  draws an extra  $8\mu A$  of quiescent current from  $V_{OUT}$ . This added current draw has a negligible effect on the application and capacitor sizing, since the load on the  $V_{OUT2}$  output, when enabled, is likely to be orders of magnitude higher than  $8\mu A$ .

### VSTORE

The VSTORE output can be used to charge a large storage capacitor or rechargeable battery after  $V_{OUT}$  has reached regulation. Once  $V_{OUT}$  has reached regulation, the VSTORE output will be allowed to charge up to the  $VAUX$  voltage. The storage element on VSTORE can be used to power the system in the event that the input source is lost, or is unable to provide the current demanded by the  $V_{OUT}$ ,  $V_{OUT2}$  and LDO outputs. If  $VAUX$  drops below VSTORE, the LTC3108 will automatically draw current from the storage element. Note that it may take a long time to charge a large capacitor, depending on the input energy available and the loading on  $V_{OUT}$  and VLDO.

Since the maximum current from VSTORE is limited to a few milliamps, it can safely be used to trickle-charge NiCd or NiMH rechargeable batteries for energy storage when the input voltage is lost. Note that the VSTORE capacitor cannot supply large pulse currents to  $V_{OUT}$ . Any pulse load on  $V_{OUT}$  must be handled by the  $V_{OUT}$  capacitor.

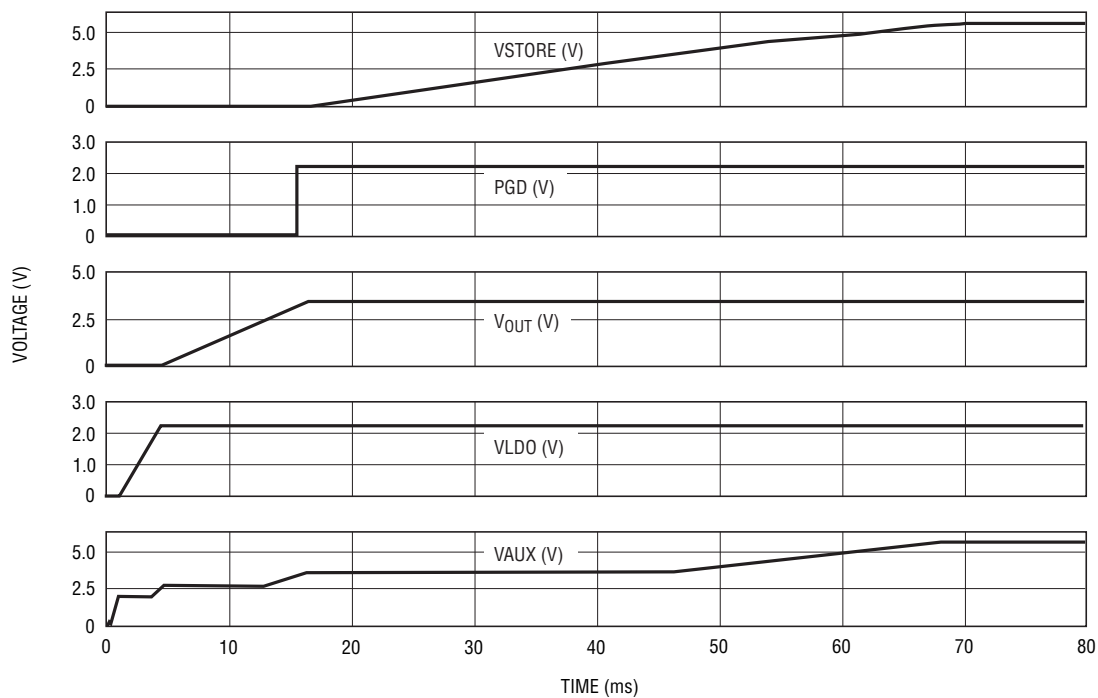
### Short-Circuit Protection

All outputs of the LTC3108 are current limited to protect against short-circuits to ground.

### Output Voltage Sequencing

A timing diagram showing the typical charging and voltage sequencing of the outputs is shown in Figure 1. Note: time not to scale.

## OPERATION



3108 F01a

Figure 1. Output Voltage Sequencing with  $V_{OUT}$  Programmed for 3.3V (Time Not to Scale)

## APPLICATIONS INFORMATION

### Introduction

The LTC3108 is designed to gather energy from very low input voltage sources and convert it to usable output voltages to power microprocessors, wireless transmitters and analog sensors. Such applications typically require much more peak power, and at higher voltages, than the input voltage source can produce. The LTC3108 is designed to accumulate and manage energy over a long period of time to enable short power bursts for acquiring and transmitting data. The bursts must occur at a low enough duty cycle such that the total output energy during the burst does not exceed the average source power integrated over the accumulation time between bursts. For many applications, this time between bursts could be seconds, minutes or hours.

The PGD signal can be used to enable a sleeping microprocessor or other circuitry when  $V_{OUT}$  reaches regulation, indicating that enough energy is available for a burst.

### Input Voltage Sources

The LTC3108 can operate from a number of low input voltage sources, such as Peltier cells, photovoltaic cells or thermopile generators. The minimum input voltage required for a given application will depend on the transformer turns ratio, the load power required, and the internal DC resistance (ESR) of the voltage source. Lower ESR will allow the use of lower input voltages, and provide higher output power capability.

Refer to the  $I_{IN}$  vs  $V_{IN}$  curves in the Typical Performance Characteristics section to see what input current is required from the source for a given input voltage.

For a given transformer turns ratio, there is a maximum recommended input voltage to avoid excessively high secondary voltages and power dissipation in the shunt regulator. It is recommended that the maximum input voltage times the turns ratio be less than 50.

Note that a low ESR bulk decoupling capacitor will usually be required across the input source to prevent large voltage droop and ripple caused by the source's ESR and the peak primary switching current (which can reach hundreds of milliamps). The time constant of the filter capacitor and the ESR of the voltage source should be much longer than the period of the resonant switching frequency.

### Peltier Cell (Thermoelectric Generator)

A Peltier cell (also known as a thermoelectric cooler) is made up of a large number of series-connected P-N junctions, sandwiched between two parallel ceramic plates. Although Peltier cells are often used as coolers by applying a DC voltage to their inputs, they will also generate a DC output voltage, using the Seebeck effect, when the two plates are at different temperatures. The polarity of the output voltage will depend on the polarity of the temperature differential between the plates. The magnitude of the output voltage is proportional to the magnitude of the

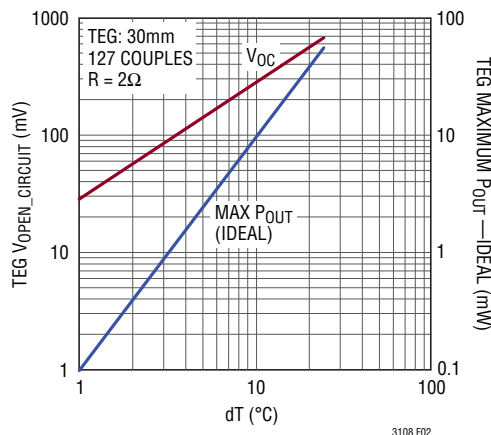


Figure 2. Typical Performance of a Peltier Cell Acting as a Thermoelectric Generator

## APPLICATIONS INFORMATION

temperature differential between the plates. When used in this manner, a Peltier cell is referred to as a thermoelectric generator (TEG).

The low voltage capability of the LTC3108 design allows it to operate from a TEG with temperature differentials as low as 1°C, making it ideal for harvesting energy in applications in which a temperature difference exists between two surfaces or between a surface and the ambient temperature. The internal resistance (ESR) of most cells is in the range of 1Ω to 5Ω, allowing for reasonable power transfer. The curves in Figure 2 show the open-circuit output voltage and maximum power transfer for a typical Peltier cell (with an ESR of 2Ω) over a 20°C range of temperature differential.

### TEG Load Matching

The LTC3108 was designed to present a minimum input resistance (load) in the range of 2Ω to 10Ω, depending on input voltage and transformer turns ratio (as shown in the Typical Performance Characteristics curves). For a given turns ratio, as the input voltage drops, the input resistance increases. This feature allows the LTC3108 to optimize power transfer from sources with a few ohms of source resistance, such as a typical TEG. Note that a lower

source resistance will always provide more output current capability by providing a higher input voltage under load.

### Peltier Cell (TEG) Suppliers

Peltier cells are available in a wide range of sizes and power capabilities, from less than 10mm square to over 50mm square. They are typically 2mm to 5mm in height. A list of Peltier cell manufacturers is given in Table 3.

**Table 3. Peltier Cell Manufacturers**

CUI, Inc. <a href="http://www.cui.com">www.cui.com</a> (Distributor)
Fujitaka <a href="http://www.fujitaka.com/pub/peltier/english/thermoelectric_power.html">www.fujitaka.com/pub/peltier/english/thermoelectric_power.html</a>
Ferrotec <a href="http://www.ferrotec.com/products/thermal/modules">www.ferrotec.com/products/thermal/modules</a>
Kryotherm <a href="http://www.kryothermusa.com">www.kryothermusa.com</a>
Laird Technologies <a href="http://www.lairdtech.com">www.lairdtech.com</a>
Marlow Industries <a href="http://www.marlow.com">www.marlow.com</a>
Micropelt <a href="http://www.micropelt.com">www.micropelt.com</a>
Nextreme <a href="http://www.nextreme.com">www.nextreme.com</a>
TE Technology <a href="http://www.tetech.com/Peltier-Thermoelectric-Cooler-Modules.html">www.tetech.com/Peltier-Thermoelectric-Cooler-Modules.html</a>
Tellurex <a href="http://www.tellurex.com">www.tellurex.com</a>

**Table 4. Recommended TEG Part Numbers by Size**

MANUFACTURER	15mm × 15mm	20mm × 20mm	30mm × 30mm	40mm × 40mm
CUI Inc. (Distributor)	CP60133	CP60233	CP60333	CP85438
Ferrotec	9501/031/030 B	9501/071/040 B	9500/097/090 B	9500/127/100 B
Fujitaka	FPH13106NC	FPH17106NC	FPH17108AC	FPH112708AC
Kryotherm			TGM-127-1.0-0.8	LCB-127-1.4-1.15
Laird Technology			PT6.7.F2.3030.W6	PT8.12.F2.4040.TA.W6
Marlow Industries		RC3-8-01	RC6-6-01	RC12-8-01LS
Tellurex	C2-15-0405	C2-20-0409	C2-30-1505	C2-40-1509
TE Technology	TE-31-1.0-1.3	TE-31-1.4-1.15	TE-71-1.4-1.15	TE-127-1.4-1.05

## APPLICATIONS INFORMATION

### Thermopile Generator

Thermopile generators (also called powerpile generators) are made up of a number of series-connected thermocouples enclosed in a metal tube. They are commonly used in gas burner applications to generate a DC output of hundreds of millivolts when exposed to the high temperature of a flame. Typical examples are the Honeywell CQ200 and Q313. These devices have an internal series resistance of less than  $3\Omega$ , and can generate as much as 750mV open-circuit at their highest rated temperature. For applications in which the temperature rise is too high for a solid-state thermoelectric device, a thermopile can be used as an energy source to power the LTC3108. Because of the higher output voltages possible with a thermopile generator, a lower transformer turns ratio can be used (typically 1:20, depending on the application).

### Photovoltaic Cell

The LTC3108 converter can also operate from a single photovoltaic cell (also known as a PV or solar cell) at light levels too low for other low input voltage boost converters to operate. However, many variables will affect the performance in these applications. Light levels can vary over several orders of magnitude and depend on lighting conditions (the type of lighting and indoor versus outdoor). Different types of light (sunlight, incandescent, fluorescent) also have different color spectra, and will produce different output power levels depending on which type of photovoltaic cell is being used (monocrystalline, polycrystalline or thin-film). Therefore, the photovoltaic cell must be chosen for the type and amount of light available. Note that the short-circuit output current from the cell must be at least a few milliamps in order to power the LTC3108 converter

### Non-Boost Applications

The LTC3108 can also be used as an energy harvester and power manager for input sources that do not require boosting. In these applications the step-up transformer can be eliminated.

Any source whose peak voltage exceeds 2.5V AC or 5V DC can be connected to the C1 input through a current-limiting resistor where it will be rectified/peak detected. In

these applications the C2 and SW pins are not used and can be grounded or left open.

Examples of such input sources would be piezoelectric transducers, vibration energy harvesters, low current generators, a stack of low current solar cells or a 60Hz AC input.

A series resistance of at least  $100\Omega/V$  should be used to limit the maximum current into the VAUX shunt regulator.

## COMPONENT SELECTION

### Step-Up Transformer

The step-up transformer turns ratio will determine how low the input voltage can be for the converter to start. Using a 1:100 ratio can yield start-up voltages as low as 20mV. Other factors that affect performance are the DC resistance of the transformer windings and the inductance of the windings. Higher DC resistance will result in lower efficiency. The secondary winding inductance will determine the resonant frequency of the oscillator, according to the following formula.

$$\text{Frequency} = \frac{1}{2 \cdot \pi \cdot \sqrt{L(\text{sec}) \cdot C}} \text{ Hz}$$

Where L is the inductance of the transformer secondary winding and C is the load capacitance on the secondary winding. This is comprised of the input capacitance at pin C2, typically 30pF, in parallel with the transformer secondary winding's shunt capacitance. The recommended resonant frequency is in the range of 10kHz to 100kHz. See Table 5 for some recommended transformers.

**Table 5. Recommended Transformers**

VENDOR	PART NUMBER
Coilcraft www.coilcraft.com	LPR6235-752SML (1:100 Ratio)
	LPR6235-253PML (1:20 Ratio)
	LPR6235-123QML (1:50 Ratio)
Würth www.we-online	74488540070 (1:100 Ratio)
	74488540120 (1:50 Ratio)
	74488540250 (1:20 Ratio)

## APPLICATIONS INFORMATION

### C1 Capacitor

The charge pump capacitor that is connected from the transformer's secondary winding to the C1 pin has an effect on converter input resistance and maximum output current capability. Generally, a minimum value of 1nF is recommended when operating from very low input voltages using a transformer with a ratio of 1:100. Too large a capacitor value can compromise performance when operating at low input voltage or with high resistance sources. For higher input voltages and lower turns ratios, the value of the C1 capacitor can be increased for higher output current capability. Refer to the Typical Applications schematic examples for the recommended value for a given turns ratio.

### Squegging

Certain types of oscillators, including transformer-coupled oscillators such as the resonant oscillator of the LTC3108, can exhibit a phenomenon called squegging. This term refers to a condition that can occur which blocks or stops the oscillation for a period of time much longer than the period of oscillation, resulting in bursts of oscillation. An example of this is the blocking oscillator, which is designed to squegg to produce bursts of oscillation. Squegging is also encountered in RF oscillators and regenerative receivers.

In the case of the LTC3108, squegging can occur when a charge builds up on the C2 gate coupling capacitor, such that the DC bias point shifts and oscillation is extinguished for a certain period of time, until the charge on the capacitor bleeds off, allowing oscillation to resume. It is difficult to predict when and if squegging will occur in a given application. While squegging is not harmful, it reduces the average output current capability of the LTC3108.

Squegging can easily be avoided by the addition of a bleeder resistor in parallel with the coupling capacitor on the C2 pin. Resistor values in the range of 100k to 1M $\Omega$  are sufficient to eliminate squegging without having any negative impact on performance. For the 330pF capacitor used for C2 in most applications, a 499k bleeder resistor is recommended. See the Typical Applications schematics for an example.

### Using External Charge Pump Rectifiers

The synchronous charge pump rectifiers in the LTC3108 (connected to the C1 pin) are optimized for operation from very low input voltage sources, using typical transformer step-up ratios between 1:100 and 1:50, and typical C1 charge pump capacitor values less than 10nF.

Operation from higher input voltage sources (typically 250mV or greater, under load), allows the use of lower transformer step-up ratios (such as 1:20 and 1:10) and larger C1 capacitor values to provide higher output current capability from the LTC3108. However, due to the resulting increase in rectifier currents and resonant oscillator frequency in these applications, the use of external charge pump rectifiers is recommended for optimal performance.

In applications where the step-up ratio is 1:20 or less, and the C1 capacitor is 10nF or greater, the C1 pin should be grounded and two external rectifiers (such as 1N4148 or 1N914 diodes) should be used. These are available as dual diodes in a single package. Avoid the use of Schottky rectifiers, as their lower forward voltage drop increases the minimum start-up voltage. See the Typical Applications schematics for an example.

### V<sub>OUT</sub> and VSTORE Capacitor

For pulsed load applications, the V<sub>OUT</sub> capacitor should be sized to provide the necessary current when the load is pulsed on. The capacitor value required will be dictated by the load current, the duration of the load pulse, and the amount of voltage droop the circuit can tolerate. The capacitor must be rated for whatever voltage has been selected for V<sub>OUT</sub> by VS1 and VS2.

$$C_{OUT}(\mu F) \geq \frac{I_{LOAD}(mA) \cdot t_{PULSE}(ms)}{V_{OUT}(V)}$$

Note that there must be enough energy available from the input voltage source for V<sub>OUT</sub> to recharge the capacitor during the interval between load pulses (to be discussed in the next example). Reducing the duty cycle of the load pulse will allow operation with less input energy.

The VSTORE capacitor may be of very large value (thousands of microfarads or even Farads), to provide holdup





## APPLICATIONS INFORMATION

maximum rate at which the load pulses can occur for a given output current from the LTC3108 will also be shown.

In this example,  $V_{OUT}$  is set to 3.3V, and the maximum allowed voltage droop during a transmit burst is 10%, or 0.33V. The duration of a transmit burst is 1ms, with a total average current requirement of 40mA during the burst. Given these factors, the minimum required capacitance on  $V_{OUT}$  is:

$$C_{OUT}(\mu F) \geq \frac{40mA \cdot 1ms}{0.33V} = 121\mu F$$

Note that this equation neglects the effect of capacitor ESR on output voltage droop. For most ceramic or low ESR tantalum capacitors, the ESR will have a negligible effect at these load currents.

A standard value of 150 $\mu$ F or larger could be used for  $C_{OUT}$  in this case. Note that the load current is the total current draw on  $V_{OUT}$ ,  $V_{OUT2}$  and VLDO, since the current for all of these outputs must come from  $V_{OUT}$  during a burst. Current contribution from the holdup capacitor on VSTORE is not considered, since it may not be able to recharge between bursts. Also, it is assumed that the charge current from the LTC3108 is negligible compared to the magnitude of the load current during the burst.

To calculate the maximum rate at which load bursts can occur, determine how much charge current is available from the LTC3108  $V_{OUT}$  pin given the input voltage source being used. This number is best found empirically, since there are many factors affecting the efficiency of the converter. Also determine what the total load current is on  $V_{OUT}$  during the sleep state (between bursts). Note that this must include any losses, such as storage capacitor leakage.

Assume, for instance, that the charge current from the LTC3108 is 50 $\mu$ A and the total current drawn on  $V_{OUT}$  in the sleep state is 17 $\mu$ A, including capacitor leakage. In addition, use the value of 150 $\mu$ F for the  $V_{OUT}$  capacitor. The maximum transmit rate (neglecting the duration of the transmit burst, which is typically very short) is then given by:

$$t = \frac{150\mu F \cdot 0.33V}{(50\mu A - 17\mu A)} = 1.5\text{sec or } f_{MAX} = 0.666\text{Hz}$$

Therefore, in this application example, the circuit can support a 1ms transmit burst every 1.5 seconds.

It can be determined that for systems that only need to transmit every few seconds (or minutes or hours), the average charge current required is extremely small, as long as the sleep current is low. Even if the available charge current in the example above was only 10 $\mu$ A and the sleep current was only 5 $\mu$ A, it could still transmit a burst every ten seconds.

The following formula enables the user to calculate the time it will take to charge the LDO output capacitor and the  $V_{OUT}$  capacitor the first time, from 0V. Here again, the charge current available from the LTC3108 must be known. For this calculation, it is assumed that the LDO output capacitor is 2.2 $\mu$ F.

$$t_{LDO} = \frac{2.2V \cdot 2.2\mu F}{I_{CHG} - I_{LDO}}$$

If there were 50 $\mu$ A of charge current available and a 5 $\mu$ A load on the LDO (when the processor is sleeping), the time for the LDO to reach regulation would be 107ms.

If  $V_{OUT}$  were programmed to 3.3V and the  $V_{OUT}$  capacitor was 150 $\mu$ F, the time for  $V_{OUT}$  to reach regulation would be:

$$t_{VOUT} = \frac{3.3V \cdot 150\mu F}{I_{CHG} - I_{VOUT} - I_{LDO}} + t_{LDO}$$

If there were 50 $\mu$ A of charge current available and 5 $\mu$ A of load on  $V_{OUT}$ , the time for  $V_{OUT}$  to reach regulation after the initial application of power would be 12.5 seconds.

### Design Example 2

In many pulsed load applications, the duration, magnitude and frequency of the load current bursts are known and fixed. In these cases, the average charge current required from the LTC3108 to support the average load must be calculated, which can be easily done by the following:

$$I_{CHG} \geq I_Q + \frac{I_{BURST} \cdot t}{T}$$

Where  $I_Q$  is the sleep current on  $V_{OUT}$  required by the external circuitry in between bursts (including cap leakage),  $I_{BURST}$  is the total load current during the burst,  $t$  is

## APPLICATIONS INFORMATION

the duration of the burst and T is the period of the transmit burst rate (essentially the time between bursts).

In this example,  $I_Q = 5\mu\text{A}$ ,  $I_{BURST} = 100\text{mA}$ ,  $t = 5\text{ms}$  and  $T = \text{one hour}$ . The average charge current required from the LTC3108 would be:

$$I_{CHG} \geq 5\mu\text{A} + \frac{100\text{mA} \cdot 0.005\text{sec}}{3600\text{sec}} = 5.14\mu\text{A}$$

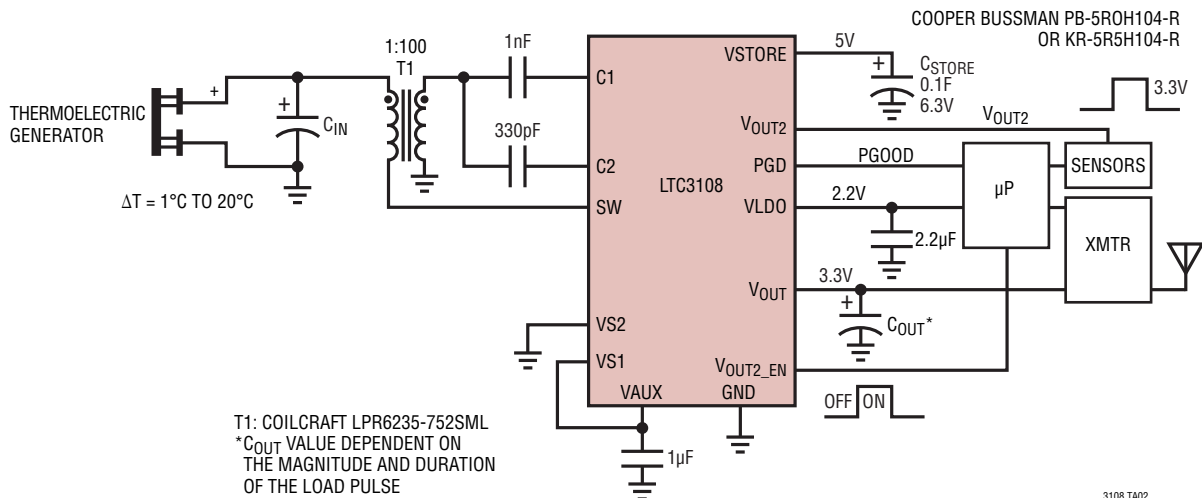
Therefore, if the LTC3108 has an input voltage that allows it to supply a charge current greater than  $5.14\mu\text{A}$ , the application can support  $100\text{mA}$  bursts lasting  $5\text{ms}$  every

hour. It can be determined that the sleep current of  $5\mu\text{A}$  is the dominant factor because the transmit duty cycle is so small (0.00014%). Note that for a  $V_{OUT}$  of  $3.3\text{V}$ , the average power required by this application is only  $17\mu\text{W}$  (not including converter losses).

Note that the charge current available from the LTC3108 has no effect on the sizing of the  $V_{OUT}$  capacitor (if it is assumed that the load current during a burst is much larger than the charge current), and the  $V_{OUT}$  capacitor has no effect on the maximum allowed burst rate.

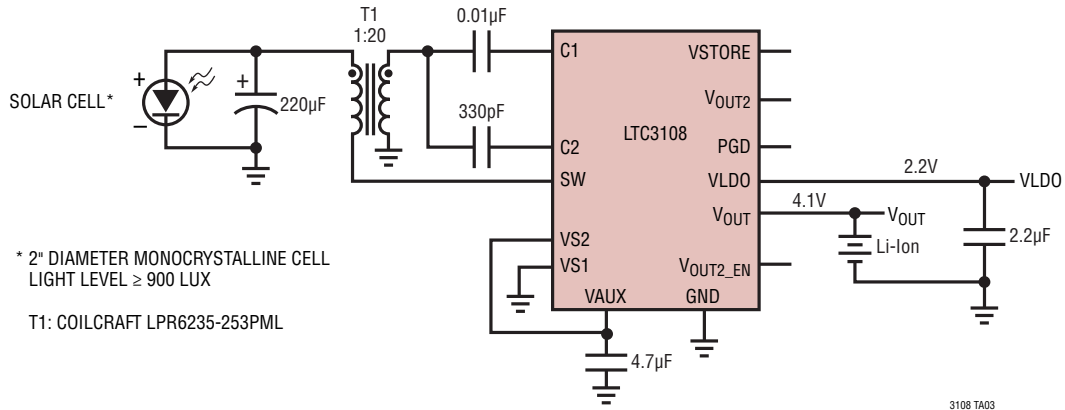
## TYPICAL APPLICATIONS

Peltier-Powered Energy Harvester for Remote Sensor Applications

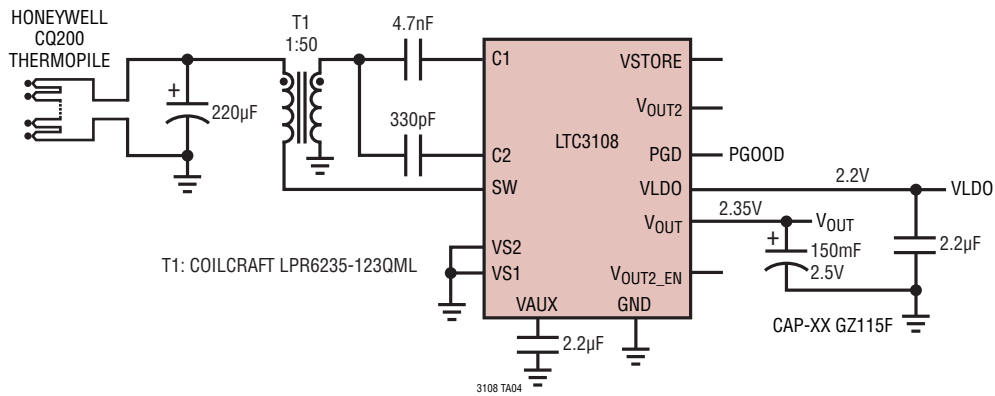


# TYPICAL APPLICATIONS

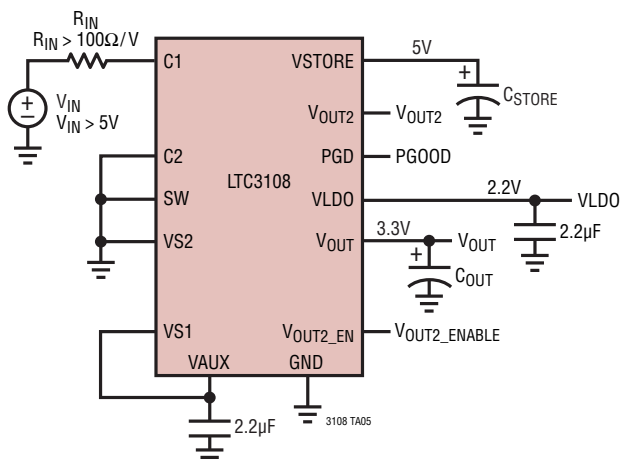
## Li-Ion Battery Charger and LDO Powered by a Solar Cell



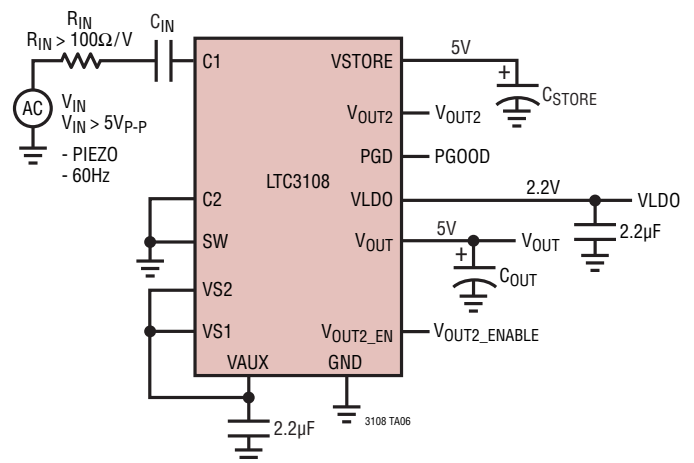
## Supercapacitor Charger and LDO Powered by a Thermopile Generator



## DC Input Energy Harvester and Power Manager

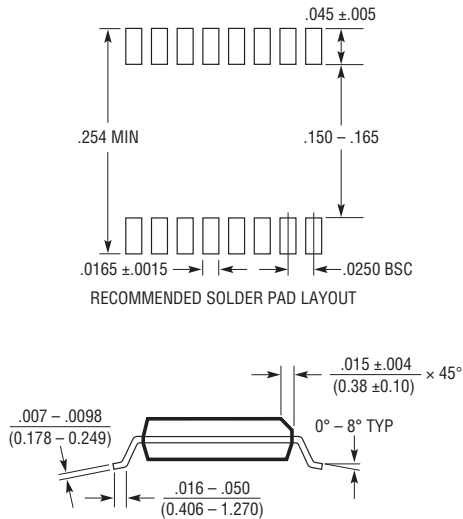


## AC Input Energy Harvester and Power Manager

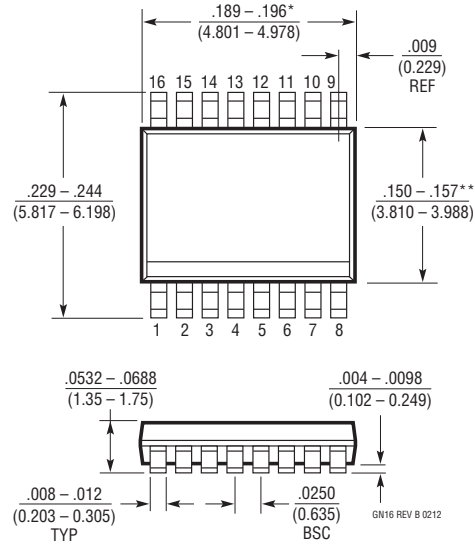


## PACKAGE DESCRIPTION

### GN Package 16-Lead Plastic SSOP (Narrow .150 Inch) (Reference LTC DWG # 05-08-1641 Rev B)

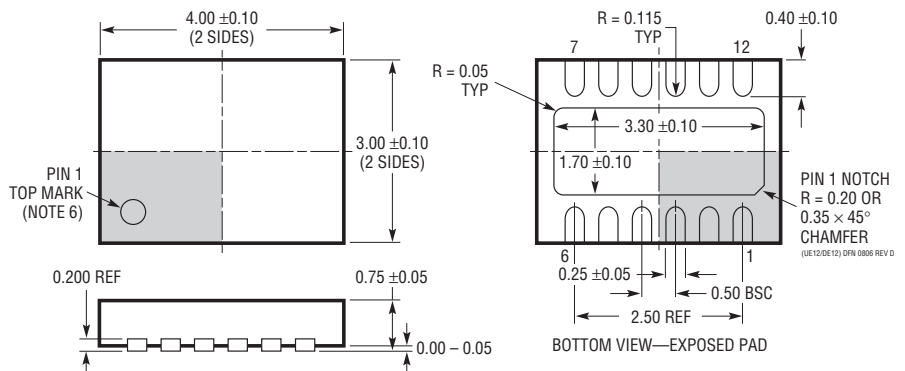
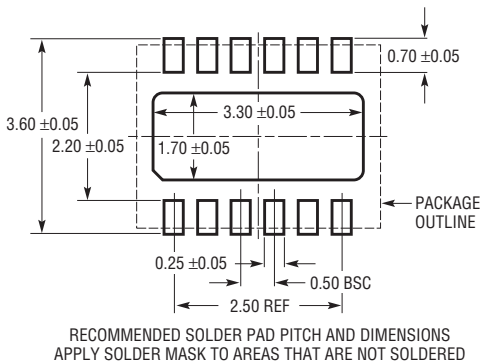


- NOTE:
1. CONTROLLING DIMENSION: INCHES
  2. DIMENSIONS ARE IN  $\frac{\text{INCHES}}{\text{MILLIMETERS}}$
  3. DRAWING NOT TO SCALE
  4. PIN 1 CAN BE BEVEL EDGE OR A DIMPLE



- \* DIMENSION DOES NOT INCLUDE MOLD FLASH. MOLD FLASH SHALL NOT EXCEED 0.006" (0.152mm) PER SIDE
- \*\* DIMENSION DOES NOT INCLUDE INTERLEAD FLASH. INTERLEAD FLASH SHALL NOT EXCEED 0.010" (0.254mm) PER SIDE

### DE/UE Package 12-Lead Plastic DFN (4mm × 3mm) (Reference LTC DWG # 05-08-1695 Rev D)



## REVISION HISTORY

REV	DATE	DESCRIPTION	PAGE NUMBER
A	04/10	Updated front page text and Typical Application	1
		Updated Absolute Maximum Ratings and Order Information sections	2
		Updated Electrical Characteristics	3
		Added graph (3108 G00) to Typical Performance Characteristics	4
		Updated Block Diagram	8
		Text added to Operation section	9
		Changes to Applications Information section	12-18
		Updated Typical Applications	18, 19, 22
		Updated Related Parts	22
B	06/13	Added vendor information to Table 5	14
C	08/13	Changed Würth transformer part numbers	14
D	03/19	Electrical Characteristics. LDO Dropout Voltage Temperature Range changed from Over Temperature to $T_A = 25^\circ\text{C}$ , $V_{OUT}$ , Current Limit Max & VSTORE Current Limit Max changed from 7V to 7.5V; VAUX Clamp Voltage Max changed from 5.55V to 5.6V	3