

GENERAL INFORMATION

LED Driver Type	Constant Voltage (Class 2)
Maximum Wattage	100 Watts
Input Voltage	120 - 277 VAC ± 10% Universal
Input Frequency	50/60Hz
Total Harmonic Distortion	<20%

CASE STYLE J: METAL



ELECTRICAL SPECIFICATIONS

Watts	Output Voltage	Max Output Current	Input Voltage	Input Power	Input Current	Power Factor	Efficiency	Hatch Part Number
100W	24 VDC	4.17A	120 - 277 VAC	112W	0.94/0.41A	>0.90	86%	LV100-24N-UNV-J

PRODUCT FEATURES

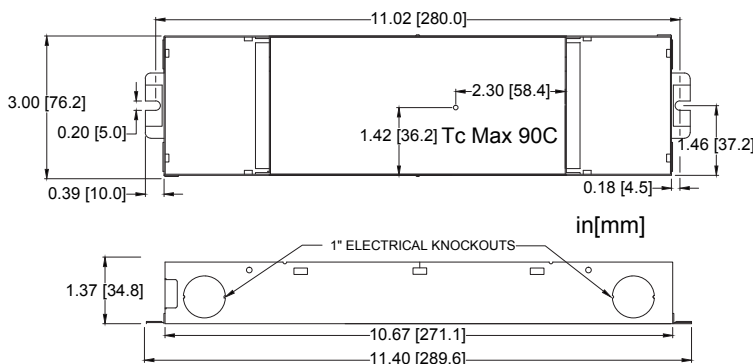
- Short circuit and overload protection
- Over temperature protection
- Suitable for dry and damp locations
- Withstanding voltage: I/P – O/P 2kVAC
- Minimum start temp: -30°C
- Inrush Current: <20A Max @230VAC, cold start 25°C
- Output Voltage tolerance +/- 5% @ 25°C
- No minimum load

APPROVALS

- UL 8750 listed component
- EN61000-3-2
- EMC: Meets FCC47 CFR Part 15 (Class B) consumer limits



MECHANICAL SPECIFICATIONS: CASE STYLE J



DIMENSIONS [IN/MM]

Length:	11.40 [289.6]
Mounting:	11.02 [280.0]
Width:	3.00 [76.2]
Height:	1.37 [34.8]

WIRING INFORMATION

Input:	12", Black (L), White (N) #18AWG
Output:	12", Red (+), Blue (-) #18AWG

PACKAGING INFORMATION

Weight:	39.2 oz
Quantity:	15pc/carton

WARRANTY

- 5 year limited warranty

RELATED PRODUCT

- Case Style I: 9.50" x 1.70" x 1.18"

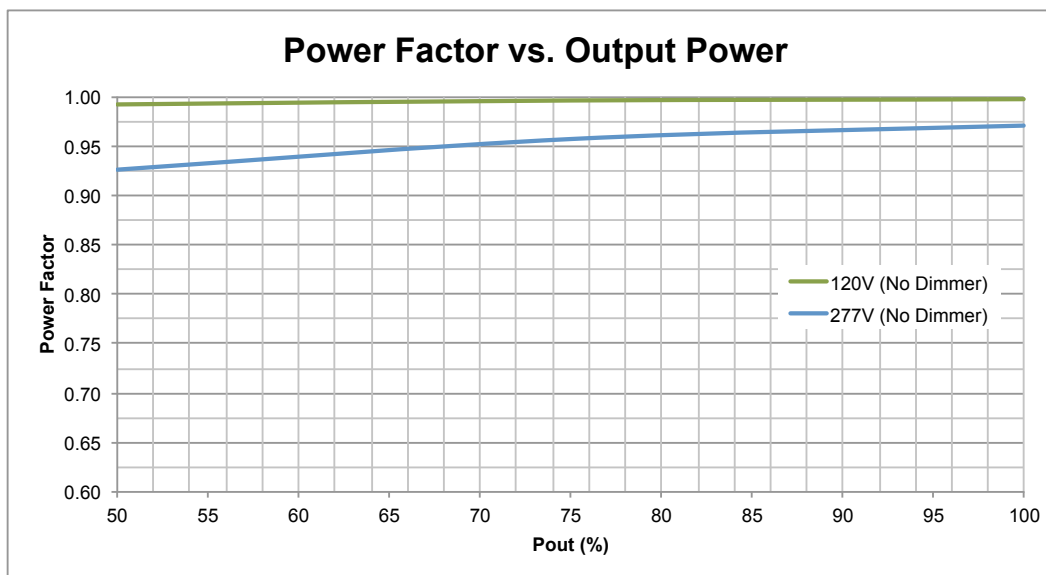
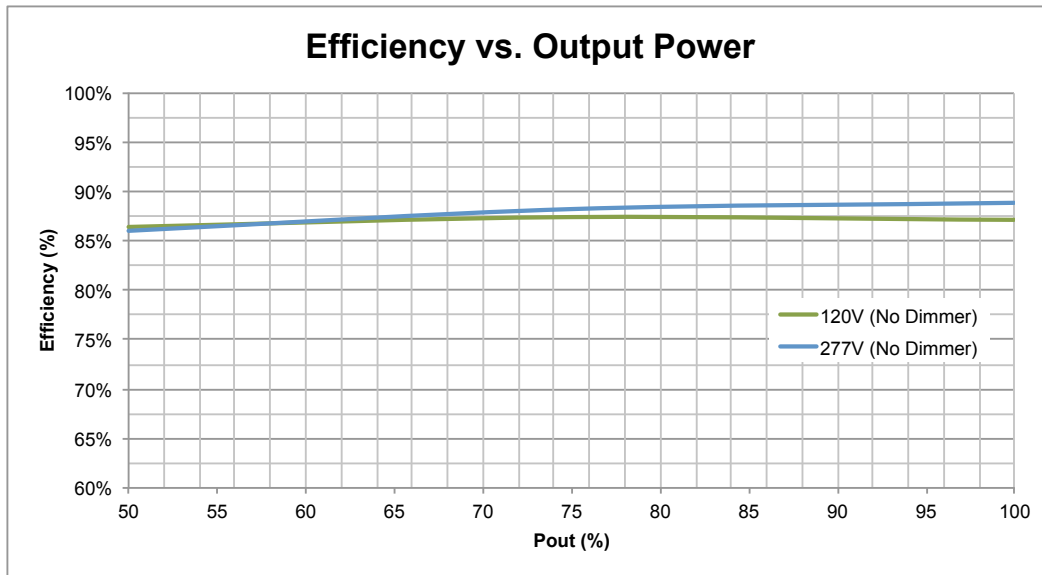
GENERAL INFORMATION

LED Driver Type	Constant Voltage (Class 2)
Maximum Wattage	100 Watts
Input Voltage	120 - 277 VAC ± 10% Universal
Input Frequency	50/60Hz
Total Harmonic Distortion	<20%

CASE STYLE J: METAL



PERFORMANCE CURVES



Efficiency and PF measured at 25°C.
Measurements made on model LV100-24N-UNV-J.