

GENERAL INFORMATION

LED Driver Type	Constant Voltage (Class 2)
Maximum Wattage	12 Watts
Input Voltage	120-277 VAC ± 10% Universal
Input Frequency	50/60Hz
Total Harmonic Distortion	<20%

CASE STYLE Y: POLYCARBONATE



ELECTRICAL SPECIFICATIONS

Max Watts*	Output Voltage	Max Output Current	Input Voltage	Input Power	Input Current	Power Factor	Efficiency	Hatch Part Number
12W	12 VDC	1.00A	120 - 277 VAC	16W	0.18/0.08A	>0.90	75%	LV12-12N-UNV-Y
	24 VDC	0.50A	120 - 277 VAC	15W	0.18/0.08A	>0.90	78%	LV12-24N-UNV-Y

*Minimum Load 6W

PRODUCT FEATURES

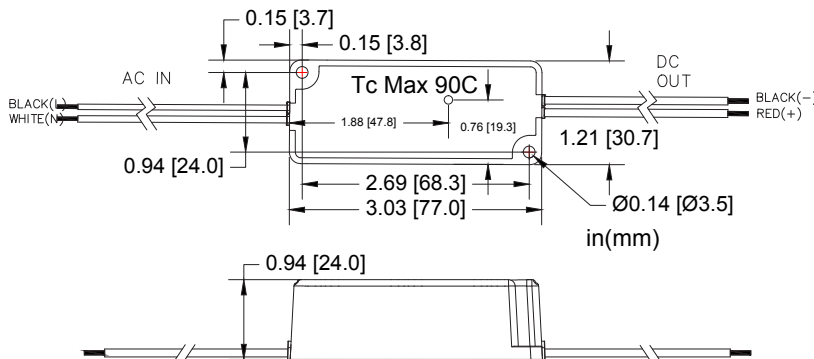
- Short circuit and overload protection
- Over temperature protection
- Suitable for dry, damp and wet locations
- Withstanding voltage: I/P – O/P 2kVAC
- Minimum start temp: -30°C
- Output Voltage tolerance +/- 5% @ 25°C
- 50% minimum load

APPROVALS

- UL 8750 recognized component
- EN61000-3-2
- EMC: Meets FCC47 CFR Part 15 (Class B) consumer limits
- IP65



MECHANICAL SPECIFICATIONS: CASE STYLE Y



DIMENSIONS [IN/MM]

Length:	3.03 [77.0]
Mounting:	2.69 [68.3]
Width:	0.94 [24.0]
Height:	0.94 [24.0]

WIRING INFORMATION

Input:	6", Black (L), White (N) #18AWG
Output:	6", Red (+), Blue (-) #18AWG

PACKAGING INFORMATION

Weight:	3.2 oz
Quantity:	40pc/carton

WARRANTY

- 5 year limited warranty

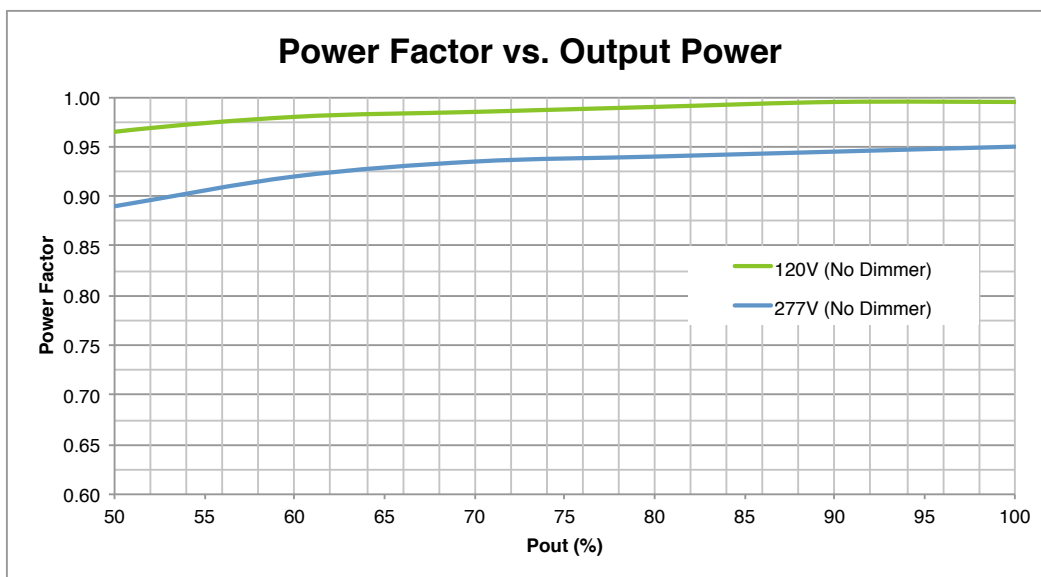
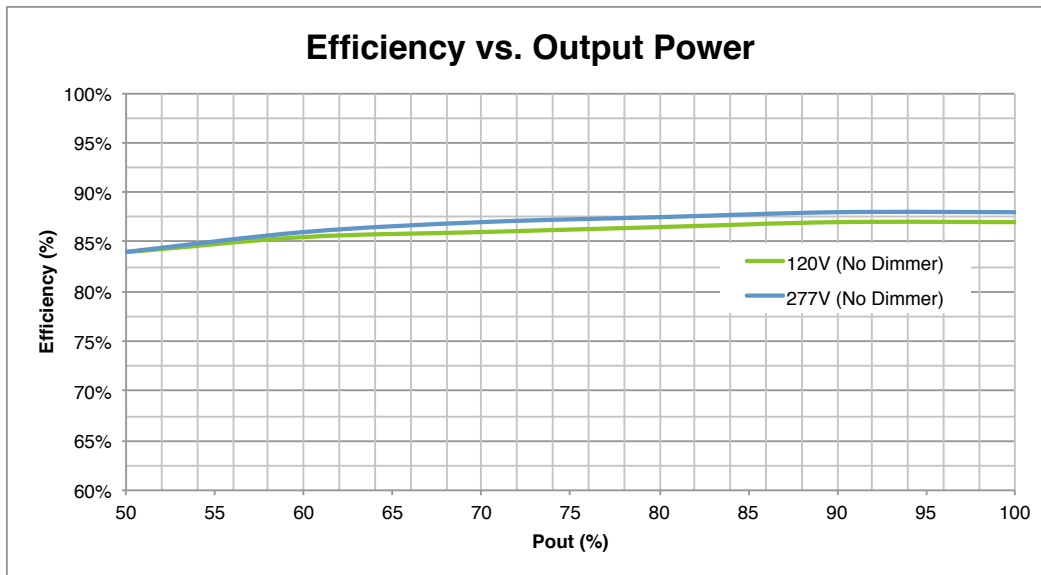
GENERAL INFORMATION

LED Driver Type	Constant Voltage (Class 2)
Maximum Wattage	12 Watts
Input Voltage	120-277 VAC ± 10% Universal
Input Frequency	50/60Hz
Total Harmonic Distortion	<20%

CASE STYLE Y: POLYCARBONATE



PERFORMANCE CURVES



Efficiency and PF measured at 25°C.