

## FEATURES

- Supports high frequency G.Fast transmission
- Supports VDSL2 and ADSL2+ operation
- Very low power dissipation
  - Class AB operation
- 5 programmable states
- No external gain resistors required
- Small footprint package
  - 16-pin (4 mm x 4 mm) QFN
- RoHS compliant

## APPLICATIONS

- G.Fast Line Driver
- VDSL2 Line Driver
- ADSL2+ CPE Line Driver

## DESCRIPTION

The Le87281 is a single channel differential amplifier designed to drive G.Fast transmission signals as well as VDSL2 and ADSL2+ signals with very low power dissipation. The Le87281 contains a pair of wideband amplifiers designed with Microsemi's HV15 Bipolar SOI process for low power consumption.

The line driver gain is fixed internally. The amplifiers are powered from a single supply.

The device can be programmed to one-of-three preset Bias levels or to impedance controlled Disable or Standby states. The control pins respond to input levels that can be generated with a standard tri-state GPIO.

The Le87281 is available in a 16-pin (4 mm x 4 mm) QFN package with exposed pad for enhanced thermal conductivity.

Document ID# 147990

Version 5

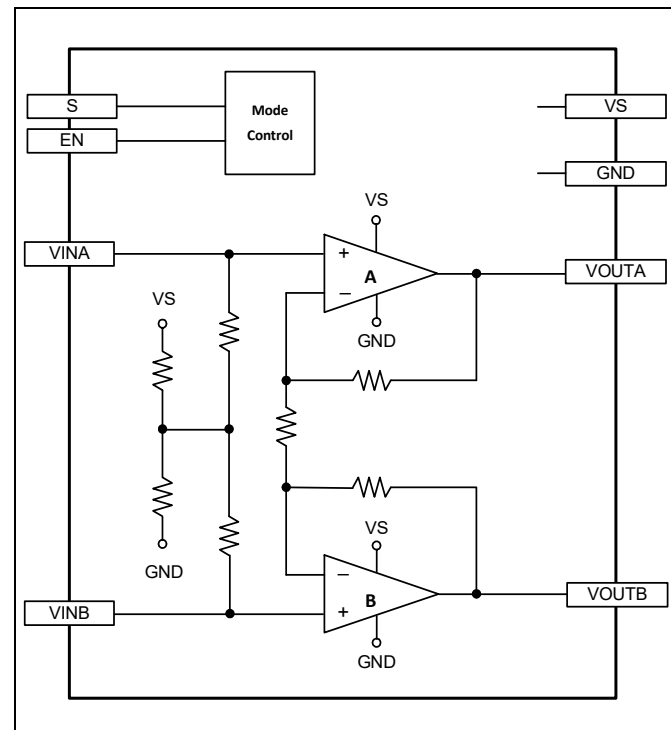
December 2017

## ORDERING INFORMATION

Le87281NQC	16-pin QFN Green Package	Tray
Le87281NQCCT	16-pin QFN Green Package	Tape and Reel

The green package meets RoHS 2 Directive 2011/65/EU of the European Council to minimize the environmental impact of electrical equipment.

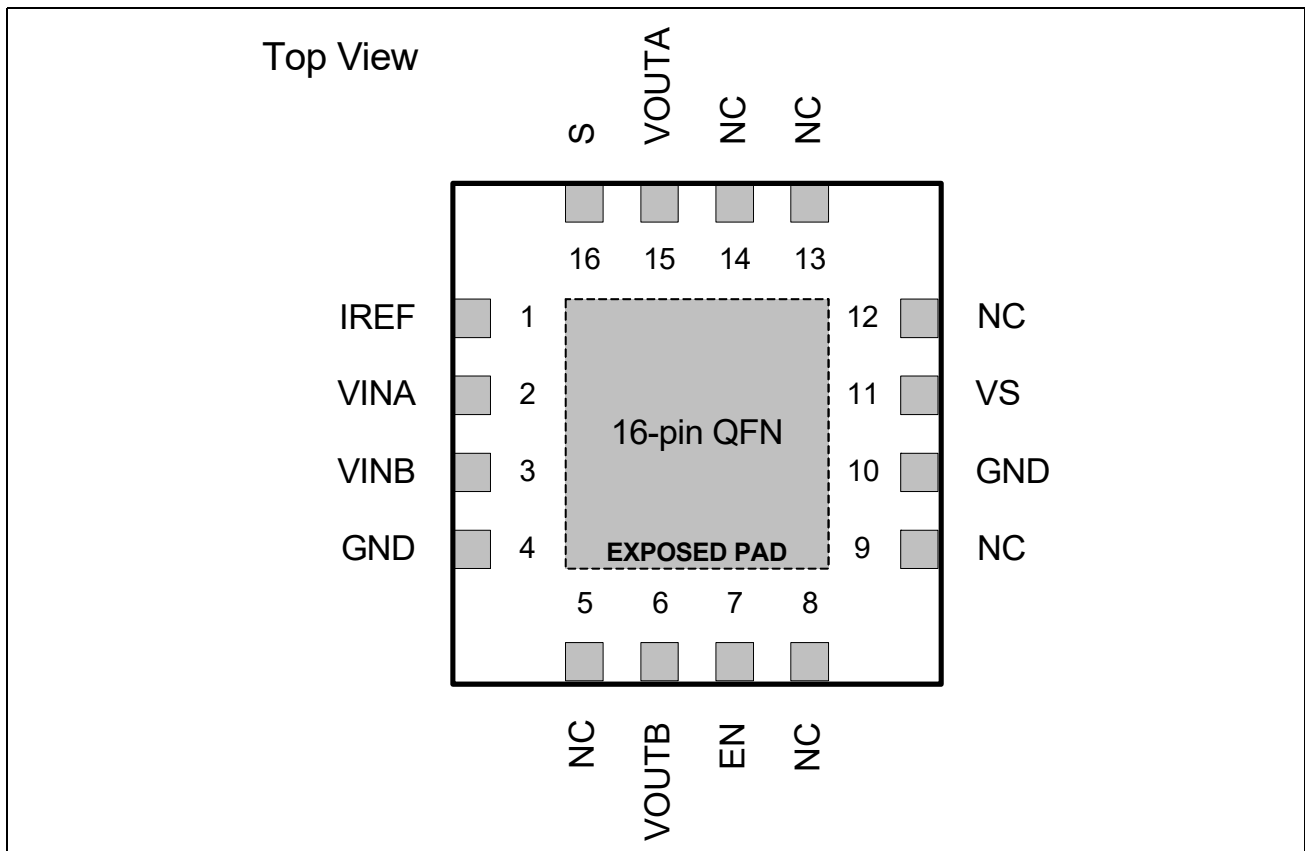
## BLOCK DIAGRAM



**TABLE OF CONTENTS**

<a href="#"><u>Features</u></a> .....	1
<a href="#"><u>Applications</u></a> .....	1
<a href="#"><u>Description</u></a> .....	1
<a href="#"><u>Ordering Information</u></a> .....	1
<a href="#"><u>Connection Diagram</u></a> .....	3
<a href="#"><u>Pin Descriptions</u></a> .....	4
<a href="#"><u>Absolute Maximum Ratings</u></a> .....	5
<a href="#"><u>Thermal Resistance</u></a> .....	5
<a href="#"><u>Package Assembly</u></a> .....	5
<a href="#"><u>Operating Ranges</u></a> .....	5
<a href="#"><u>Device Specifications</u></a> .....	6
<a href="#"><u>State Control</u></a> .....	7
<a href="#"><u>Applications</u></a> .....	8
<a href="#"><u>Line Driver Protection</u></a> .....	8
<a href="#"><u>Physical Dimensions</u></a> .....	9
<a href="#"><u>16-Pin QFN</u></a> .....	9

CONNECTION DIAGRAM



Note:

1. Pin 1 is marked for orientation.
2. The Le87281 device incorporates an exposed die pad on the underside of its package. The pad acts as a heat sink and must be connected to a copper plane through thermal vias, for proper heat dissipation. It is electrically isolated and maybe connected to GND.

**PIN DESCRIPTIONS**

Pin #	Pin Name	Type	Description
1	IREF	Input	Device internal reference current. Connect a resistor ( $R_{REF}$ ) to GND.
2	VINA	Input	Non-inverting input of amplifier A
3	VINB	Input	Non-inverting input of amplifier B
4	GND	Ground	Reference ground
5	NC		No internal connection
6	VOUSB	Output	Amplifier B output
7	EN	Input	Enable transmission
8	NC		No internal connection
9	NC		
10	GND	Ground	Reference ground
11	VS	Power	Power Supply, +12 V
12	NC		No internal connection
13	NC		
14	NC		
15	VOUSA	Output	Amplifier A output
16	S	Input	State control
	Exposed pad		Electrically isolated thermal conduction pad, can be grounded

## ABSOLUTE MAXIMUM RATINGS

Stresses above the values listed under *Absolute Maximum Ratings* can cause permanent device failure. Functionality at or above these limits is not implied. Exposure to absolute maximum ratings for extended periods can affect device reliability.

Storage Temperature	$-65 \leq T_A \leq +150 \text{ } ^\circ\text{C}$
Operating Junction Temperature <sup>(1)</sup>	$-40 \leq T_J \leq +150 \text{ } ^\circ\text{C}$
VS with respect to GND	-0.3 V to +16 V
Control inputs with respect to GND	-0.3 V to 4 V
Continuous Driver Output Current	100 mA
Maximum device power dissipation, continuous <sup>(2)</sup> - $T_A = 85^\circ\text{C}$ , $P_D$	1.0 W
Junction to ambient thermal resistance <sup>(2,3)</sup> , $\theta_{JA}$	52.0 $^\circ\text{C/W}$
Junction to board thermal resistance <sup>(2)</sup> , $\theta_{JB}$	26.0 $^\circ\text{C/W}$
Junction to case bottom (exposed pad) thermal resistance, $\theta_{JC}$ (BOTTOM)	14.6 $^\circ\text{C/W}$
Junction-to-top characterization parameter <sup>(2)</sup> , $\psi_{JT}$	3.1 $^\circ\text{C/W}$
ESD Immunity (Human Body Model)	JESD22 Class 2 compliant
ESD Immunity (Charge Device Model)	JESD22 Class IV compliant

### Notes:

1. Continuous operation above 145°C junction temperature may degrade device reliability.
2. See [Thermal Resistance](#).
3. No air flow.

## Thermal Resistance

The thermal performance of a thermally enhanced package is assured through optimized printed circuit board layout. Specified performance requires that the exposed thermal pad be soldered to an equally sized exposed copper surface, which, in turn, conducts heat through multiple vias to larger internal copper planes.

## Package Assembly

The green package devices are assembled with enhanced, environmental compatible lead-free, halogen-free, and antimony-free materials. The leads possess a matte-tin plating which is compatible with conventional board assembly processes or newer lead-free board assembly processes.

Refer to IPC/JEDEC J-Std-020 Table 4 for recommended peak soldering temperature and Table 5-2 for the recommended solder reflow temperature profile.

## OPERATING RANGES

Microsemi guarantees the performance of this device over the industrial (-40°C to 85°C) temperature range by conducting electrical characterization over each range and by conducting a production test with single insertion coupled with periodic sampling. These characterization and test procedures comply with the Telcordia GR-357-CORE Generic Requirements for Assuring the Reliability of Components Used in Telecommunications Equipment.

Ambient temperature	$T_A$	-40°C to +85°C
Power Supply	VS with respect to GND	+11.40V to +15.75V

**DEVICE SPECIFICATIONS**

**Typical Conditions:** As shown in the basic test circuit ([Figure 1](#)) with  $V_S = +12\text{ V}$ ,  $R_{REF} = 75\text{ k}\Omega$ , and  $T_A = 25^\circ\text{C}$ .

**Min/Max Parameters:**  $T_A = -40$  to  $+85^\circ\text{C}$ .

**Table 1. Electrical Specifications**

Symbol	Parameter Description	Condition	Min	Typ	Max	Unit	Notes
<b>Supply Current Characteristics</b>							
$P_{VS}$	Supply Power	Transmission, $P_{LINE} = 4\text{ dBm}$ , Full Bias		470	600	mW	
		Receive period, Disable state		175	250	mW	
$P_{IS}$	Supply Current	Standby State		1	1.5	mA	
<b>Control Input (S, EN) Specifications</b>							
$V_{IH}$	Input High Voltage		2.0	3.3	3.6	V	
$V_{IM}$	Input Middle Voltage			1.5		V	
$V_{IL}$	Input Low Voltage		-0.3	0	0.8	V	
	Enable Time			500		ns	
	Disable Time	Disable state		500		ns	
<b>Amplifier Characteristics</b>							
	Differential Gain	$V_{OUT}/V_{IN}$	18.3	18.8	19.1	dB	
	Gain Flatness	2 – 106 MHz	-1.5		1	dB	1
$V_O$	Output Voltage			10		V	
$I_O$	Output Current		150			mA	1
$Z_I$	Input Impedance	Differential	13	15	18	$\text{k}\Omega$	
$Z_O$	Output Impedance	Disable state		60		$\Omega$	
<b>Amplifier Dynamic Characteristics</b>							
Noise	Input Referred Noise	2 – 106 MHz		9	15	$\text{nV}/\sqrt{\text{Hz}}$	1
TSD	Thermal Shutdown Temperature			170		$^\circ\text{C}$	
<b>Notes:</b>							
1. Not tested in production. Guaranteed by characterization and design.							

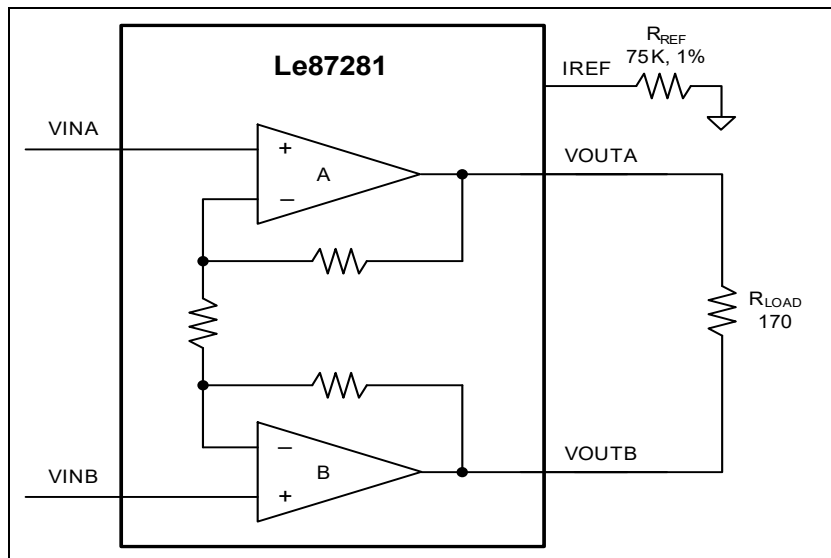


Figure 1. Basic Test Circuit

### STATE CONTROL

S and EN pins are used as combinatorial logic inputs to control the line driver operating states. [Table 2](#) shows the programmable states.

S and EN are tri-state inputs that accept three operating levels. These pins have internal resistors tied to +1.5 V which force a middle logic input level when the control to these pins is tri-stated.

Table 2. Control Matrix

S	EN	State	Application
X	0	Disable	
X	Open	Standby	
0	1	Enable Low Bias	ADSL2+
Open	1	Enable Medium Bias	VDSL2
1	1	Enable Full Bias	G.Fast

**Disable State:** Amplifier output =  $V_S/2$ . The Disable state should be used during the receive period. The device presents a controlled low impedance to the line during this state.

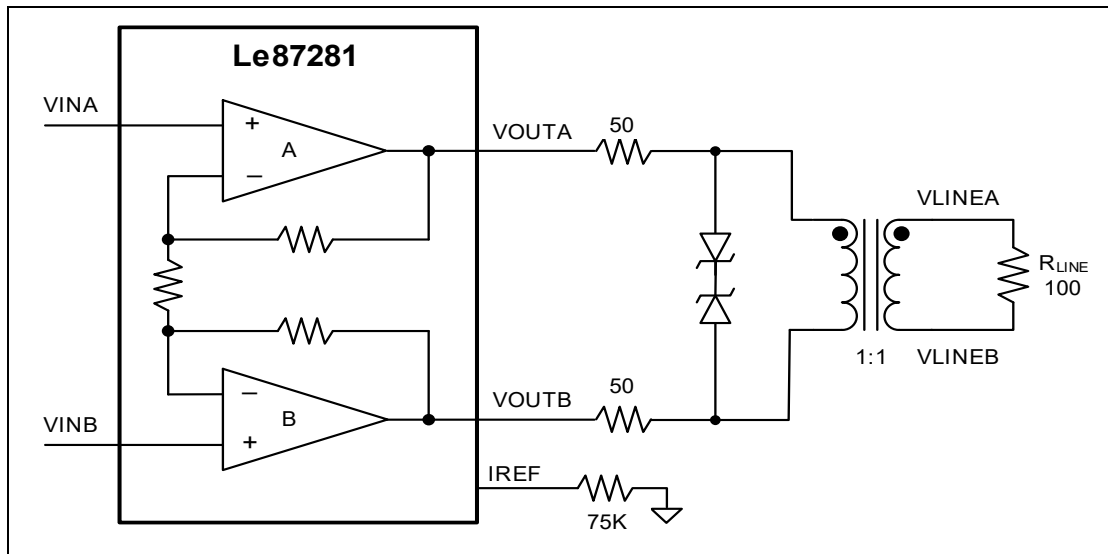
**Standby State:** Amplifier bias current removed. This is the lowest power state. Amplifier output is high impedance. Gain-setting feedback resistors are still connected across amplifier output pins, creating 1300 ohm differential impedance at pins.

**Bias States:** Line Driver is active for transmission. States are different only in the amount of bias current to the amplifiers, and therefore power consumption. There is a trade-off between bias current and bandwidth.

**APPLICATIONS**

The Le87281 integrates a set of high-power line driver amplifiers that can be connected for half-duplex differential line transmissions. The amplifiers are designed to be used with signals up to 106 MHz with low signal distortion.

Figure 2 shows an application circuit with amplifiers A and B in transmission.



**Figure 2. Typical Application Circuit**

**Input Considerations**

The driving source impedance should be less than 100 nH to avoid any ringing or oscillation.

**Output Driving Considerations**

The internal metallization is designed to carry up to about 100 mA of steady DC current and there is no current limit mechanism. The device does feature integrated thermal shutdown protection however with hysteresis. Driving lines with no series resistor is not recommended.

**Power Supplies and Component Placement**

The power supplies should be well bypassed close to the Le87281 device. A 2.2 μF tantalum capacitor and a 0.1 μF ceramic capacitor for the VS supply is recommended.

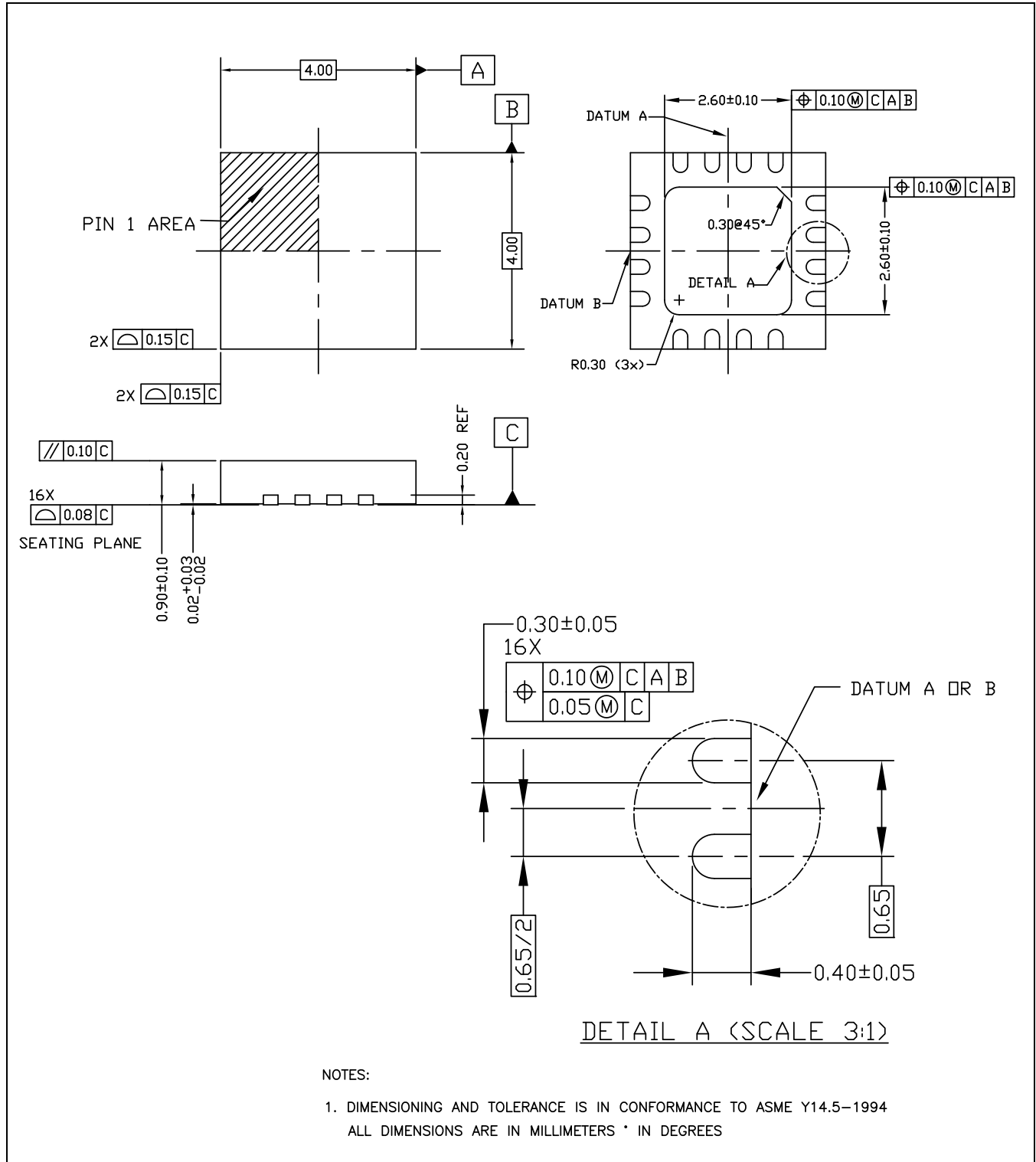
**Line Driver Protection**

High voltage transients such as lightning can appear on the telephone lines. Transient protection devices should be used to absorb the transient energy and clamp the transient voltages. The series output termination resistors limit the current going into the line driver and internal clamps. The protection scheme depends on the type of data transformer used and the line protection components used in the front of the data transformer.



**PHYSICAL DIMENSIONS**

**16-Pin QFN**



**Note:**

Packages may have mold tooling markings on the surface. These markings have no impact on the form, fit or function of the device. Markings will vary with the mold tool used in manufacturing.