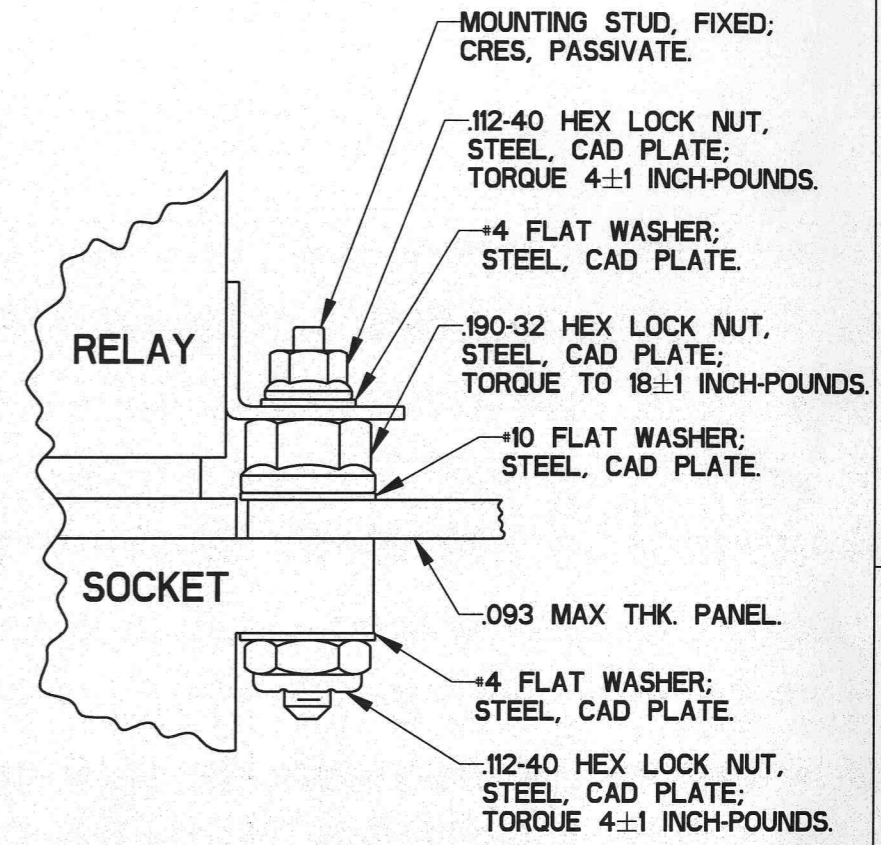
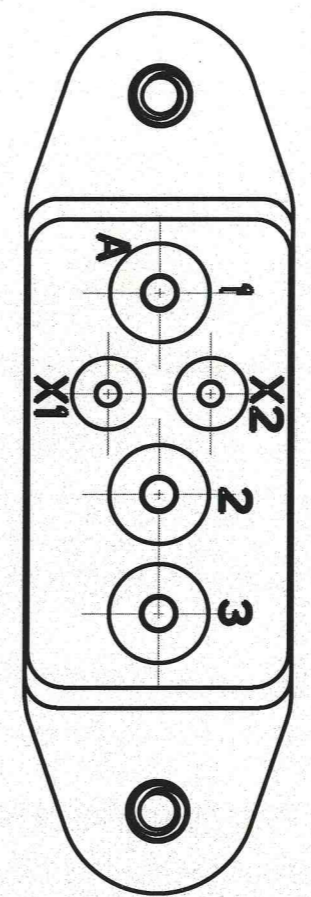
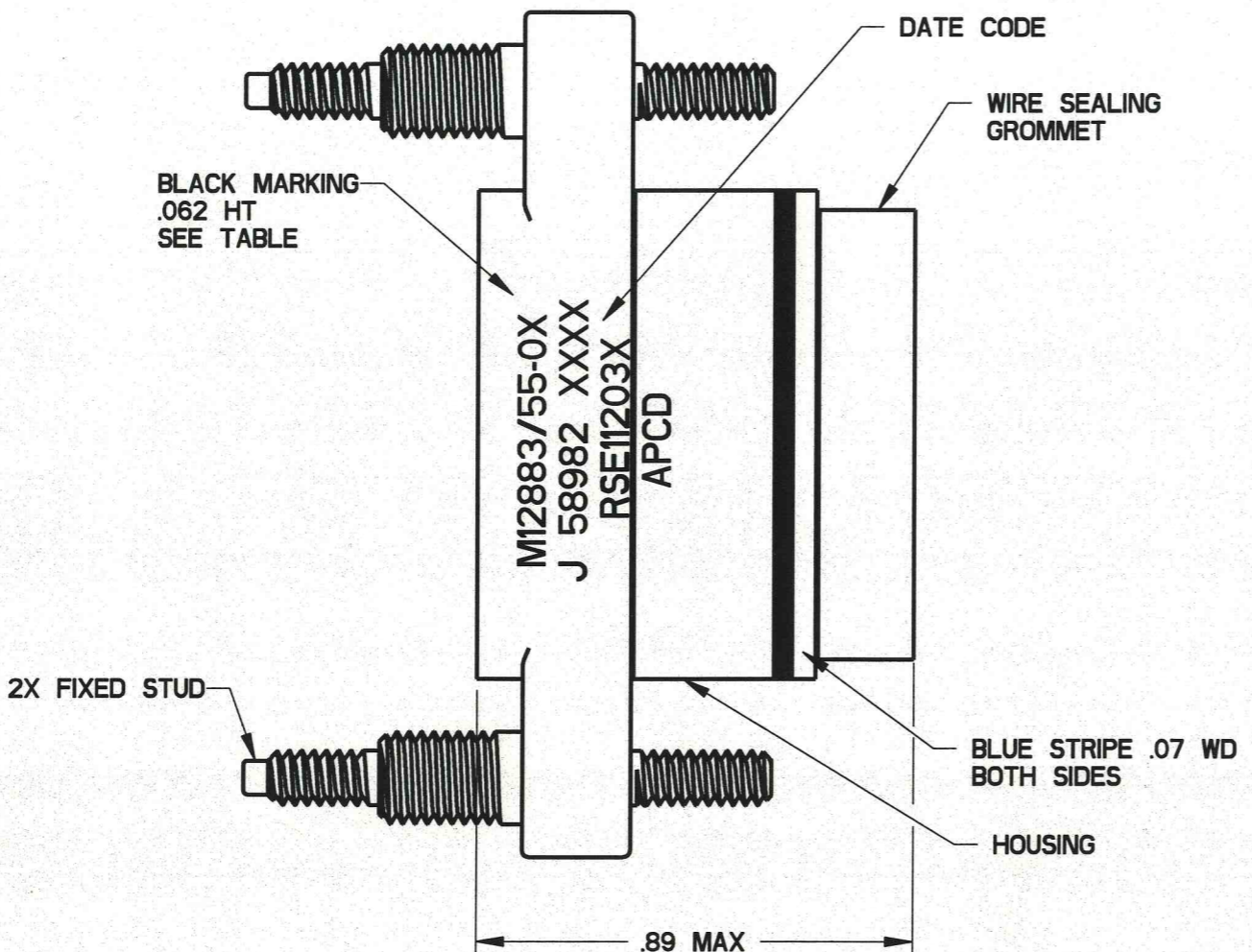
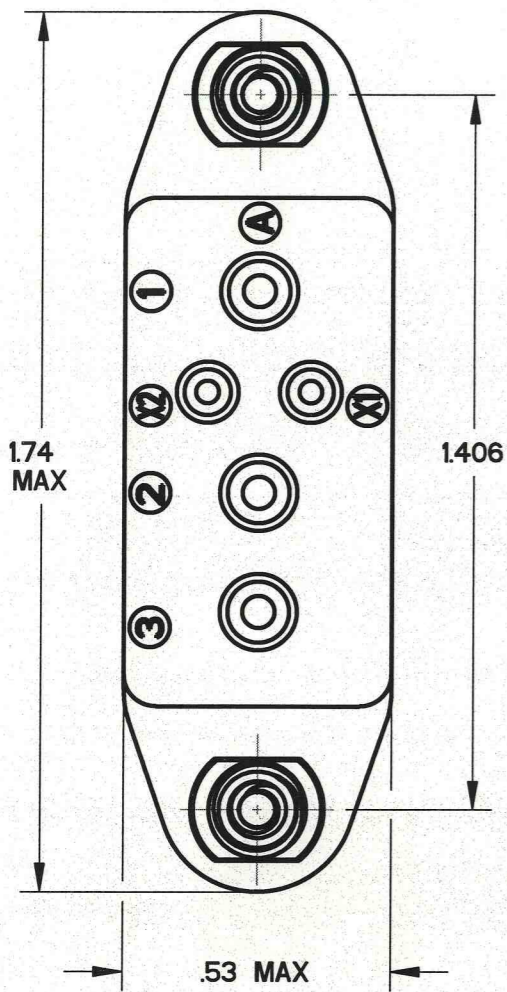


| | | |
|-----|------|------------------|
| REV | ECN | APP'D |
| A | 6494 | <i>DP 3/4/10</i> |



MOUNTING HARDWARE
TYP 2 PLACES

RSE112034

RSE112034

- NOTES:**
- CONFORMS TO PERFORMANCE REQUIREMENTS OF MIL-DTL-12883.
 - MATERIALS:**
HOUSING: POLYETHERIMIDE, COLOR: BLUE GREEN.
GROMMET - SILICONE RUBBER PER A-A-59588, 50±10 DUROMETER, COLOR: RED
 - SOCKET CONTACTS CONFORM TO PERFORMANCE REQUIREMENTS OF MIL-C-39029/92.
 - COMPLETE MOUNTING HARDWARE SUPPLIED.
 - OPERATING TEMPERATURE -70°C TO 125°C.
 - CONTACT INSTALLATION TOOLS:**
* 12 CONTACT - CRIMP TOOL: M22520/1-01
POSITIONER: M22520/1-02
INSERTION/REMOVAL: M81969/14-04
* 16 CONTACT - CRIMP TOOL: M22520/1-01
POSITIONER: M22520/1-02
INSERTION/REMOVAL: M81969/14-03

| RELAY SOCKET P/N | | SUPPLIED CONTACTS | | | | MARKING |
|------------------|-----------|-----------------------|---------------|-----------|-----|---|
| MILITARY | APCD | SIZE | MIL P/N | APCD P/N | QTY | |
| M12883/55-01 | RSE112034 | CONTACTS NOT SUPPLIED | | | | M12883/55-01 J 58982 XXXX RSE112035 |
| | RSE112035 | 12/12 | M39029/92-535 | CNS128900 | 3 | |
| 16/16 | | M39029/92-533 | CNS126900 | 2 | | |
| M12883/55-02 | RSE112036 | 12/16 | M39029/92-536 | CNS129900 | 3 | |
| | | 16/16 | M39029/92-533 | CNS126900 | 2 | |
| RSE112039 | | CONTACTS NOT SUPPLIED | | | | |

| | | | | | | | | |
|---|---|-----------------------|---|---|--|---|----------------|------------------|
| DIMENSIONS ANSI Y14.5M UNITS: INCHES Pro/E FILE | TOLERANCES .XX ±0.01 .XXX ±0.005 ANGLES ±2.0° | PROJECTION | Amphenol Pcd SPECIFICATION DRAWING ENGR M. DIGIACOMO 3/2/2010 | | | TITLE RELAY SOCKET (3) SIZE 12, (2) SIZE 16 M12883/55 | | |
| | | | ORIGINAL | THIS DOCUMENT CONTAINS PROPRIETARY INFORMATION WHICH IS THE CONFIDENTIAL PROPERTY OF AMPHENOL PCD INC. BEVERLY, MA, USA | | CHKD 3/4/10 | APPD 3/4/10 | SIZE B |
| | | | CODE: 58982 | | | | SHEET 1 OF 1 | |