

A

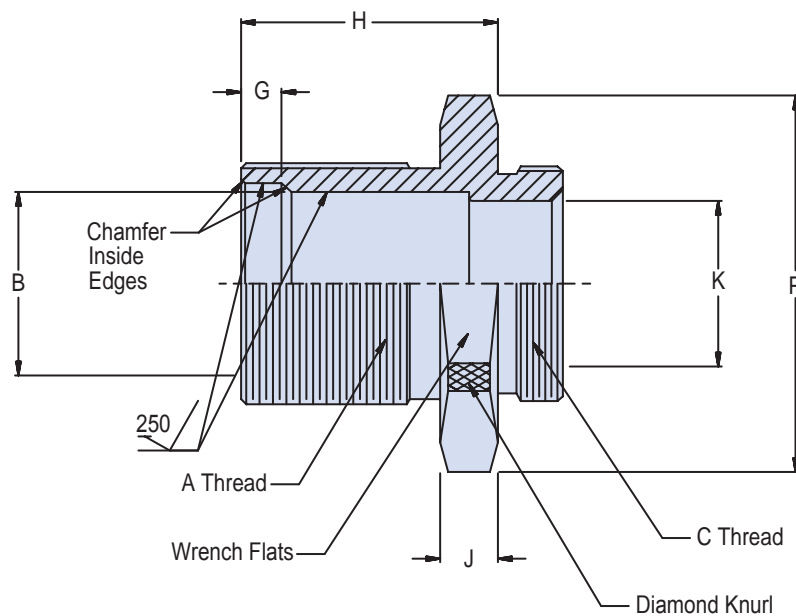
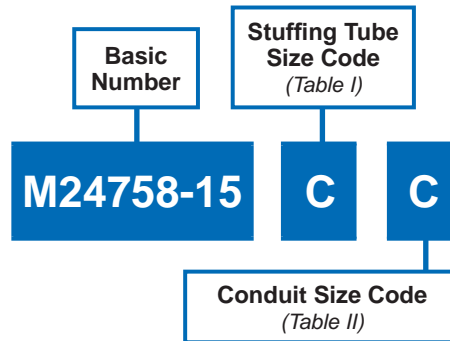


TABLE II

CONDUIT SIZE CODE	C CLASS - 2A THREAD	K DIA MIN
A	.438-28 UNEF	.245 (6.22)
B	.688-24 UNEF	.495 (12.57)
C	.938-20 UNEF	.745 (18.92)
D	1.250-18 UNEF	.995 (25.27)
E	1.563-18 UNEF	1.245 (31.62)
F	1.875-16 UN	1.495 (37.97)
G	2.375-16 UN	1.995 (50.67)
H	2.875-16 UN	2.495 (63.37)
J	.563-24 UNEF	.370 (9.40)
K	.813-20 UNEF	.620 (15.75)
L	3.375-16 UN	2.995 (76.07)

## APPLICATION NOTES

1. Assembly identified with manufacturer's code identification number (Glenair, part number and classification code 490).
2. The M24758-15 adapter couples MIL-S-24235/9 through MIL-S-24235/17 stuffing tubes to M24758-2, M24758-3 or M24758-4 series fittings.
3. Material / Finish:  
Adapter - 316 / electroless nickel, matte finish
4. Metric dimensions (mm) are indicated in parentheses.

# MIL-PRF-24758-15 Adapter for MIL-S-24235 Stuffing Tubes



MIL-PRF  
24758A

A

TABLE I

MIL-S-24235 /9, 17 STUFFING TUBE SIZE	CONDUIT SIZE CODE	A CLASS - 2A THREAD	B DIA	G DIM	H DIM ±.02 (.51)	J DIM ±.02 (.51)	P MAX DIA
A	A, B, J	.875-12 UN	.406 (10.31)	.250 (6.4)	1.063 (27.00)	.188 (4.78)	1.375 (34.93)
B	B	1.000-12 UN	.515 (13.08)	.250 (6.4)	1.063 (27.00)	.188 (4.78)	1.500 (38.10)
C	B, C, K	1.125-12 UN	.640 (16.26)	.250 (6.4)	1.063 (27.00)	.188 (4.78)	1.625 (41.28)
D	C, K	1.250-12 UN	.750 (19.05)	.250 (6.4)	1.063 (27.00)	.188 (4.78)	1.750 (44.45)
E	C, D, K	1.250-12 UN	.812 (20.62)	.250 (6.4)	1.063 (27.00)	.188 (4.78)	1.750 (44.45)
F	D	1.313-12 UN	.843 (21.41)	.250 (6.4)	1.188 (30.18)	.188 (4.78)	1.812 (46.02)
G	D	1.500-12 UN	.935 (23.75)	.250 (6.4)	1.188 (30.18)	.188 (4.78)	2.000 (50.80)
J	E	1.625-12 UN	1.062 (26.97)	.250 (6.4)	1.188 (30.18)	.188 (4.78)	2.125 (53.98)
K	E	1.750-12 UN	1.171 (29.74)	.250 (6.4)	1.500 (38.10)	.188 (4.78)	2.250 (57.15)
L	E	1.813-12 UN	1.265 (32.13)	.250 (6.4)	1.500 (38.10)	.188 (4.78)	2.312 (28.72)
M	E, F	2.000-12 UN	1.406 (35.71)	.250 (6.4)	1.500 (38.10)	.188 (4.78)	2.500 (63.50)
N	F	2.063-12 UN	1.515 (38.48)	.250 (6.4)	1.563 (39.70)	.250 (6.35)	2.625 (66.68)
P	G	2.188-12 UN	1.625 (41.28)	.250 (6.4)	1.563 (39.70)	.250 (6.35)	2.750 (69.85)
R	G	2.313-12 UN	1.750 (44.45)	.250 (6.4)	1.563 (39.70)	.250 (6.35)	2.875 (73.03)
S	G	2.688-12 UN	1.875 (47.63)	.375 (9.5)	2.188 (55.58)	.313 (7.95)	3.250 (82.55)
T	G	2.875-12 UN	2.062 (52.37)	.375 (9.5)	2.188 (55.58)	.313 (7.95)	3.500 (88.90)
V	G	3.000-12 UN	2.187 (55.55)	.375 (9.5)	2.188 (55.58)	.313 (7.95)	3.625 (92.08)
W	G, H	3.125-12 UN	2.312 (58.72)	.375 (9.5)	2.188 (55.58)	.313 (7.95)	3.750 (95.25)
X	H	3.250-12 UN	2.500 (63.50)	.375 (9.5)	2.188 (55.58)	.313 (7.95)	3.875 (98.43)
Y	H	3.375-12 UN	2.609 (66.27)	.375 (9.5)	2.188 (55.58)	.313 (7.95)	4.000 (101.60)
Z	H	3.563-12 UN	2.781 (70.64)	.375 (9.5)	2.188 (55.58)	.313 (7.95)	4.250 (107.95)
AA	H	3.750-12 UN	2.875 (73.03)	.375 (9.5)	3.125 (79.38)	.438 (11.13)	4.500 (114.30)
BB	H, L	4.000-12 UN	3.157 (80.19)	.375 (9.5)	3.125 (79.38)	.438 (11.13)	4.750 (120.65)