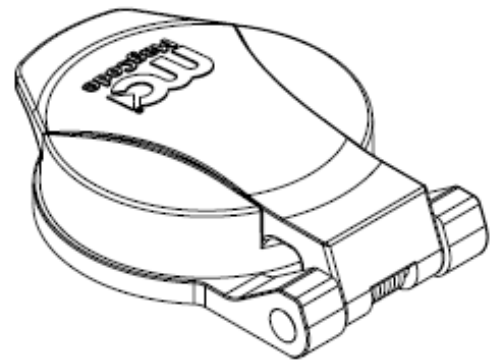
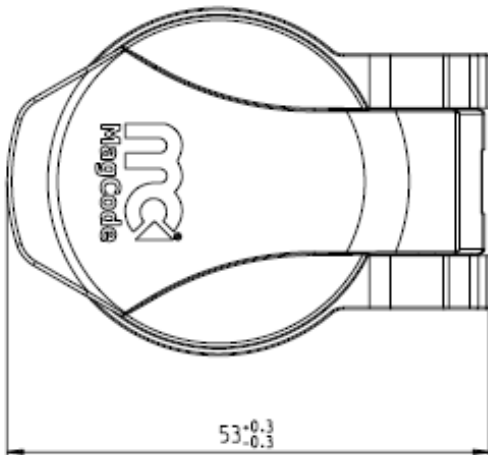
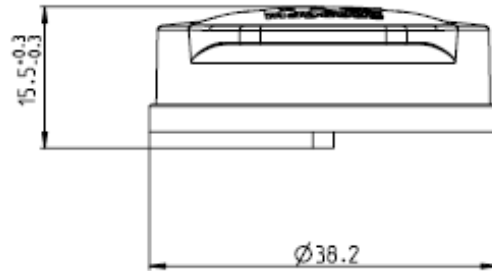


PowerSystem M2Z101-3XX



COVER POWERSYSTEM /
POWERSYSTEM PRO
PORT 12/24V



All dimensions are in mm; tolerances according to ISO 2768 m-H

Component

Spring-loaded cover for use with
 Magcode PowerSystem Port 12V M2S101-3xxx
 Magcode PowerSystem Port 24V M2S102-3xxx
 Magcode PowerSystem Port Pro12V M2S103-3xxx
 Magcode PowerSystem Port Pro24V M2S104-3xxx

Documents

Assembly instruction N/A

Material and plating

Parts	Material	Plating
Housing	PBT ASA GF20	none
Spring	1.4310	none

Electrical data

None N/A

PowerSystem

M2Z101-3XX



COVER POWERSYSTEM /
POWERSYSTEM PRO
PORT 12/24V

Mechanical data

Mating cycles N/A

Environmental data

Temperature range -45°C to +85°C
2002/95/EC (RoHS) compliant

Packing

Standard bulk
Weight ~ 10,6g

While the information has been carefully compiled to the best of our knowledge, nothing is intended as representation or warranty on our part and no statement herein shall be construed as recommendation to infringe existing patents. In the effort to improve our products, we reserve the right to make changes judged to be necessary.

Draft	Date	Approved	Date	Rev.	Engineering change number	Name	Date
Axel Botsch	30/07/09	Rainer Bippus	29/10/09	a00	09-0357	Rainer Bippus	19/06/09

Rosenberger Hochfrequenztechnik GmbH & Co. KG
P.O.Box 1260 D-84526 Tittmoning Germany
www.rosenberger.de

Tel.: +49 8684 18-0
Fax: +49 8684 18-499
email: info@rosenberger.de

Page
2 / 2