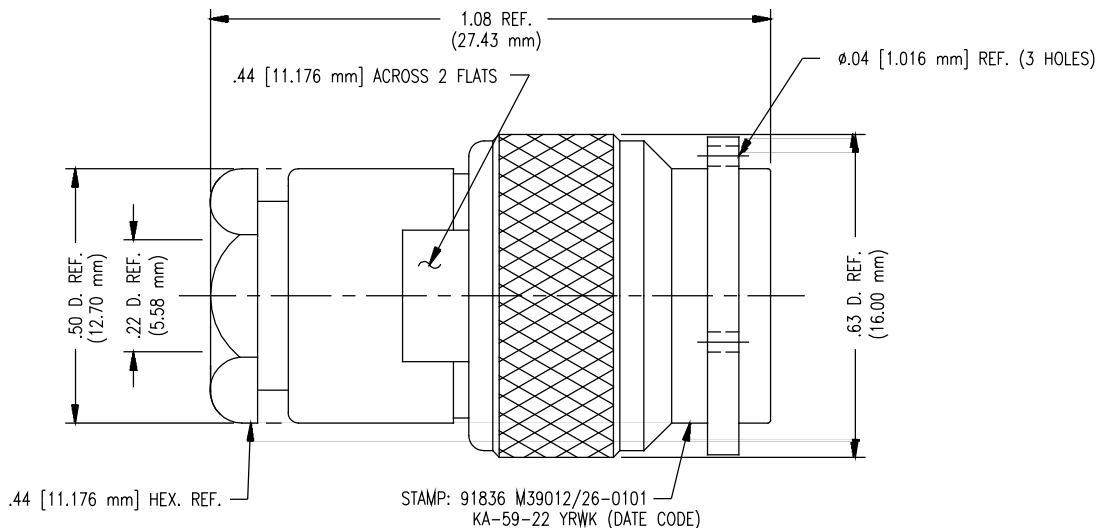


DASH NO.	M CODE	MADE FROM
----------	--------	-----------

GSD

M39012/26-0101



NOTES:

- FOR USE RG-58, 142, 223, & 400/U CABLE.
- FOR CABLING INSTRUCTIONS SEE 3-70.
- INTERFACE PER MIL-STD-348, FIG. 313-1.
- MATERIALS:  
 INSULATORS: PTFE, ASTM-D1710  
 GASKETS: SIL. RUB., A-A-59588  
 C-RING: PHOS. BRONZE, ASTM-B135  
 OUTER CONTACT: BER. COP., ASTM-B196  
 ALL OTHER PARTS: BRASS, ASTM-B16
- FINISHES:  
 CENTER CONTACT: HARD GOLD PLATE PER ASTM-B488  
 ALL OTHER METAL PARTS: SILVER PLATE PER ASTM-B700
- ELECTRICAL CHARACTERISTICS:  
 NOMINAL IMPEDANCE: 50 OHMS  
 VOLTAGE RATING: 500 VRMS  
 FREQUENCY RANGE: DC TO 11 GHz

REVISIONS

ISSUE	CHANGES
13	CN 32498 C KH 09/21/90
14	CN 38289 C REDRAWN TML 05/10/01
15	CN 38846 E BDH 05/09/03
16	CN 39708 C PMC 11/20/06
17	CN 39744 C HVN 01/02/07
V	ER063441 CY 08/17/16
W	ER065977 CY 02/08/17

KA-59-22 SD

THIS DRAWING, THE DESIGNS AND IDEAS EMBODIED IN THE DEVICE TO WHICH IT RELATES, AND THE METHOD OF PRODUCING THE DEVICE, ARE THE PROPERTY OF WINCHESTER ELECTRONICS CORPORATION AND SHALL NOT BE EMPLOYED, COPIED, OR DISCLOSED TO ANYONE, IN ANY MANNER WITHOUT THE CONSENT OF WINCHESTER ELECTRONICS CORPORATION.

SCALE 4:1

APPROX SURFACE AREA

KA-59-22

USED ON

REF:

PLUG, TNC

DRAWN JHP DATE 03/21/77

DESIGN DATE

APPR. SAJ DATE 04/14/71



Winchester Electronics Corporation  
 199 Park Road Ext Suite 104  
 Middlebury, Connecticut 06762

GSD

M39012/26-0101