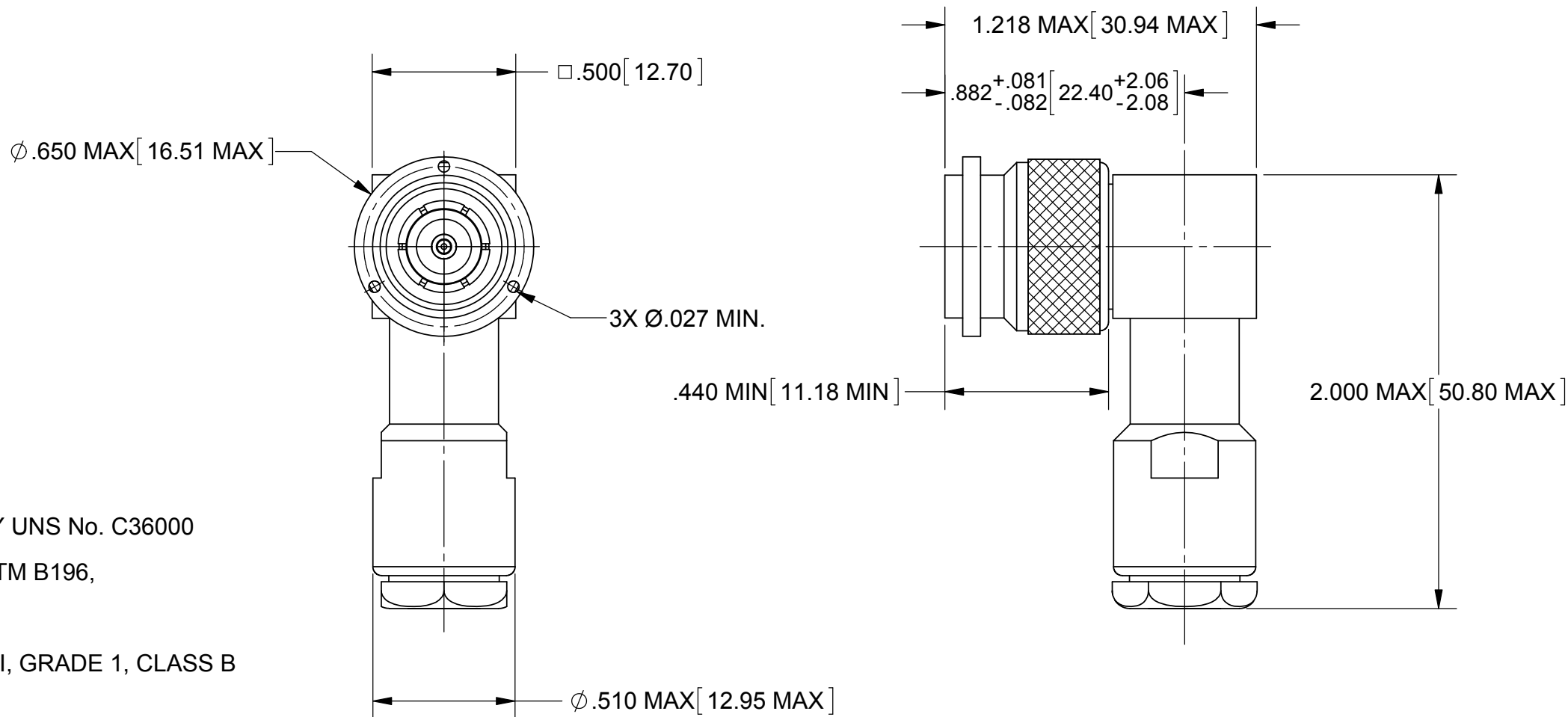


PRODUCT DATA DRAWING

REVISION HISTORY			
REV	DESCRIPTION	DATE	APPROVED
-	DCN 40099	10/13	STW



MATERIAL:

BODY,
FERRULE,
COUPLING NUT,
CRIMP RING &
CLAMP NUT:

BRASS PER ASTM B16, ALLOY UNS No. C36000

CONTACTS:

BERYLLIUM COPPER PER ASTM B196,
ALLOY No. UNS C17300, TD04

INSULATORS:

PTFE PER ASTM D1710, TYPE I, GRADE 1, CLASS B

**GASKETS &
O-RING:**

SILICONE RUBBER PER A-A-59588,
CLASS 2B, GRADE 50/60

LOCK RING:

PHOSPHOR BRONZE PER ASTM-B 159

FINISH:

BODY,
OUTER CONTACT,
COUPLING NUT,
FERRULE,
CRIMP RING &
CLAMP NUT:

SILVER PER ASTM B700, .00020" MIN.

**INNER
CONTACT:**

GOLD PER ASTM B488, TYPE II,
CODE C, CLASS 1.27, OVER NICKEL
PER AMS-QQ-N-290, CLASS 1, .00005" MIN.

PERFORMANCE:

IMPEDANCE:
FREQ. RANGE:
VSWR:

50 OHMS
DC TO 11.0 GHz
1.30:1 DC TO 11.0 GHz, OR 80% OF THE UPPER
CUT OFF FREQUENCY, WHICHEVER IS GREATER.

MATERIAL: SEE NOTES	DIMENSIONS ARE IN INCHES TOLERANCES: FRACTIONAL: ±1/64 ANGULAR: X° ±1'0" X'X' ±15'	UNLESS OTHERWISE SPECIFIED 1) ALL DIMENSIONS ARE IN INCHES (MILLIMETERS) 2) ALL DIMENSIONS ARE AFTER PLATING. 3) BREAK CORNERS & EDGES .005 R. MAX. 4) CHAM. 1ST & LAST THREADS. 5) SURFACE ROUGHNESS 63-MIL-STD-10. 6) DIA.'S ON COMMON CENTERS TO BE CONCENTRIC WITHIN .005 T.I.R. 7) REMOVE ALL BURRS	SV Microwave, Inc. 2400 Centrepark West Drive, Suite 100 West Palm Beach, FL 33409 TITLE: TNC R/A PLUG, CRIMP CLAMP FOR RG-58/U CABLE
FINISH: SEE NOTES	DECIMAL: .X ±.030 .XX ±.010 .XXX ±.005	INTERPRET DIMENSIONS AND TOLERANCES PER ASME Y14.5M - 1994	
SURFACE AREA: N/A	THIRD ANGLE PROJECTION	DRAWN: FSG 10/01/13	SIZE: B CAGE CODE: 95077 DWG. NO. M39012/30B0005
PROPRIETARY THE INFORMATION CONTAINED IN THIS DRAWING IS THE SOLE PROPERTY OF SV MICROWAVE, INC. ANY REPRODUCTION IN PART OR AS A WHOLE WITHOUT THE WRITTEN PERMISSION OF SV MICROWAVE, INC IS PROHIBITED.		CHECKED: STW 10/01/13	SCALE: 2:1
		APPROVED: STW 10/01/13	SHEET 1 OF 1