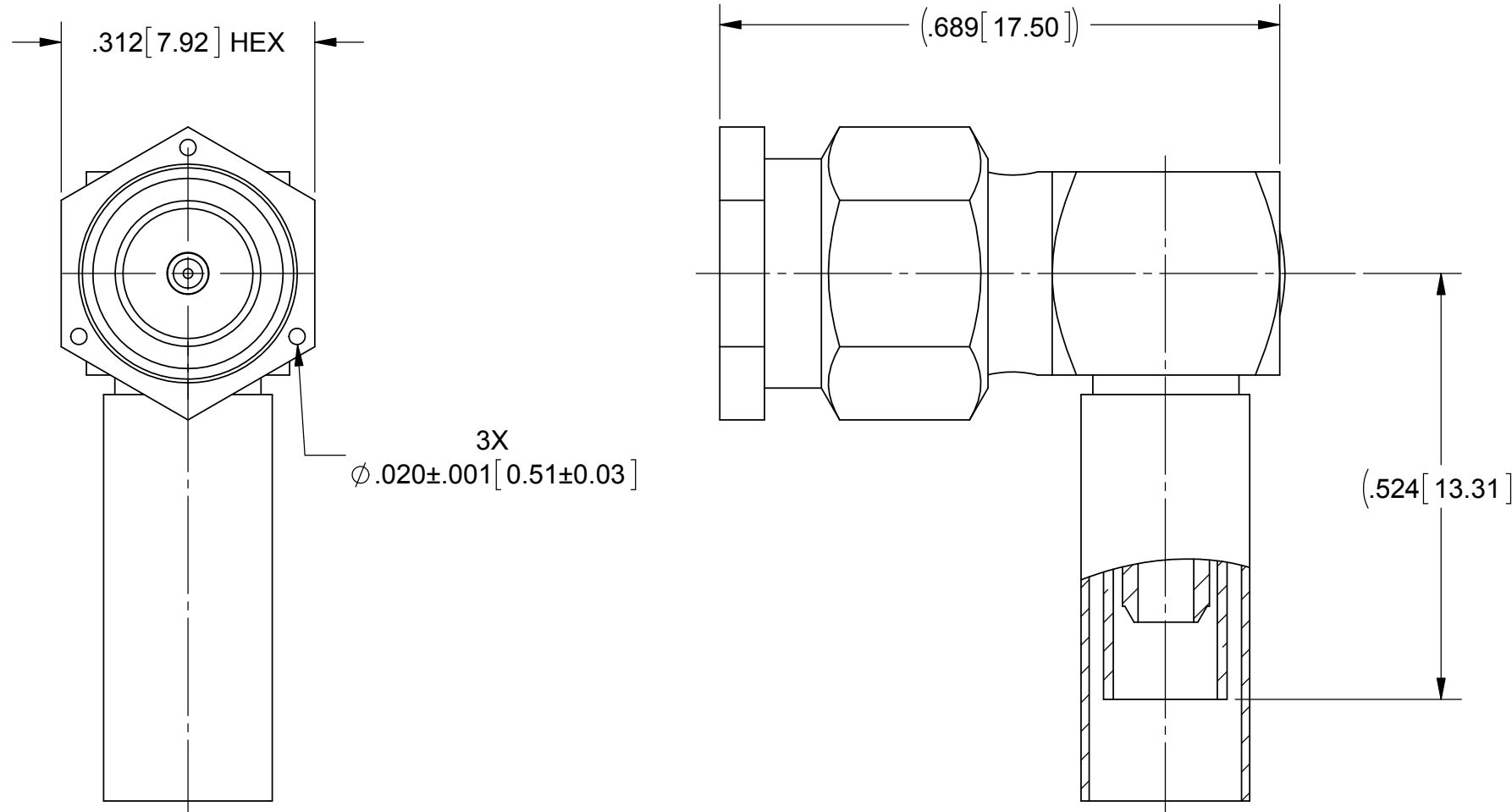
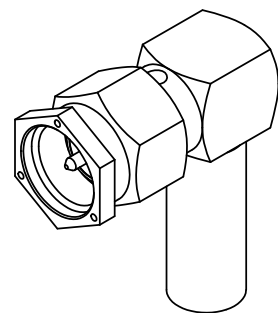


PRODUCT DATA DRAWING

REVISION HISTORY			
REV	DESCRIPTION	DATE	APPROVED
A	DCN 41768	10/15	BNK



MATERIAL:

BODY, FERRULE, & COUPLING NUT:

STAINLESS STEEL PER AMS-5640, ALLOY UNS S30300, TYPE 1

CONTACT & CRIMP RING:

BRASS PER ASTM B16, ALLOY UNS No. C36000

LOCK RING

BERYLLIUM COPPER PER ASTM B196, ALLOY No. UNS C17300, TD04

CAP:

STAINLESS STEEL PER ASTM A240, UNS S30400

INSULATOR:

PTFE PER ASTM D1710, TYPE I, GRADE 1, CLASS B

GASKET:

SILICONE RUBBER PER A-A-59588, CLASS 2B, GRADE 50/60

TUBING:

M23053/4

FINISH:

BODY, FERRULE, & CAP:

GOLD PER ASTM B488, TYPE I, CODE C CLASS 1.27, OVER NICKEL PER AMS-QQ-N-290, CLASS 1

CONTACT, & CRIMP RING:

GOLD PER ASTM B488, TYPE II, CODE C, CLASS 1.27, OVER NICKEL PER AMS-QQ-N-290, CLASS 1, .00005" MIN.

COUPLING NUT:

PASSIVATED PER AMS-2700

PERFORMANCE:

IMPEDANCE:
FREQ. RANGE:
VSWR:
INSERTION LOSS:

50 OHMS
DC TO 12.4 GHz
1.15 + .03(F):1 DC TO 12.4 GHz
.15 X SQRT(F(F IN GHz))

MATERIAL: SEE NOTES	DIMENSIONS ARE IN INCHES TOLERANCES: FRACTIONAL: $\pm 1/64$ ANGULAR: X° $\pm 1'0''$ X'X' $\pm 15''$	UNLESS OTHERWISE SPECIFIED 1) ALL DIMENSIONS ARE IN INCHES (MILLIMETERS) 2) ALL DIMENSIONS ARE AFTER PLATING. 3) BREAK CORNERS & EDGES .005 R. MAX. 4) CHAM. 1ST & LAST THREADS. 5) SURFACE ROUGHNESS 63-MIL-STD-10. 6) DIA.'S ON COMMON CENTERS TO BE CONCENTRIC WITHIN .005 T.I.R. 7) REMOVE ALL BURRS	 2400 Centrepark West Drive, Suite 100 West Palm Beach, FL 33409 TITLE: SMA PLUG R/A SOLDER FOR RG-316 CABLE
FINISH: SEE NOTES	DECIMAL: X $\pm .030$.XX $\pm .010$.XXX $\pm .005$	INTERPRET DIMENSIONS AND TOLERANCES PER ASME Y14.5M - 1994	
SURFACE AREA: N/A	THIRD ANGLE PROJECTION	DRAWN: DAL 10/13/15	SIZE: B CAGE CODE: 95077 DWG. NO.: M39012/56-3007
PROPRIETARY THE INFORMATION CONTAINED IN THIS DRAWING IS THE SOLE PROPERTY OF SV MICROWAVE, INC. ANY REPRODUCTION IN PART OR AS A WHOLE WITHOUT THE WRITTEN PERMISSION OF SV MICROWAVE, INC IS PROHIBITED.		CHECKED: BNK 10/13/15	SCALE: 5:1
		APPROVED: GD 03/01/86	SHEET 1 OF 1