

PRODUCT DATA DRAWING

| REVISION HISTORY | | | |
|------------------|-------------|-------|----------|
| REV | DESCRIPTION | DATE | APPROVED |
| - | DCN 38106 | 03/11 | PJS |
| | | | |

MATERIAL:

BODY,
PRESS CAP &
COUPLING NUT:

STAINLESS STEEL PER AMS-5640,
ALLOY UNS S30300, TYPE 1

LOCK RING &
CONTACT:

BERYLLIUM COPPER PER ASTM B196,
ALLOY No. UNS C17300, TD04

CRIMP RING:

COPPER PER ASTM B103
ALLOY UNS C18700. H04.

INSULATOR:

PTFE PER ASTM D1710, TYPE I, GRADE 1, CLASS B

GASKET:

SILICONE RUBBER PER A-A-59588,
CLASS 2B, GRADE 50/60

SHRINK TUBING:

SCL POLYOLEFIN PER MIL-I-23053/4, CLASS I

FINISH:

BODY, PRESS CAP &
COUPLING NUT:

PASSIVATED PER AMS-2700

CONTACT:

GOLD PER ASTM B488, TYPE II,
CODE C, CLASS 1.27; OVER NICKEL
PER AMS-QQ-N-290, CLASS 1, .00005" MIN.

CRIMP RING:

NICKEL PER QQ-N-290, CLASS 2, .00005" MIN.

PERFORMANCE:

IMPEDANCE:

50 OHMS

FREQ. RANGE:

DC TO 12.4 GHz

VSWR:

1.15 + .03 F (F IN GHz)

INSERTION LOSS:

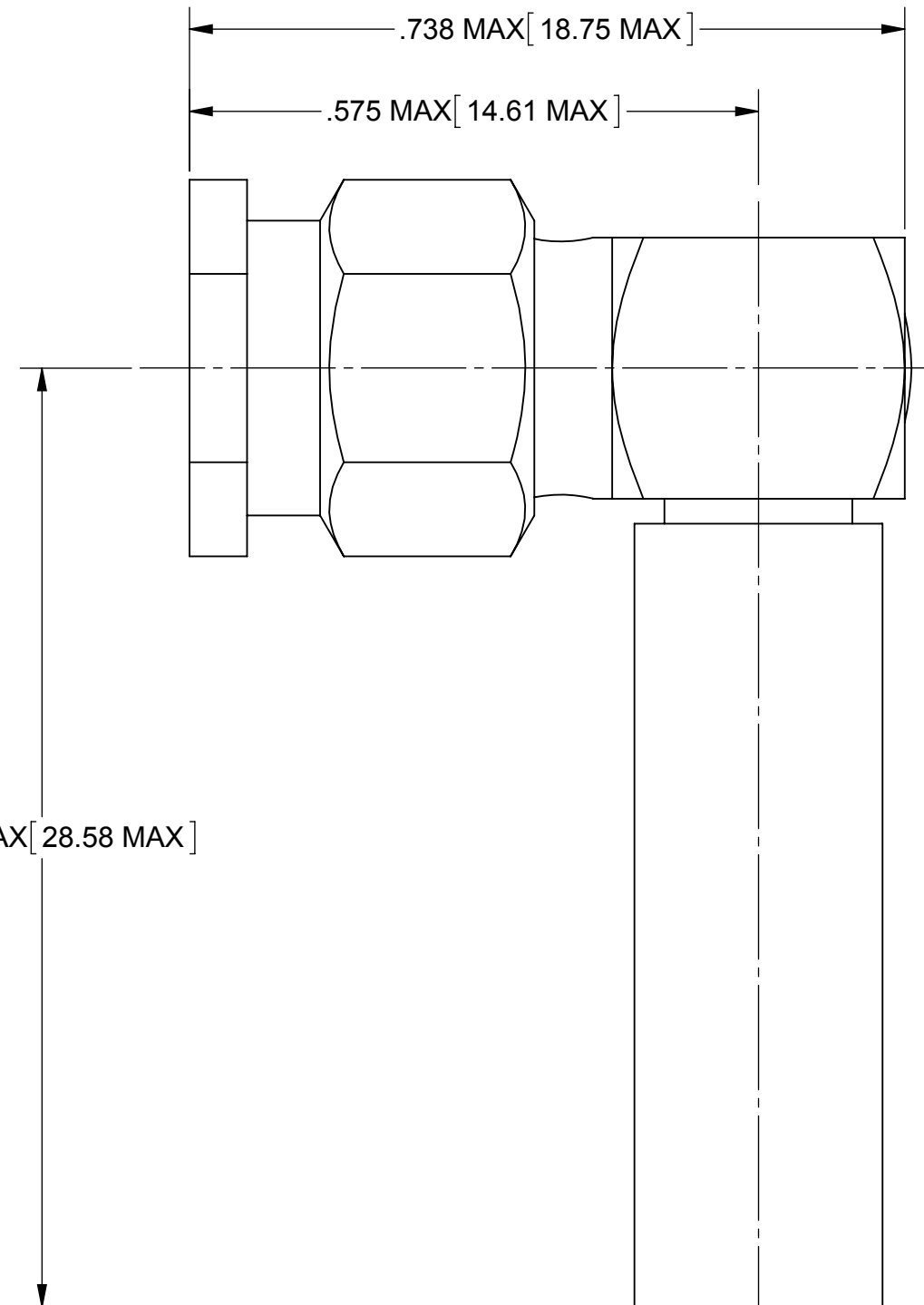
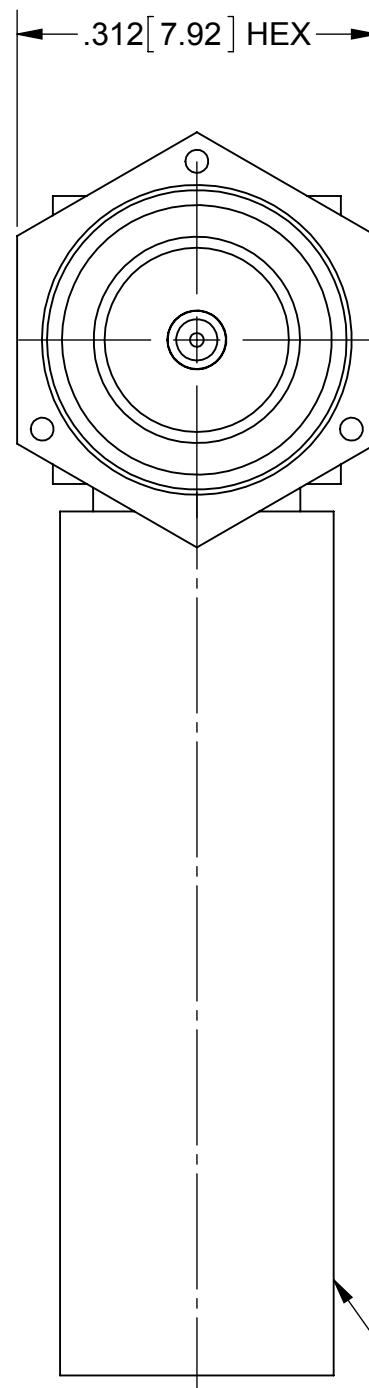
.15 X SQRT(F(F IN GHz))

DWV:

1000 VRMS

OPERATING TEMP.:

-65 °C TO +165 °C



SHRINK TUBING

| | | | |
|--|--|---|---|
| MATERIAL: SEE NOTES | DIMENSIONS ARE IN INCHES TOLERANCES: FRACTIONAL: ±1/64 ANGULAR: X° ±1'0" X°X' ±15' | UNLESS OTHERWISE SPECIFIED 1) ALL DIMENSIONS ARE IN INCHES (MILLIMETERS) 2) ALL DIMENSIONS ARE AFTER PLATING. 3) BREAK CORNERS & EDGES .005 R. MAX. 4) CHAM. 1ST & LAST THREADS. 5) SURFACE ROUGHNESS 63-MIL-STD-10. 6) DIA.'S ON COMMON CENTERS TO BE CONCENTRIC WITHIN .005 T.I.R. 7) REMOVE ALL BURRS | SV Microwave, Inc. 2400 Centrepark West Drive, Suite 100 West Palm Beach, FL 33409 |
| FINISH: SEE NOTES | DECIMAL: X ±.030 .XX ±.010 .XXX ±.005 | INTERPRET DIMENSIONS AND TOLERANCES PER ASME Y14.5M - 1994 | TITLE: SMA PLUG R/A SOLDER FOR M17/152-00001 CABLE |
| SURFACE AREA: N/A | THIRD ANGLE PROJECTION | DRAWN: PJS 03/28/11 CHECKED: PJS 03/28/11 APPROVED: PJS 03/28/11 | SIZE CAGE CODE DWG. NO. B 95077 M39012/56-3030 |
| PROPRIETARY THE INFORMATION CONTAINED IN THIS DRAWING IS THE SOLE PROPERTY OF SV MICROWAVE, INC. ANY REPRODUCTION IN PART OR AS A WHOLE WITHOUT THE WRITTEN PERMISSION OF SV MICROWAVE, INC IS PROHIBITED. | | | SCALE: 6:1 SHEET 1 OF 1 |