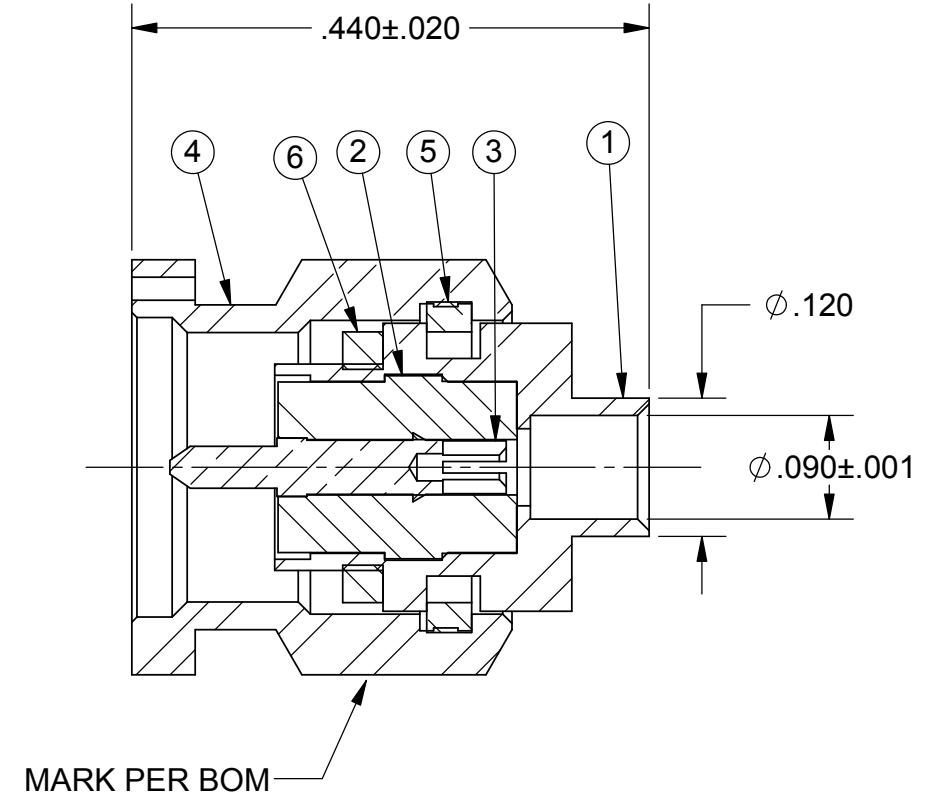
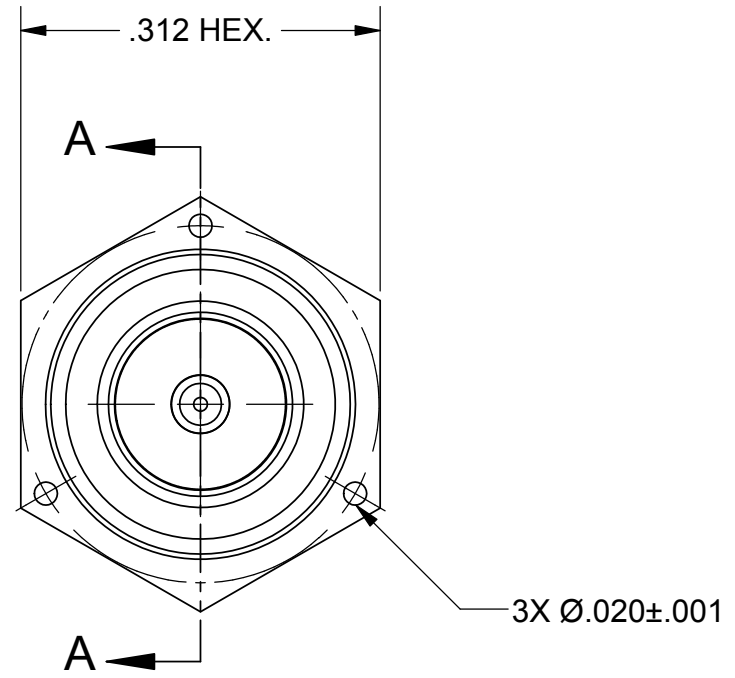


REVISION HISTORY			
REV	DESCRIPTION	DATE	APPROVED
A	DCN 40178	11/13	STW
B	DCN 42325	05/16	STW



SECTION A-A
SCALE 6 : 1

NOTES:
1. MATING END DIMENSIONS PER MD-107.

MATERIAL: PER BOM	DIMENSIONS ARE IN INCHES TOLERANCES:	UNLESS OTHERWISE SPECIFIED	SV Microwave, Inc. 2400 Centrepark West Drive, Suite 100 West Palm Beach, FL 33409 TITLE: SMA PLUG SOLDER ON FOR Ø.085 SEMI RIGID CABLE
FINISH: PER BOM	FRACTIONAL: ±1/64 ANGULAR: X° ±1°0' X'X' ±15' DECIMAL: X ±.030 .XX ±.010 .XXX ±.005	1) ALL DIMENSIONS ARE AFTER PLATING. 2) BREAK CORNERS & EDGES .005 R. MAX. 3) CHAM. 1ST & LAST THREADS. 4) SURFACE ROUGHNESS 63 √ MIL-STD-10. 5) DIA.'S ON COMMON CENTERS TO BE CONCENTRIC WITHIN .005 T.I.R. 6) REMOVE ALL BURRS	
PROPRIETARY THE INFORMATION CONTAINED IN THIS DRAWING IS THE SOLE PROPERTY OF SV MICROWAVE, INC. ANY REPRODUCTION IN PART OR AS A WHOLE WITHOUT THE WRITTEN PERMISSION OF SV MICROWAVE, INC IS PROHIBITED.	INTERPRET DIMENSIONS AND TOLERANCES PER ASME Y14.5M - 1994 THIRD ANGLE PROJECTION	DRAWN: MEB 07/28/03 CHECKED: STW 07/28/03 APPROVED: STW 07/28/03 E.M. SIMULATION: N/A	SIZE B CAGE CODE 95077 DWG. NO. M39012/79-3011 SCALE: 4:1 SHEET 1 OF 2