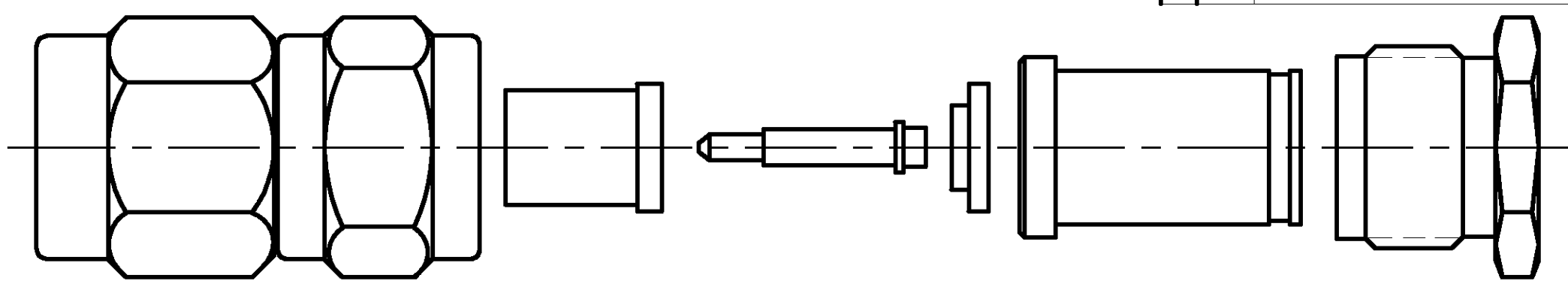


THIS DRAWING IS UNPUBLISHED. RELEASED FOR PUBLICATION N/A, N/A  
 © COPYRIGHT N/A BY TYCO ELECTRONICS CORPORATION. ALL RIGHTS RESERVED.

LOC	DIST	REVISIONS			
P	LTR	DESCRIPTION	DATE	DWN	APVD
DF	XO	REV PER 0G3D-0489-02	11-02	JMK	JL

COMPONENT	MATERIAL	FINISH
HOUSING CLAMP NUT COUPLING NUT	STAINLESS STEEL PER ASTM-A-484 OR ASTM-A-582 TYPE 303	PASSIVATED PER ASTM-A-380
DIELECTRIC	PTFE FLUORCARBON PER ASTM-D-1457	-
CENTER CONTACT INNER SLEEVE	BRASS PER ASTM-B-16 HALF HARD	GOLD PLATED PER ASTM-B-488
-	-	-
GASKET	SILICONE RUBBER PER ZZ-R-765	-
-	-	-
RETAINING RING	BERYLLIUM COPPER PER ASTM-B-194 ALLOY C17200, CONDITION H	-
-	-	-
-	-	-

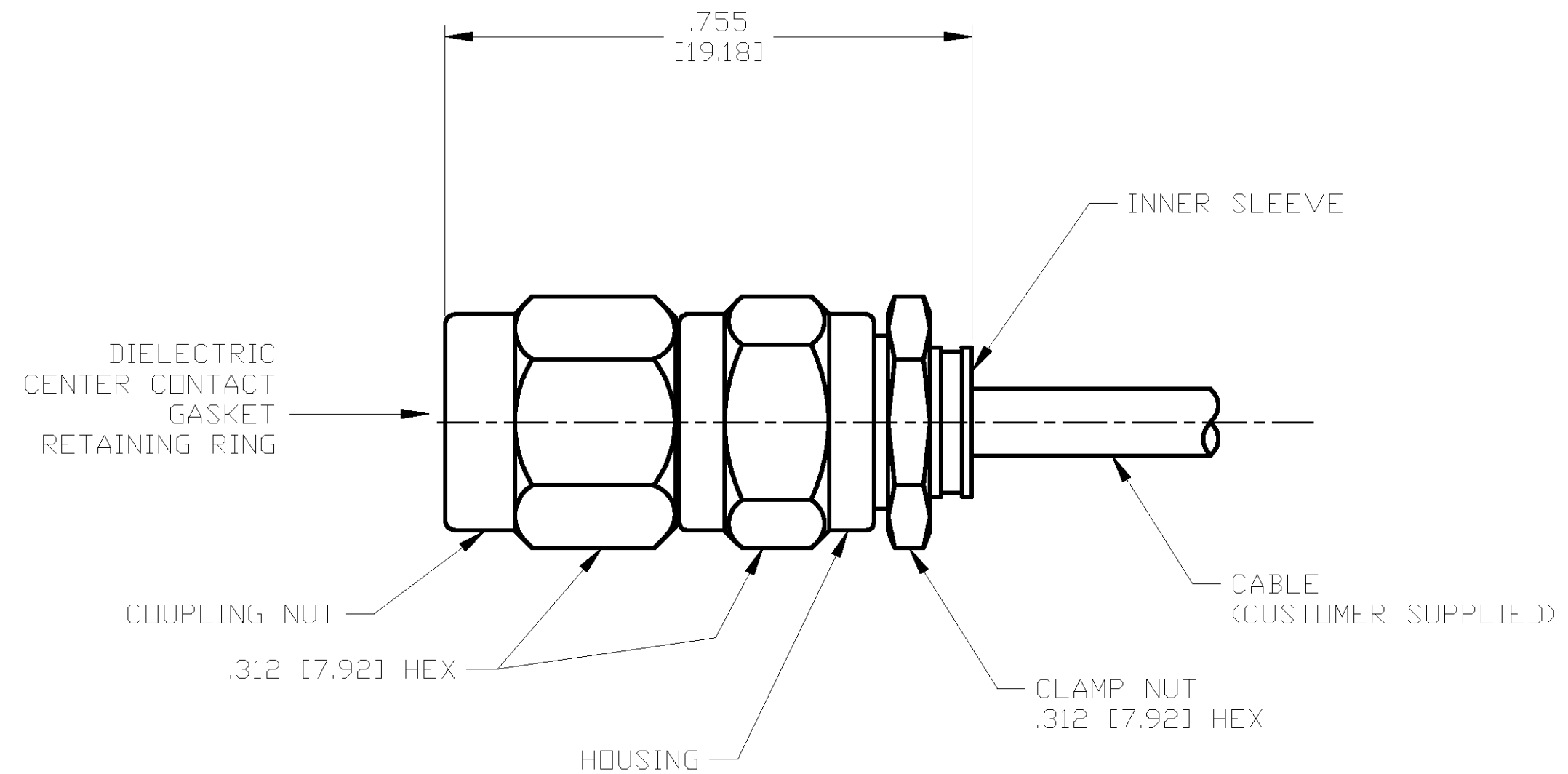


AS SHIPPED TO CUSTOMER

ENVIRONMENTAL	
TEMPERATURE RATING:	-65°C TO +165°C
VIBRATION:	MIL-STD-202, METHOD 204, CONDITION D
SHOCK:	MIL-STD-202, METHOD 213, CONDITION 1
MOISTURE RESISTANCE:	MIL-STD-202, METHOD 106
CORROSION:	MIL-STD-202, METHOD 101, CONDITION B. 5% SALT SPRAY
THERMAL SHOCK:	MIL-STD-202, METHOD 107, CONDITION B EXCEPT HIGH TEMP 115°C

MECHANICAL	
INTERFACE DIMENSIONS:	MIL-STD-348A FIG. 310.1
RECOMMENDED MATING TORQUE:	7-10 IN-LBS
FORCE TO ENGAGE & DISENGAGE (IN-LBS MAX):	2.0
WEIGHT (GRAMS):	TBD
MATING CHARACTERISTICS:	INSERTION (MAX LBS): N/A WITHDRAWAL (MIN OZ): N/A
CABLE RETENTION:	AXIAL FORCE (LBS): 30 MIN TORQUE (IN-OZ): 16.0
CENTER CONTACT CAPTIVATION:	AXIAL (LBS): 6.0 RADIAL (IN-OZ): N/A

ELECTRICAL	
NORMAL IMPEDANCE (OHMS):	50
FREQUENCY RANGE (GHz):	DC TO 18
VOLT RATING @ SEA LEVEL (VRMS MAX):	335
VSWR:	1.07+0.01f(GHz)
INSERTION LOSS: (dB MAX):	.03 √f(GHz)
RF LEAKAGE (dB MIN):	-90 @ 2-3 GHz
CORONA 70,000 FT (VRMS MIN):	250
DIELECTRIC WITHSTANDING VOLTAGE (VRMS MIN) AT SEA LEVEL:	1000
I.R. (MEGOHMS MIN):	5,000
RF HIGH POTENTIAL AT SEA LEVEL (VRMS MIN @ 5 MHz):	670
CONTACT RESISTANCE (MILLIOHMS MAX):	CENTER CONTACT: 3.0 OUTER CONTACT: 2.0 CABLE TO HOUSING: 0.5



ASSEMBLED VIEW

DESIGNED TO USE RG-405/U OR EQUIVALENT CABLE ENTRY DIAMETER MIN	HOUSING: N/A
CONTACT: .021 [0.53]	CLAMP NUT: N/A
SLEEVE: .087 [2.21]	-

THIS DRAWING IS A CONTROLLED DOCUMENT.	
DIMENSIONS: INCHES [mm]	TOLERANCES UNLESS OTHERWISE SPECIFIED:
0 PLC ± -	1 PLC ± -
2 PLC ± -	3 PLC ± .005 [0.13]
4 PLC ± -	ANGLES ± -
MATERIAL SEE TABLE	FINISH SEE TABLE

DWN J. KAISER 9/26/02	Tyco Electronics Corporation Harrisburg, PA 17105	11-20-02	11-20-02	11-20-02
CHK J. LIPPERT		NAME	PRODUCT SPEC	APPLICATION SPEC
APVD J. LIPPERT		408-4918	408-4918	TBD
CUSTOMER DRAWING		SCALE 5:1	SHEET 1 OF 1	REV 0

1050789-1  
PART NO.