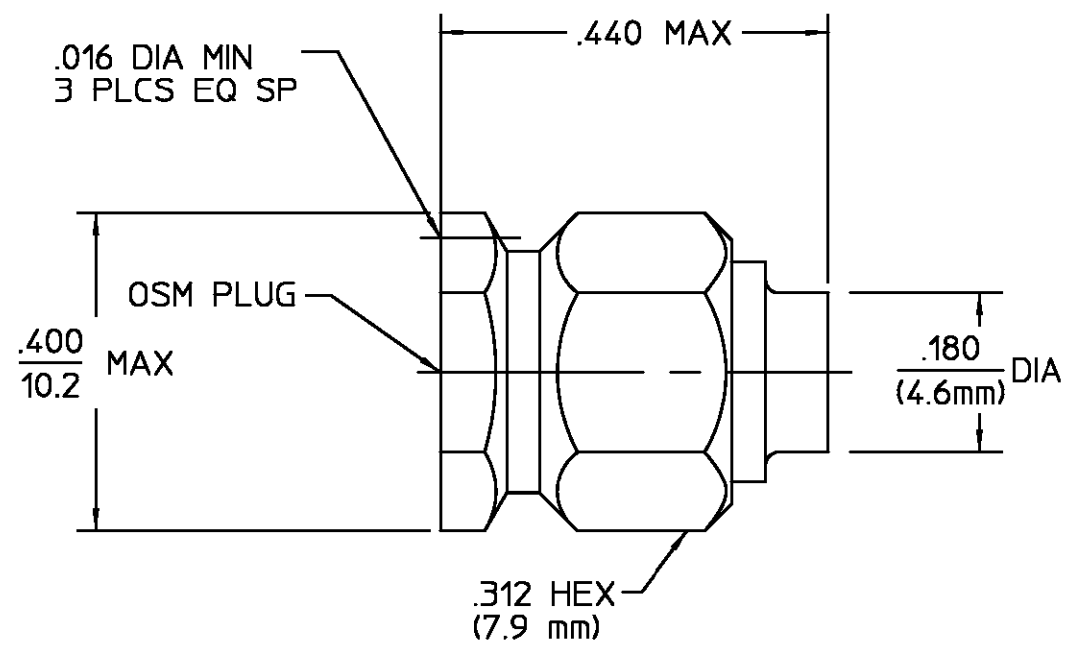


DESIGNED FOR USE WITH .141 DIA S.R. CABLE	
CABLE ENTRY DIAMETER MINIMUM	
CONTACT	.039
HOUSING	.144

REVISIONS			
REV	DESCRIPTION	DATE	APPROVED
01 ₁	REDRAWN ON CAD ECN 94-0474	2/10/95	<i>RAC</i> 12/10/95



COMPONENT	MATERIAL	FINISH
HOUSING	STAINLESS STEEL PER ASTM-A484 AND ASTM-A582, TYPE 303	GOLD PLATE PER MIL-G-45204
COUPLING NUT	STAINLESS STEEL PER ASTM-A484 AND ASTM-A582, TYPE 303	PASSIVATE PER ASTM-A-380
DIELECTRIC	TFE FLUOROCARBON PER ASTM-D-1457	N/A
CENTER CONTACT	BERYLLIUM COPPER PER ASTM B 196, ALLOY C17300, CONDITION H	GOLD PLATE PER MIL-G-45204
RETAINING RING	BERYLLIUM COPPER PER ASTM B 194, ALLOY C17200, CONDITION H	N/A
GASKET	SILICONE RUBBER PER ZZ-R-765	N/A

ELECTRICAL	MECHANICAL	ENVIRONMENTAL
Nominal Impedance (Ohms) <u>50</u>	Interface Dimensions MIL-STD-348, Fig. <u>310.1</u>	Temperature Rating <u>-65°C to 105°C</u>
Frequency Range (GHz) DC to <u>18.0</u>	Recommended Mating Torque <u>7 to 10 in-LBs</u>	Vibration MIL-STD-202, Method 204, Condition D
Volt Rating (VRMS MAX) @ Sea Level <u>500</u>	Mating Characteristics: Insertion (MAX Lbs) <u>N/A</u>	Shock MIL-STD-202, Method 213, Condition I
VSWR <u>1.05 + .008f(GHz)</u>	Withdrawal (MIN Oz) <u>N/A</u>	Thermal Shock MIL-STD-202, Method 107, Condition B, Except High Temp <u>115°C</u>
Insertion Loss (dB MAX) <u>.03 √f(GHz)</u>	Force to Engage and Disengage (In/Lbs MAX) <u>2.0</u>	Moisture Resistance MIL-STD-202, Method 106,
RF Leakage (dB MIN) <u>-(90-f(GHz))</u>	Center Contact Captivation Axial (Lbs) <u>N/A</u>	Corrosion - MIL-STD-202, Method 101, Condition B, 5% salt spray
Corona, 70,000 Ft (VRMS MIN) <u>375</u>	Radial (In/Oz) <u>N/A</u>	
Dielectric Withstanding Voltage (VRMS MIN) @ Sea Level <u>1000</u>	Cable Retention Axial Force (Lbs) <u>60</u>	
Contact Resistance (Milliohms MAX) Center Contact <u>3.0</u>	Torque (In/Oz) <u>55</u>	
Outer Contact <u>2.0</u>	Weight (Grams) <u>T.B.D.</u>	
Cable to Housing <u>0.5</u>		
RF High Potential @ Sea Level (VRMS MIN @ 5 MHz) <u>1000</u>		
I.R.(Megohms MIN) <u>5,000</u>		

UNLESS OTHERWISE SPECIFIED DIMENSIONS ARE IN INCHES TOLERANCE ON	DRAWN BY <u>TN</u> DATE <u>7/22/82</u>		AMP Incorporated 140 Fourth Avenue Waltham, MA 02451-7599	
FRAC. DEC. ANGLES ± 1/64 ±.005 ± °	CHECKED BY <u>G.S.</u> DATE <u>7/20/82</u>		TITLE <u>OSM STRAIGHT CABLE PLUG DIRECT SOLDER ATTACHMENT M39012B3002 CAT B</u>	
These drawings and specifications are the property of Omni Spectra Incorporated and shall not be reproduced or copied or used in whole or in part as the basis for the manufacture or sale of items without written permission.	APPD BY <u>RMF</u> DATE <u>7/23/82</u>		NO. AP. <u>408-04919 (20-544)</u>	SIZE <u>B</u> CODE IDENT NO. <u>26805</u>
	USE ASS'Y PROCEDURE	SCALE <u>5:1</u>	SHEET 1 OF 1	