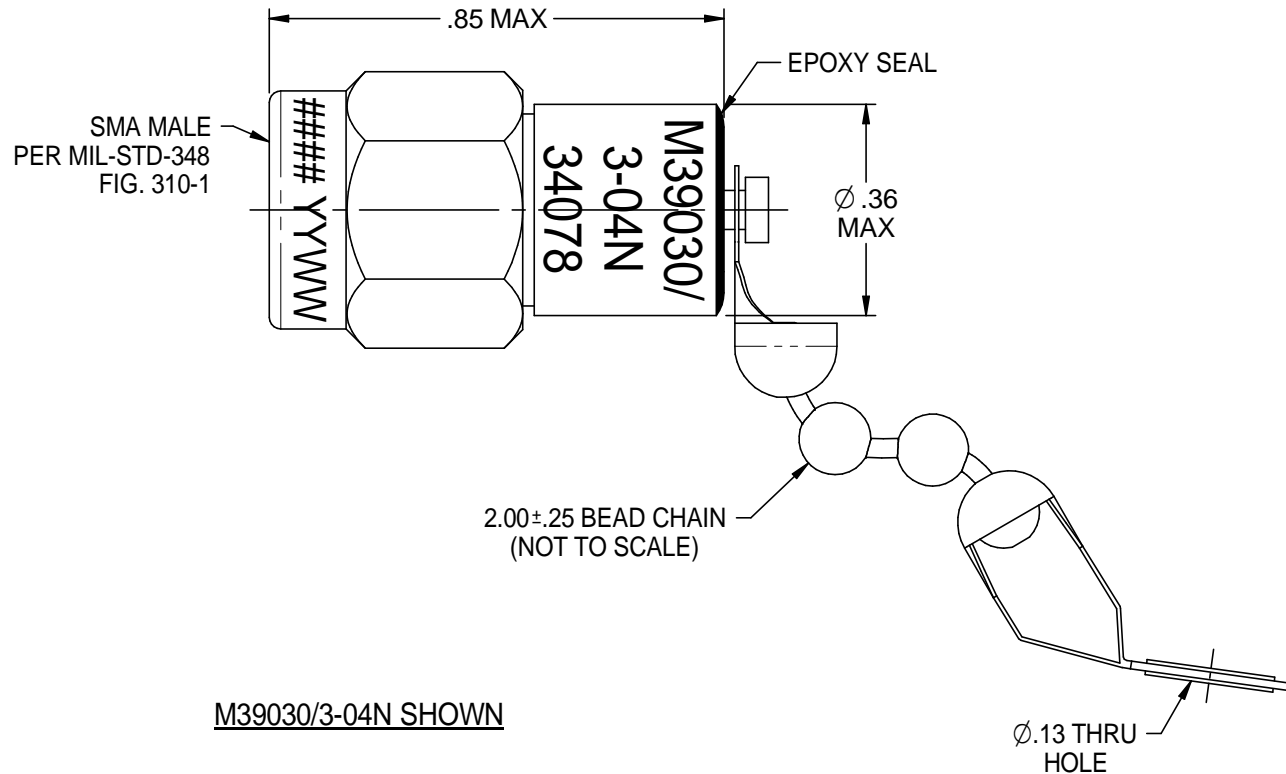
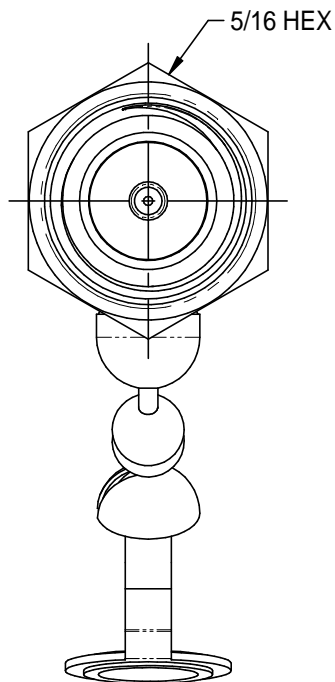
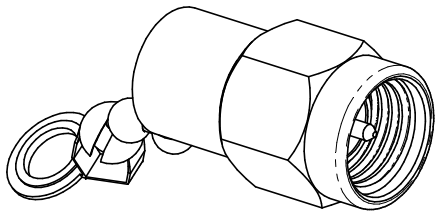


REV	ECO	DATE
D	15246	5/22/1996
D1	ADD TB	7/7/2005
E	25327	5/6/2015



M39030/3-04N SHOWN

NOTES: UNLESS OTHERWISE SPECIFIED.

1. MATERIAL & FINISH:

- 1.1 BODY: PASSIVATED STAINLESS STEEL
- 1.2 DIELECTRIC: PTFE (TEFLON)
- 1.3 CENTER CONTACT: GOLD PLATED BERYLLIUM COPPER
- 1.4 GASKET: SILICONE RUBBER
- 1.5 BEAD CHAIN: STAINLESS STEEL

2. SPECIFICATIONS:

- 2.1 FREQUENCY RANGE: DC - 18 GHz
- 2.2 IMPEDANCE: 50 OHMS
- 2.3 VSWR (MAX): 1.05+0.01f (GHz)
- 2.4 POWER HANDLING CAPABILITY:
  - 2.4.1 AVERAGE: 0.5 WATTS MAX AT 25°C DERATED LINEARLY TO 0.125 WATTS AT 125°C
  - 2.4.2 PEAK: 50 WATTS WITH A 1% DUTY CYCLE
- 2.5 OPERATING TEMPERATURE RANGE: -55°C TO 125°C
- 2.6 WEIGHT (MAX): .25 oz

<p>This PROPRIETARY Document is property of Cinch Connectivity Solutions. It is confidential in nature, non-transferable, and issued with the clear understanding that it is not to be traced or copied without permission and is returnable upon demand.</p> <p>INTERPRET DRAWING IN ACCORDANCE WITH ASME Y14.5-2009.</p>	Model No. M39030/3-04(N OR S)	<b>MIDWEST MICROWAVE</b>		
	RoHS2 <input checked="" type="checkbox"/> 2011/65/EU	Cage Code 34078	Title: QPL TERMINATION	
	UNLESS OTHERWISE SPECIFIED UNITS: INCH	3RD ANGLE PROJECTION C. WALLACE	Drawing No. M39030/3-04(N OR S)-01	Rev. E
	ANGLES ±2°	Date: 5/7/2015	Size A	DO NOT SCALE DRAWING Workmanship Std: NONE