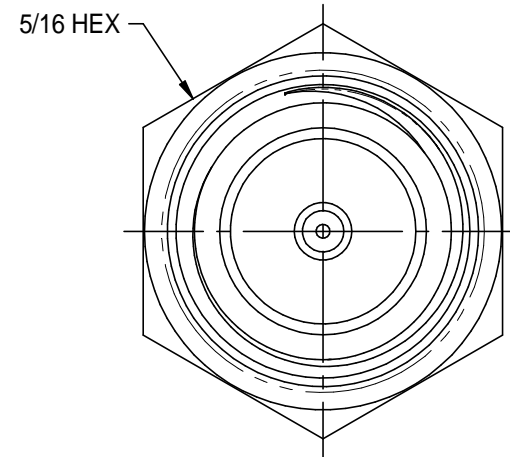


SMA MALE CONN.
PER MIL-STD-348
FIGURE 310-1



NOTES: UNLESS OTHERWISE SPECIFIED.

1. SPECIFICATIONS:

- 1.1 FREQUENCY RANGE: DC - 18.0 GHz
- 1.2 VSWR (MAX): 1.15:1
- 1.3 INPUT POWER: 1 WATT AVGERAGE, 100 WATTS PEAK
- 1.4 IMPEDANCE: 50 OHMS
- 1.5 WEIGHT: .25 OZ MAX.

2. MATERIALS AND FINISH:

HOUSING & COUPLING NUT: GOLD PLATED STAINLESS STEEL
CENTER CONTACT: GOLD PLATED BERYLLIUM COPPER
DIELECTRIC: PTFE (TEFLON)

<p>This PROPRIETARY Document is property of Emerson Network Power Connectivity Solutions. It is confidential in nature, non-transferable, and issued with the clear understanding that it is not tracked or copied without permission and is retrievable upon demand.</p> <p>INTERPRET DRAWING IN ACCORDANCE WITH ASME Y14.5-2009.</p>		<h2>Midwest Microwave</h2>	
	<p>RoHS <input checked="" type="checkbox"/></p> <p>2002/95/EC</p>	<p>Title: TERMINATION</p>	
<p>UNLESS OTHERWISE SPECIFIED</p> <p>UNITS: INCH</p> <p>.XX ±.02</p> <p>.XXX ±.005</p> <p>ANGLES ±2°</p>		<p>Model No. M39030/3-11(N OR S)</p>	
<p>Size A</p>	<p>DO NOT SCALE DRAWING</p>	<p>Date: 5/22/2013</p>	<p>Sheet 1 of 1</p>