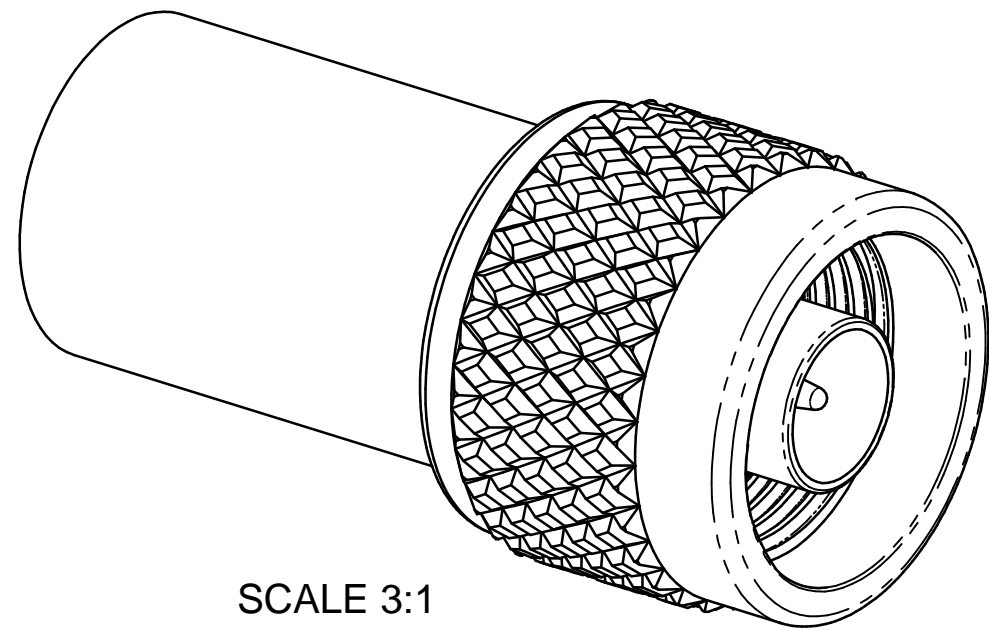
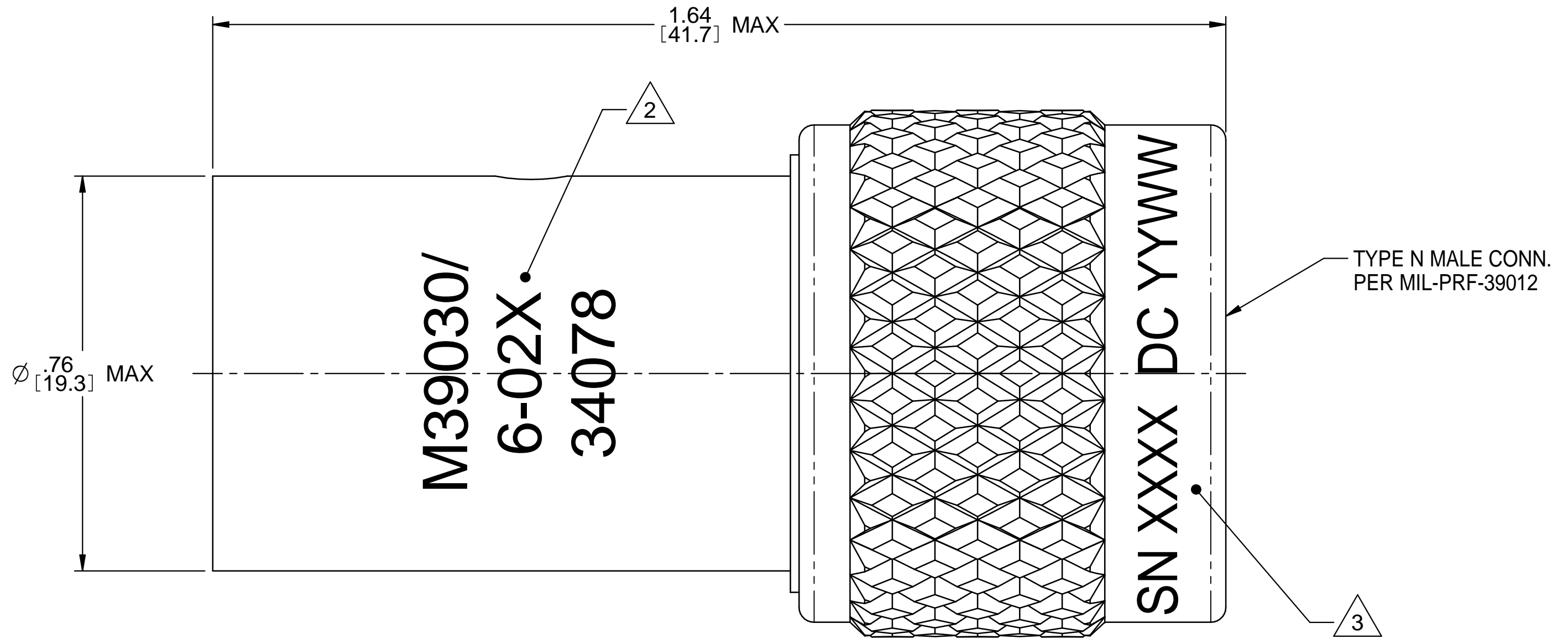


| ZONE | REV | ECO   | DESCRIPTION    | APPR. | DATE     |
|------|-----|-------|----------------|-------|----------|
|      | A   | 15080 |                |       | 2/14/96  |
|      | A1  |       | ADD TITLEBLOCK |       | 7/7/05   |
|      | D   | 24435 |                | PAK   | 10/18/12 |



SCALE 3:1



NOTES: UNLESS OTHERWISE SPECIFIED.

1. SPECIFICATIONS:
  - 1.1 FREQUENCY RANGE: DC TO 12.4 GHz
  - 1.2 VSWR: 1.35:1 MAX
  - 1.3 POWER HANDLING: 1 WATTS AVG., 1.0 KILOWATT PEAK. DERATED LINEARLY FROM 100% AT 25C TO 10% AT SPECIFIED MAXIMUM AMBIENT OPERATING TEMPERATURE.
  - 1.4 OPERATING TEMP. RANGE: -55°C TO +125°C
  - 1.5 MAXIMUM WEIGHT: 3 OZ (85 GRAMS)

2. MARK UNIT AS SHOWN.

3. MARK COUPLING NUT AS SHOWN:  
 SN XXXX = 4 DIGIT SERIAL NO  
 DC YYWW = YEAR & WEEK DATE CODE

4. DIMENSIONS IN BRACKETS ARE MILLIMETERS.

OUTLINE DRAWING

|   |   |                         |                             |           |  |
|---|---|-------------------------|-----------------------------|-----------|--|
|   | Model No.<br><b>M39030/6-02(N OR S)</b>   |                         | <b>MIDWEST MICROWAVE</b>    |           |  |
|   | Cage Code<br><b>34078</b>   |                         | Title<br><b>TERMINATION</b> | Material  |  |
| <small>This PROPRIETARY Document is property of Emerson Network Power Connectivity Solutions. It is confidential in nature, non-transferable, and issued with the clear understanding that it is not traced or copied without permission and is returnable upon demand.</small> | <small>UNLESS OTHERWISE SPECIFIED</small><br>UNITS: INCHES<br>.XX ±.01<br>.XXX ±.003<br>.XXXX ±.0010<br>ANGLES ±1°00' |                         | 3RD ANGLE PROJECTION<br>    |           | Drawing No.<br><b>M39030/6-02(N OR S)-01</b> |
|   | Drawn by<br><b>CWW</b>  | Date<br><b>10/30/12</b> | Rev.<br><b>D</b>            | Finish    |  |
| Approved by<br><b>PAK</b>   | Date<br><b>10/31/12</b>   | Size<br><b>C</b>        | DO NOT SCALE DRAWING        | Scale 6:1 | Sheet 1 of 1                                 |