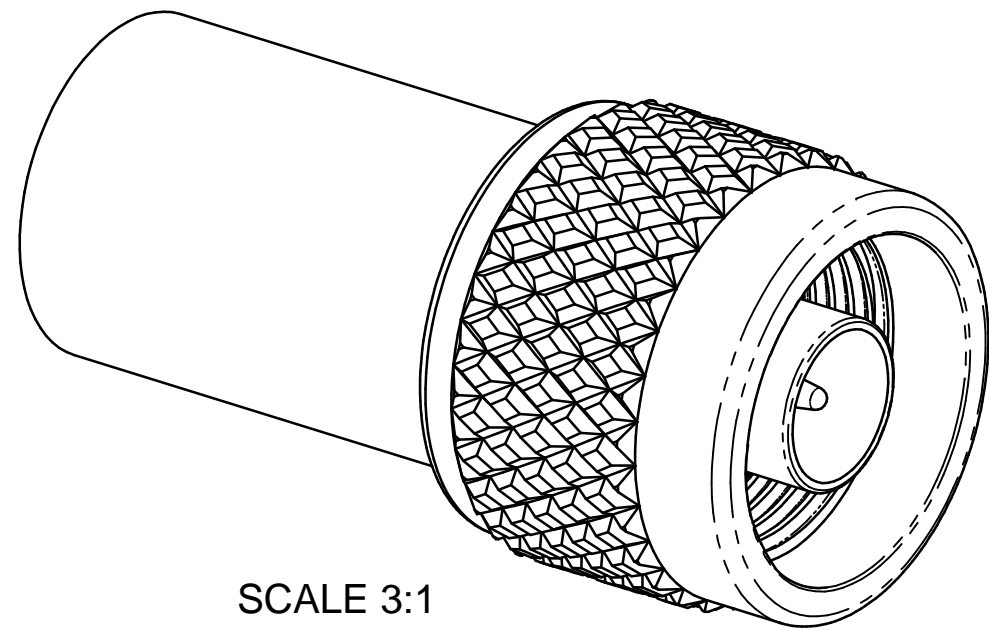
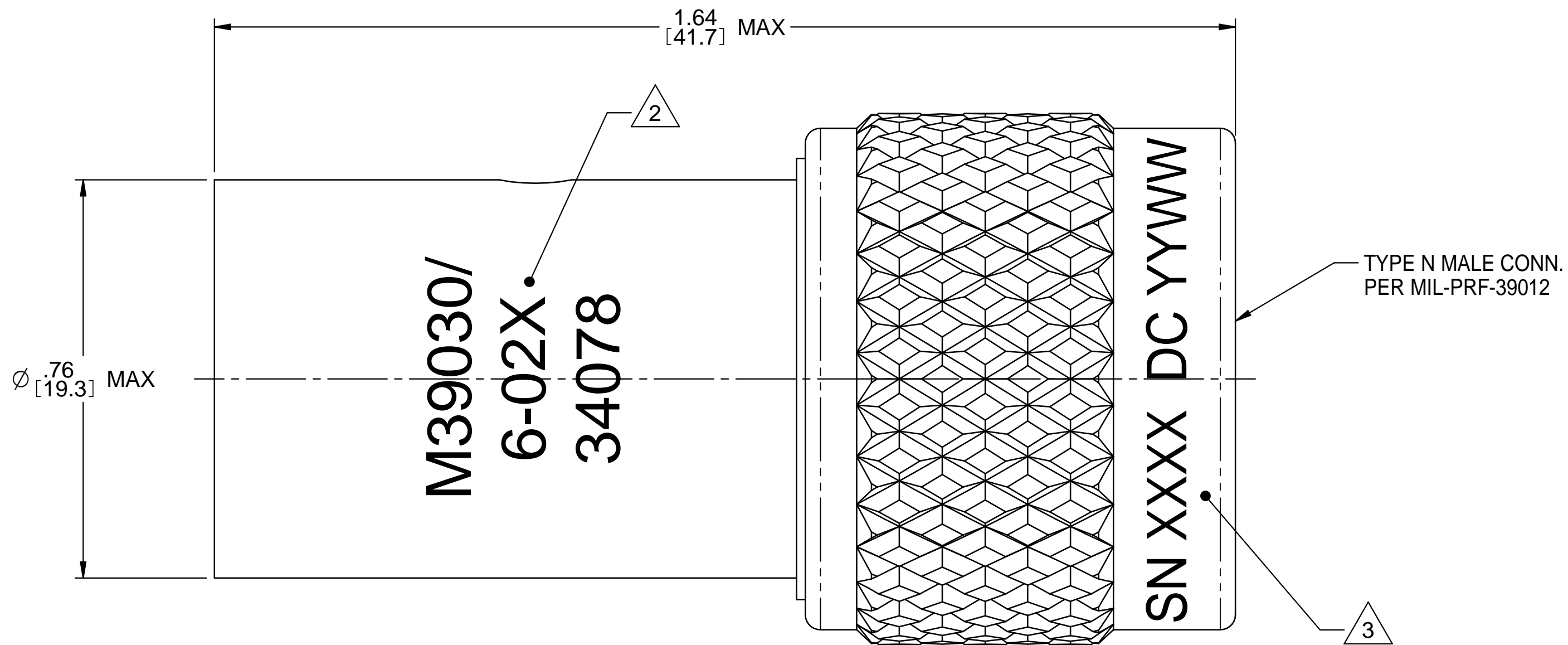


ZONE	REV	ECO	DESCRIPTION	APPR.	DATE
	A	15080			2/14/96
	A1		ADD TITLEBLOCK		7/7/05
	D	24435		PAK	10/18/12



SCALE 3:1



TYPE N MALE CONN.
PER MIL-PRF-39012

NOTES: UNLESS OTHERWISE SPECIFIED.

1. SPECIFICATIONS:

- 1.1 FREQUENCY RANGE: DC TO 12.4 GHz
- 1.2 VSWR: 1.35:1 MAX
- 1.3 POWER HANDLING: 1 WATTS AVG., 1.0 KILOWATT PEAK.
DERATED LINEARLY FROM 100% AT 25C TO 10% AT SPECIFIED MAXIMUM AMBIENT OPERATING TEMPERATURE.
- 1.4 OPERATING TEMP. RANGE: -55°C TO +125°C
- 1.5 MAXIMUM WEIGHT: 3 OZ (85 GRAMS)

2. MARK UNIT AS SHOWN.

3. MARK COUPLING NUT AS SHOWN:
SN XXXX = 4 DIGIT SERIAL NO
DC YYWW = YEAR & WEEK DATE CODE

4. DIMENSIONS IN BRACKETS ARE MILLIMETERS.

OUTLINE DRAWING

	Model No. M39030/6-02(N OR S)		MIDWEST MICROWAVE		
	Cage Code 34078		Title TERMINATION	Material	
<small>This PROPRIETARY Document is property of Emerson Network Power Connectivity Solutions. It is confidential in nature, non-transferable, and issued with the clear understanding that it is not traced or copied without permission and is returnable upon demand.</small>	<small>UNLESS OTHERWISE SPECIFIED</small> UNITS: INCHES .XX ±.01 .XXX ±.003 .XXXX ±.0010 ANGLES ±1°00'		3RD ANGLE PROJECTION 		Drawing No. M39030/6-02(N OR S)-01
	Drawn by CWW	Date 10/30/12	Rev. D	Finish	
Approved by PAK	Date 10/31/12	Size C	DO NOT SCALE DRAWING	Scale 6:1	Sheet 1 of 1