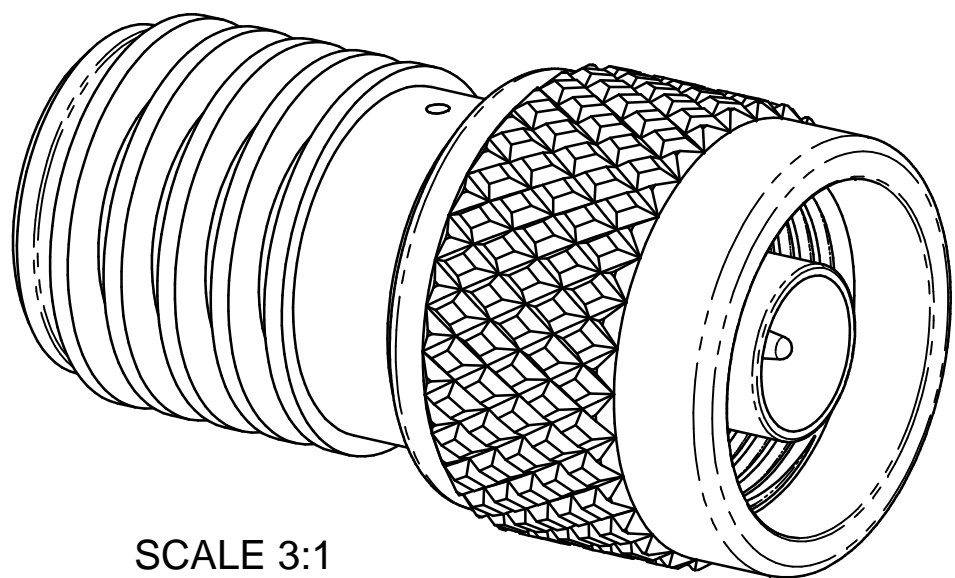
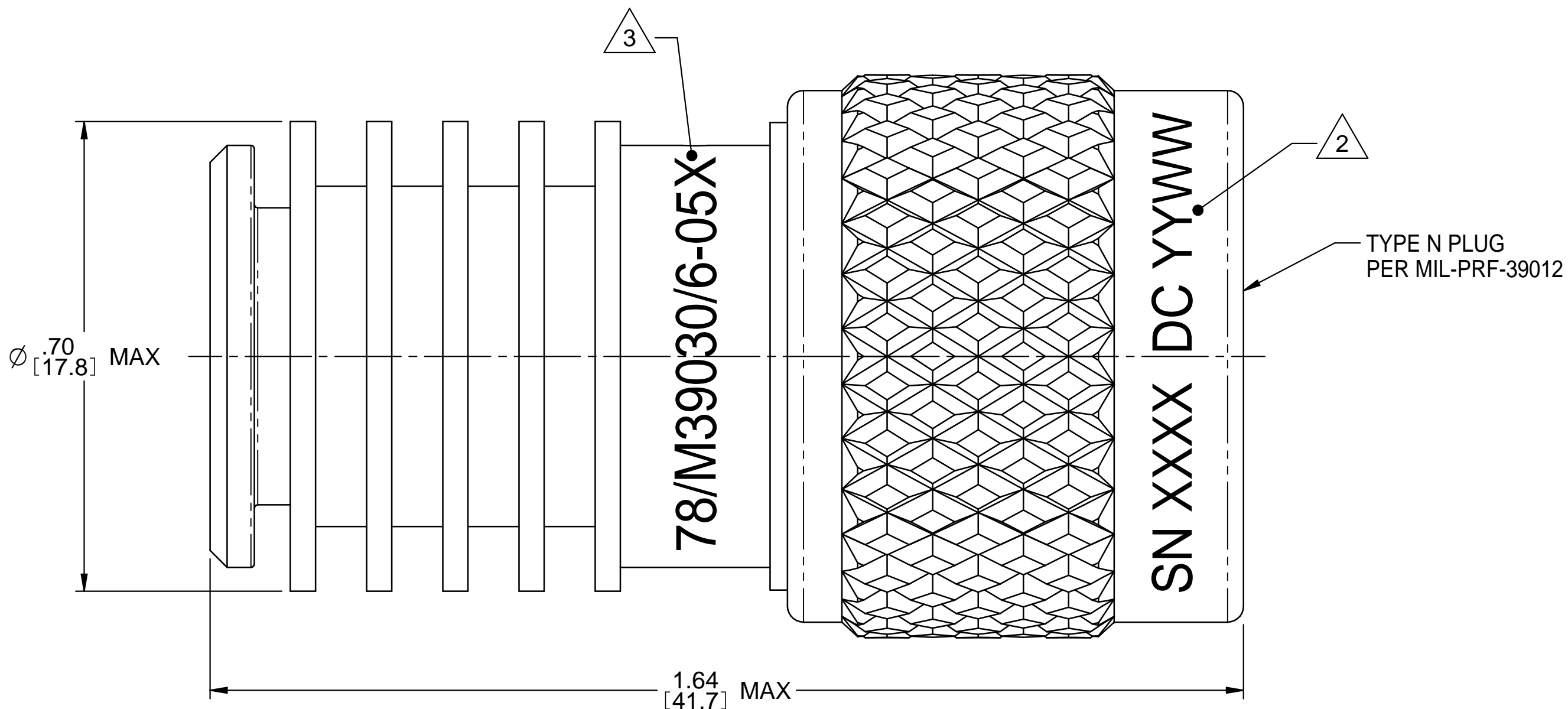


ZONE	REV	ECO	DESCRIPTION	APPR.	DATE
	E	24392			
	F	24499		PAK	10/8/12
	G	24628		PAK	1/18/13



SCALE 3:1



NOTES: UNLESS OTHERWISE SPECIFIED.

1. ELECTRICAL SPECIFICATIONS:

- 1.1 FREQUENCY RANGE: DC TO 12.4 GHz
- 1.2 VSWR (MAX): 1.15:1
- 1.3 POWER HANDLING: 5 WATTS AVERAGE, 2 KILOWATTS PEAK.
  - 1.3.1 AVERAGE INPUT POWER IS DERATED FROM 100% AT +25°C TO 10% AT SPECIFIED MAXIMUM AMBIENT OPERATING TEMPERATURE.
- 1.4 OPERATING TEMP. RANGE: -55°C TO +125°C
- 1.5 WEIGHT: 5 OZ MAX.

2. MARK COUPLING NUT AS SHOWN: SN XXXX DC YYWW

3. MARK COUPLING WHERE INDICATED:  
34078/M39030/6-05X

X = N FOR NON-SCREENED UNITS  
S FOR SCREENED UNITS

- 4. TESTING: TEST PER ATP-07840-60-02
- 5. THIS UNIT REQUIRES A DUST CAP, REF CAP-06931-24-04-54.
- 6. BAG VSWR DATA WITH UNIT.
- 7. DIMENSIONS IN BRACKETS ARE MILLIMETERS.

	Model No. <b>M39030/6-05(N OR S)</b>		<b>MIDWEST MICROWAVE</b>			
	Cage Code <b>34078</b>		Title <b>TERMINATION</b>		Material	
<small>This PROPRIETARY Document is property of Emerson Network Power Connectivity Solutions. It is confidential in nature, non-transferable, and issued with the clear understanding that it is not traced or copied without permission and is returnable upon demand.</small>	<small>UNLESS OTHERWISE SPECIFIED</small> UNITS: INCHES .XX ±.02 .XXX ±.005 ANGLES ±1°		Drawing No. <b>M39030/6-05(N OR S)-01</b>		Rev. Finish	
	Drawn by <b>CWW</b>	Date <b>5/7/13</b>	Approved by <b>PAK</b>	Date <b>5/8/13</b>	Rev. <b>G</b>	Finish
	Size <b>C</b>		DO NOT SCALE DRAWING		Scale <b>6:1</b>	Sheet <b>1 of 1</b>