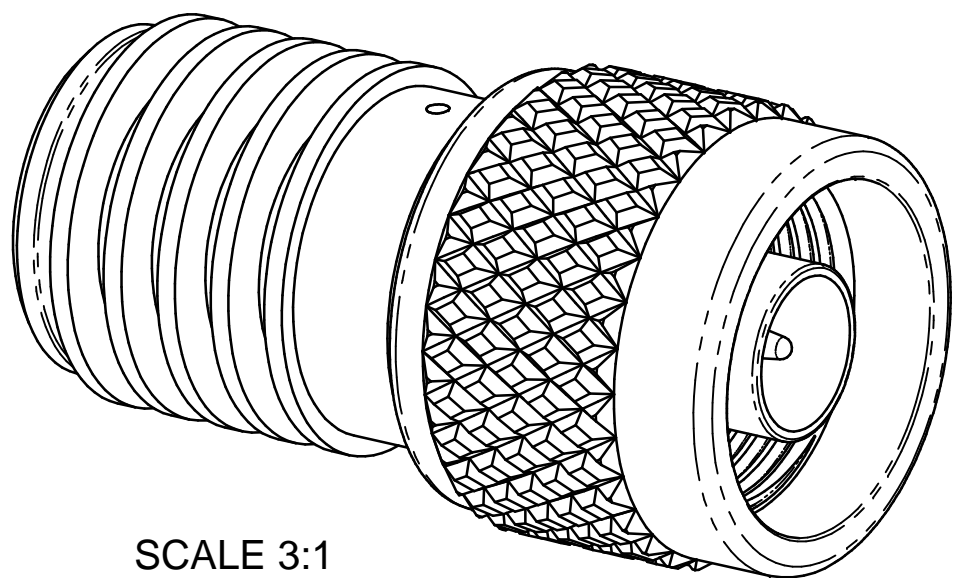
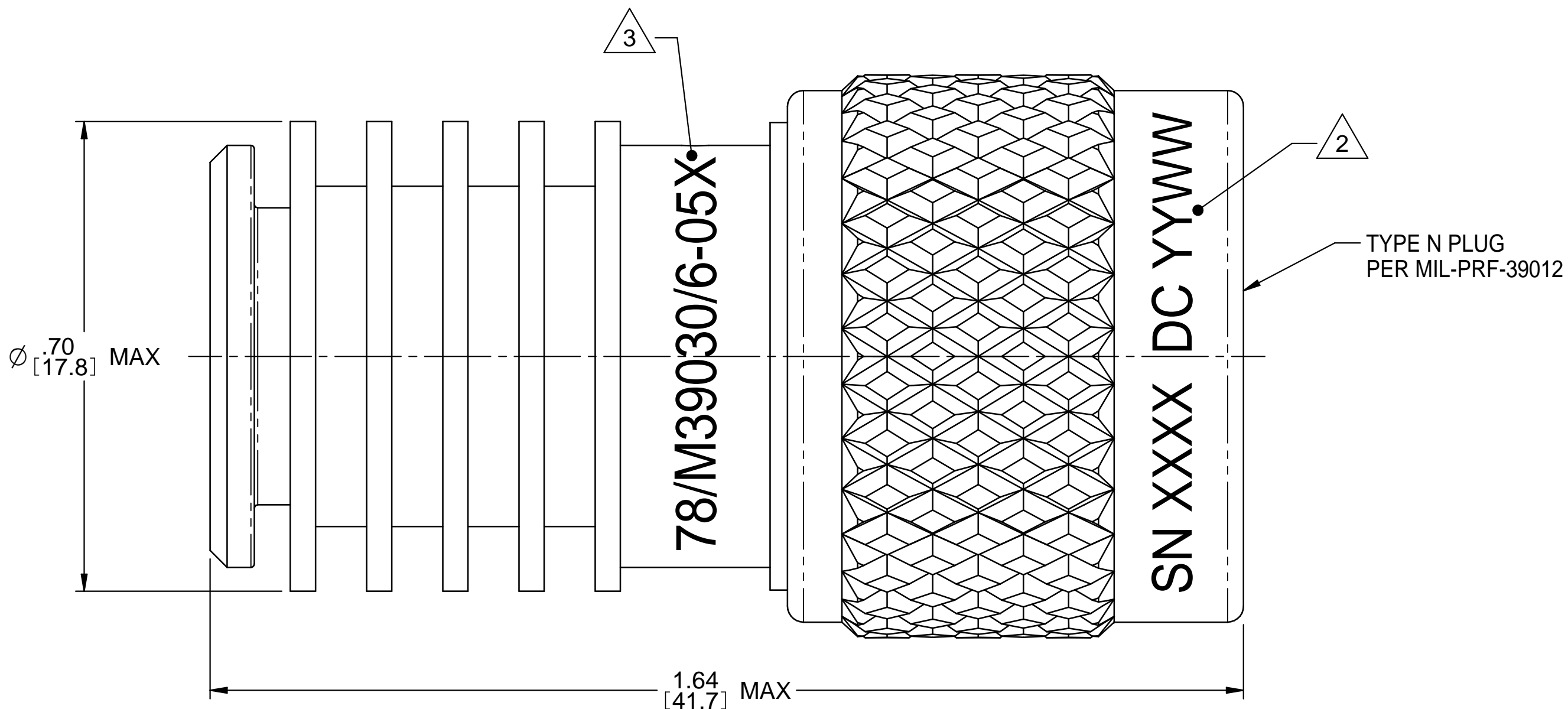


ZONE	REV	ECO	DESCRIPTION	APPR.	DATE
	E	24392			
	F	24499		PAK	10/8/12
	G	24628		PAK	1/18/13



SCALE 3:1



NOTES: UNLESS OTHERWISE SPECIFIED.

1. ELECTRICAL SPECIFICATIONS:
 - 1.1 FREQUENCY RANGE: DC TO 12.4 GHz
 - 1.2 VSWR (MAX): 1.15:1
 - 1.3 POWER HANDLING: 5 WATTS AVERAGE, 2 KILOWATTS PEAK.
 - 1.3.1 AVERAGE INPUT POWER IS DERATED FROM 100% AT +25°C TO 10% AT SPECIFIED MAXIMUM AMBIENT OPERATING TEMPERATURE.
 - 1.4 OPERATING TEMP. RANGE: -55°C TO +125°C
 - 1.5 WEIGHT: 5 OZ MAX.

2. MARK COUPLING NUT AS SHOWN: SN XXXX DC YYWW

3. MARK COUPLING WHERE INDICATED:
34078/M39030/6-05X

X = N FOR NON-SCREENED UNITS
S FOR SCREENED UNITS

4. TESTING: TEST PER ATP-07840-60-02
5. THIS UNIT REQUIRES A DUST CAP, REF CAP-06931-24-04-54.
6. BAG VSWR DATA WITH UNIT.
7. DIMENSIONS IN BRACKETS ARE MILLIMETERS.

	Model No. M39030/6-05(N OR S)		MIDWEST MICROWAVE		
	Cage Code 34078		Title TERMINATION	Material	
<small>This PROPRIETARY Document is property of Emerson Network Power Connectivity Solutions. It is confidential in nature, non-transferable, and issued with the clear understanding that it is not traced or copied without permission and is returnable upon demand.</small>	3RD ANGLE PROJECTION 		Drawing No. M39030/6-05(N OR S)-01	Rev. G	Finish
	<small>UNLESS OTHERWISE SPECIFIED</small> UNITS: INCHES .XX ±.02 .XXX ±.005 ANGLES ±1°	Drawn by CWW Date 5/7/13	Approved by PAK Date 5/8/13	Size C	DO NOT SCALE DRAWING