

PRODUCT DATA DRAWING

REVISION HISTORY			
REV	DESCRIPTION	DATE	APPROVED
D	DCN 38201	05/11	PJS

MATERIAL:

BODIES, COUPLING NUT: STAINLESS STEEL PER AMS-5640, ALLOY UNS S30300, TYPE 1

LOCK RINGS, CONTACTS: BERYLLIUM COPPER PER ASTM B196, ALLOY No. UNS C17300, TD04

SLEEVE: BRASS PER ASTM B16, ALLOY UNS No. C36000

BELLOWS: ELECTRO-DEPOSITED GOLD OVER NICKEL

INSULATORS: PTFE PER ASTM D1710, TYPE I, GRADE 1, CLASS B

GASKETS: SILICONE RUBBER PER A-A-59588, CLASS 2B, GRADE 50/60

RESISTOR ELEMENTS: ALUMINA SUBSTRATE WITH TANTALUM NITRIDE RESISTOR

FINISH:

BODIES, COUPLING NUT: PASSIVATED PER AMS-2700

CONTACTS, SLEEVE: GOLD PER ASTM B488, TYPE II, CODE C, CLASS 1.27; OVER NICKEL PER AMS-QQ-N-290, CLASS 1, .00005" MIN.

PERFORMANCE:

IMPEDANCE: 50 OHMS

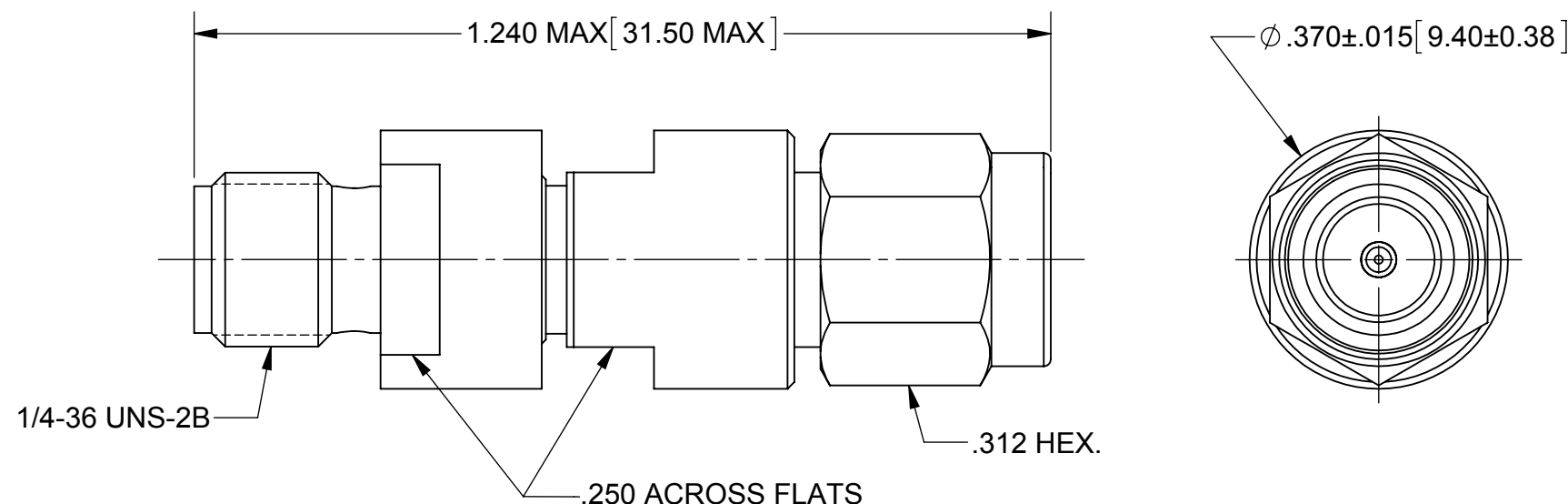
FREQ. RANGE: DC TO 12.4 GHz

VSWR: SEE TABLE 1

OPERATING TEMP.: -55°C TO +125°C

AVG. POWER: 2 WATT (POWER INPUT DERATED LINEARLY FROM 25°C TO 0.5 WATTS AT 125°C)

PEAK POWER: 200 WATTS (PEAK POWER FOR A DUTY CYCLE OF 5X10⁻⁴ MAXIMUM PULSE DURATION OF 5 MICROSECONDS)



"XX" NUMBER TO dB VALUE CHART

"XX" NUMBER	dB VALUE
01	3
02	6
03	10
04	20
05	15
06	1
07	2
08	4
09	5

"XX" NUMBER	dB VALUE
10	7
11	8
12	9
18	16
19	14
20	13
21	12
22	11
23	1.5

dB VALUE	ATTENUATION ACCURACY	VSWR		
		2-4 GHz	4-8 GHz	8-12.4 GHz
1-6 dB	±0.3 dB	1.15:1	1.20:1	1.25:1
7-9 dB	±0.4 dB			
10 dB	±0.3 dB			
11-20 dB	±0.5 dB			

MATERIAL: SEE NOTES	DIMENSIONS ARE IN INCHES TOLERANCES: FRACTIONAL: ±1/64 ANGULAR: X° ±1'0" X'X' ±15'	UNLESS OTHERWISE SPECIFIED 1) ALL DIMENSIONS ARE IN INCHES (MILLIMETERS) 2) ALL DIMENSIONS ARE AFTER PLATING. 3) BREAK CORNERS & EDGES .005 R. MAX. 4) CHAM. 1ST & LAST THREADS. 5) SURFACE ROUGHNESS 63-MIL-STD-10. 6) DIA: 'S ON COMMON CENTERS TO BE CONCENTRIC WITHIN .005 T.I.R. 7) REMOVE ALL BURRS	SV Microwave, Inc. 2400 Centrepark West Drive, Suite 100 West Palm Beach, FL 33409
FINISH: SEE NOTES	DECIMAL: X ±.030 .XX ±.010 .XXX ±.005	INTERPRET DIMENSIONS AND TOLERANCES PER ASME Y14.5M - 1994	TITLE: SMA PLUG TO JACK ATTENUATOR
SURFACE AREA: N/A	THIRD ANGLE PROJECTION	DRAWN: CCC 04/19/04 CHECKED: JMC 04/20/04 APPROVED: JMC 04/20/04	SIZE: B CAGE CODE: 95077 DWG. NO. M3933/14-XX
<p>PROPRIETARY</p> <p>THE INFORMATION CONTAINED IN THIS DRAWING IS THE SOLE PROPERTY OF SV MICROWAVE, INC. ANY REPRODUCTION IN PART OR AS A WHOLE WITHOUT THE WRITTEN PERMISSION OF SV MICROWAVE, INC IS PROHIBITED.</p>			SCALE: 4:1 SHEET 1 OF 1