

PRODUCT DATA DRAWING

REVISION HISTORY			
REV	DESCRIPTION	DATE	APPROVED
D	DCN 38201	05/11	PJS

MATERIAL:

BODIES, COUPLING NUT: STAINLESS STEEL PER AMS-5640, ALLOY UNS S30300, TYPE 1

LOCK RINGS, CONTACTS: BERYLLIUM COPPER PER ASTM B196, ALLOY No. UNS C17300, TD04

SLEEVE: BRASS PER ASTM B16, ALLOY UNS No. C36000

BELLOWS: ELECTRO-DEPOSITED GOLD OVER NICKEL

INSULATORS: PTFE PER ASTM D1710, TYPE I, GRADE 1, CLASS B

GASKETS: SILICONE RUBBER PER A-A-59588, CLASS 2B, GRADE 50/60

RESISTOR ELEMENTS: ALUMINA SUBSTRATE WITH TANTALUM NITRIDE RESISTOR

FINISH:

BODIES, COUPLING NUT: PASSIVATED PER AMS-2700

CONTACTS, SLEEVE: GOLD PER ASTM B488, TYPE II, CODE C, CLASS 1.27; OVER NICKEL PER AMS-QQ-N-290, CLASS 1, .00005" MIN.

PERFORMANCE:

IMPEDANCE: 50 OHMS

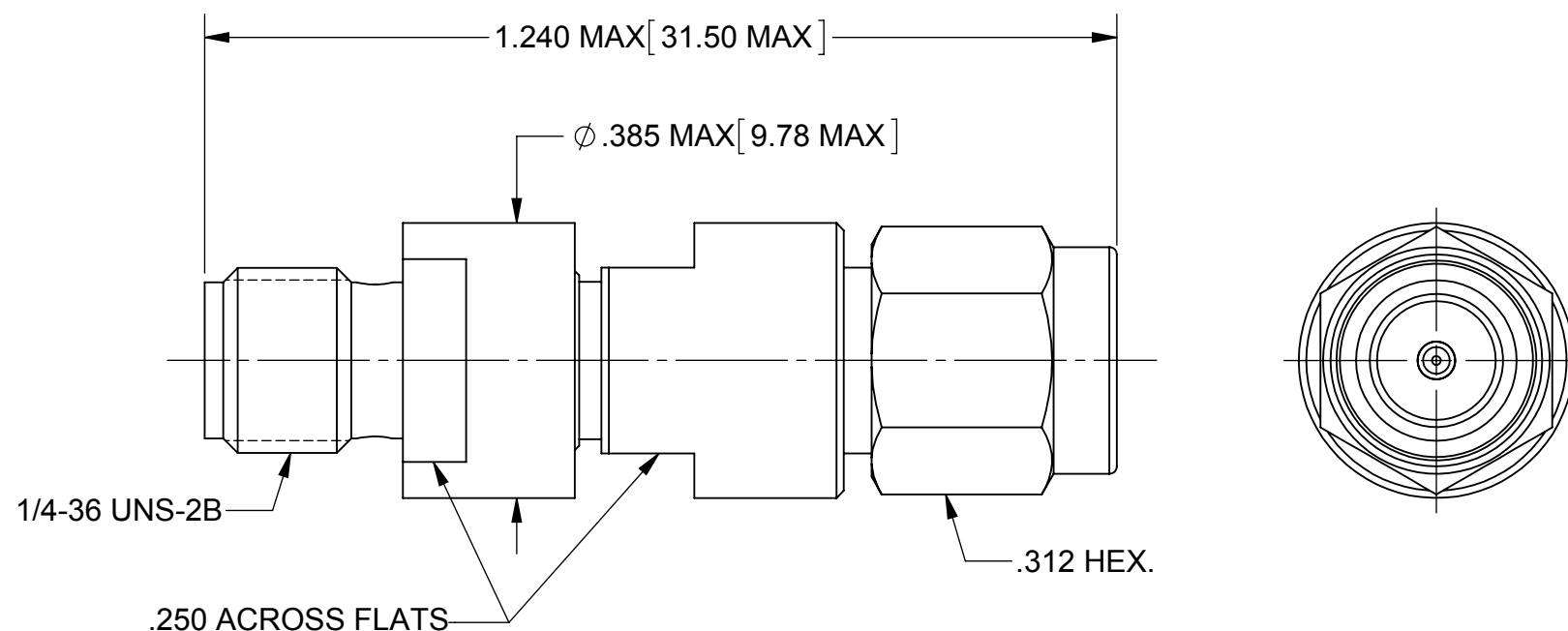
FREQ. RANGE: DC TO 18.0 GHz

VSWR: SEE TABLE 1

OPERATING TEMP.: -55°C TO +125°C

AVG. POWER: 2 WATT (POWER INPUT DERATED LINEARLY FROM 25°C TO 0.5 WATTS AT 125°C)

PEAK POWER: 500 WATTS (PEAK POWER FOR A DUTY CYCLE OF 5X10⁻⁴ MAXIMUM PULSE DURATION OF 5 MICROSECONDS)



"XX" NUMBER TO dB VALUE CHART

"XX" NUMBER	dB VALUE
-01	3
-02	6
-03	10
-04	20
-05	1
-06	2
-07	4
-08	5
-09	7
-10	8
-11	9
-16	0
-17	0.5
-18	1.5

"XX" NUMBER	dB VALUE
-19	2.5
-20	3.5
-21	4.5
-22	5.5
-23	6.5
-24	7.5
-25	8.5
-26	9.5
-27	10.5
-28	11
-29	11.5
-30	12
-31	12.5
-32	13

"XX" NUMBER	dB VALUE
-33	13.5
-34	14
-35	14.5
-36	15
-37	15.5
-38	16
-39	16.5
-40	17
-41	17.5
-42	18
-43	18.5
-44	19
-45	19.5

dB VALUE	ATTENUATION ACCURACY	VSWR			
		DC-4 GHz	4-8 GHz	8-12.4 GHz	12.4-18 GHz
0-2.5 dB	±0.4 dB	1.15:1	1.20:1	1.25:1	1.35:1
3-6.5 dB	±0.3 dB				
7-15.5 dB	±0.5 dB				
16-20 dB	±0.7 dB				

MATERIAL: SEE NOTES	DIMENSIONS ARE IN INCHES TOLERANCES: FRACTIONAL: ±1/64 ANGULAR: X° ±1'0" X'X' ±15'	UNLESS OTHERWISE SPECIFIED 1) ALL DIMENSIONS ARE IN INCHES (MILLIMETERS) 2) ALL DIMENSIONS ARE AFTER PLATING. 3) BREAK CORNERS & EDGES .005 R. MAX. 4) CHAM. 1ST & LAST THREADS. 5) SURFACE ROUGHNESS 63-MIL-STD-10. 6) DIA: 'S ON COMMON CENTERS TO BE CONCENTRIC WITHIN .005 T.I.R. 7) REMOVE ALL BURRS	SV Microwave, Inc. 2400 Centrepark West Drive, Suite 100 West Palm Beach, FL 33409
FINISH: SEE NOTES	DECIMAL: X ±.030 .XX ±.010 .XXX ±.005	INTERPRET DIMENSIONS AND TOLERANCES PER ASME Y14.5M - 1994	TITLE: SMA JACK TO PLUG DC-18 GHz ATTENUATOR
SURFACE AREA: N/A	THIRD ANGLE PROJECTION	DRAWN: MEB 01/31/03 CHECKED: STW 01/31/03 APPROVED: STW 01/31/03	SIZE: B CAGE CODE: 95077 DWG. NO. M3933/16-XX
<p>PROPRIETARY</p> <p>THE INFORMATION CONTAINED IN THIS DRAWING IS THE SOLE PROPERTY OF SV MICROWAVE, INC. ANY REPRODUCTION IN PART OR AS A WHOLE WITHOUT THE WRITTEN PERMISSION OF SV MICROWAVE, INC IS PROHIBITED.</p>			SCALE: 4:1 SHEET 1 OF 1