

# PRODUCT DATA DRAWING

REVISION HISTORY			
REV	DESCRIPTION	DATE	APPROVED
C	DCN 38201	05/11	PJS

**MATERIAL:**

- BODIES, COUPLING NUT: STAINLESS STEEL PER AMS-5640, ALLOY UNS S30300, TYPE 1
- LOCK RINGS, CONTACTS: BERYLLIUM COPPER PER ASTM B196, ALLOY No. UNS C17300, TD04
- SLEEVE: BRASS PER ASTM B16, ALLOY UNS No. C36000
- BELLOWS: ELECTRO-DEPOSITED GOLD OVER NICKEL
- INSULATORS: PTFE PER ASTM D1710, TYPE I, GRADE 1, CLASS B
- GASKETS: SILICONE RUBBER PER A-A-59588, CLASS 2B, GRADE 50/60
- RESISTOR ELEMENTS: ALUMINA SUBSTRATE WITH TANTALUM NITRIDE RESISTOR

**FINISH:**

- BODIES, COUPLING NUT: PASSIVATED PER AMS-2700
- CONTACTS, SLEEVE: GOLD PER ASTM B488, TYPE II, CODE C, CLASS 1.27; OVER NICKEL PER AMS-QQ-N-290, CLASS 1, .00005" MIN.

**PERFORMANCE:**

- IMPEDANCE: 50 OHMS
- FREQ. RANGE: DC TO 18.0 GHZ
- VSWR: SEE TABLE 1
- OPERATING TEMP.: -55°C TO +125°C
- AVG. POWER: 2 WATT (POWER INPUT DERATED LINEARLY FROM 25°C TO 0.5 WATTS AT 125°C)
- PEAK POWER: 500 WATTS (PEAK POWER FOR A DUTY CYCLE OF 5X10<sup>-4</sup> MAXIMUM PULSE DURATION OF 5 MICROSECONDS)
- ENGAGEMENT/DISENGAGEMENT: 2 IN-LBS

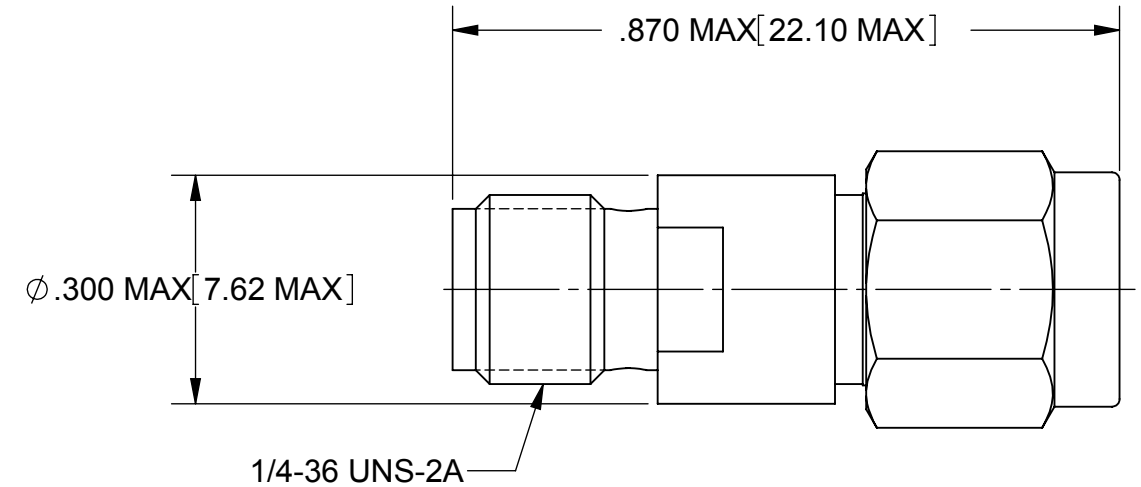
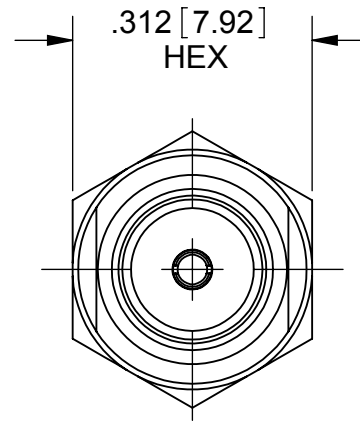


		TABLE 1				
dB VALUE	ATTENUATION ACCURACY	VSWR				
		DC-2 GHz	2-4 GHz	4-8 GHz	8-12.4 GHz	12.4-18 GHz
0-6.5 dB	±0.3 dB	1.10:1	1.15:1	1.20:1	1.25:1	1.35:1
7-8.5 dB	±0.4 dB					
9-14.5 dB	±0.5 dB					
15-20 dB	±0.6 dB					

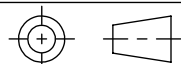
MATERIAL: SEE NOTES	DIMENSIONS ARE IN INCHES TOLERANCES: FRACTIONAL: ±1/64 ANGULAR: X° ±1'0" X'X' ±15'	UNLESS OTHERWISE SPECIFIED 1) ALL DIMENSIONS ARE IN INCHES (MILLIMETERS) 2) ALL DIMENSIONS ARE AFTER PLATING. 3) BREAK CORNERS & EDGES .005 R. MAX. 4) CHAM. 1ST & LAST THREADS. 5) SURFACE ROUGHNESS 63-MIL-STD-10. 6) DIA.'S ON COMMON CENTERS TO BE CONCENTRIC WITHIN .005 T.I.R. 7) REMOVE ALL BURRS	<b>SV Microwave, Inc.</b> 2400 Centrepark West Drive, Suite 100 West Palm Beach, FL 33409 TITLE: <b>SMA PLUG TO JACK MICRO ATTENUATOR DC TO 18 GHZ</b>
FINISH: SEE NOTES	DECIMAL: X ±.030 .XX ±.010 .XXX ±.005	INTERPRET DIMENSIONS AND TOLERANCES PER ASME Y14.5M - 1994	
SURFACE AREA: N/A	THIRD ANGLE PROJECTION	DRAWN: VMJ 03/07/03	SIZE: B CAGE CODE: 95077 DWG. NO. M3933/25-XX
PROPRIETARY THE INFORMATION CONTAINED IN THIS DRAWING IS THE SOLE PROPERTY OF SV MICROWAVE, INC. ANY REPRODUCTION IN PART OR AS A WHOLE WITHOUT THE WRITTEN PERMISSION OF SV MICROWAVE, INC IS PROHIBITED.		CHECKED: STW 03/09/03	SCALE: 4:1
		APPROVED: STW 03/09/03	SHEET 1 OF 2

# PRODUCT DATA DRAWING

REVISION HISTORY			
REV	DESCRIPTION	DATE	APPROVED
C	DCN 38201	05/11	STW

## "XX" NUMBER TO dB VALUE CHART

"XX" NUMBER	dB VALUE	"XX" NUMBER	dB VALUE	"XX" NUMBER	dB VALUE	"XX" NUMBER	dB VALUE
01	1	19	19	43	17	72	7
02	2	20	20	44	18	73	7.5
03	3	27	1	45	19	74	8
04	4	28	2	46	20	75	8.5
05	5	29	3	58	0	76	9
06	6	30	4	59	0.5	77	9.5
07	7	31	5	60	1	78	10
08	8	32	6	61	1.5	79	11
09	9	33	7	62	2	80	12
10	10	34	8	63	2.5	81	13
11	11	35	9	64	3	82	14
12	12	36	10	65	3.5	83	15
13	13	37	11	66	4	84	16
14	14	38	12	67	4.5	85	17
15	15	39	13	68	5	86	18
16	16	40	14	69	5.5	87	19
17	17	41	15	70	6	88	20
18	18	42	16	71	6.5		

MATERIAL: SEE NOTES	DIMENSIONS ARE IN INCHES TOLERANCES: FRACTIONAL: ±1/64 ANGULAR: X° ±1°0' X'X' ±15'	UNLESS OTHERWISE SPECIFIED 1) ALL DIMENSIONS ARE IN INCHES (MILLIMETERS) 2) ALL DIMENSIONS ARE AFTER PLATING. 3) BREAK CORNERS & EDGES .005 R. MAX. 4) CHAM. 1ST & LAST THREADS. 5) SURFACE ROUGHNESS 63-MIL-STD-10. 6) DIA: 'S ON COMMON CENTERS TO BE CONCENTRIC WITHIN T.I.R. 7) REMOVE ALL BURRS	<b>SV Microwave, Inc.</b> 2400 Centrepark West Drive, Suite 100 West Palm Beach, FL 33409 TITLE: SMA PLUG TO JACK MICRO ATTENUATOR DC TO 18 GHz
FINISH: SEE NOTES	DECIMAL: X ±.030 .XX ±.010 .XXX ±.005	INTERPRET DIMENSIONS AND TOLERANCES PER ASME Y14.5M - 1994	
SURFACE AREA: N/A	THIRD ANGLE PROJECTION 	DRAWN: VMJ 03/07/03 CHECKED: STW 03/09/03 APPROVED: STW 03/09/03	SIZE: B CAGE CODE: 95077 DWG. NO.: M3933/25-XX SCALE: 4:1 SHEET 2 OF 2
PROPRIETARY THE INFORMATION CONTAINED IN THIS DRAWING IS THE SOLE PROPERTY OF SV MICROWAVE, INC. ANY REPRODUCTION IN PART OR AS A WHOLE WITHOUT THE WRITTEN PERMISSION OF SV MICROWAVE, INC IS PROHIBITED.			