

RED INDICATES ORIGINAL

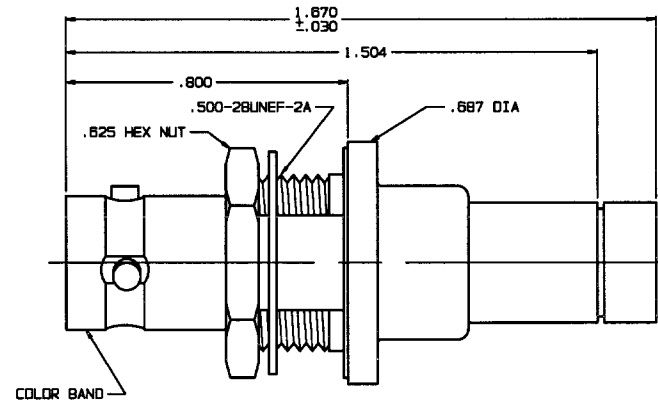
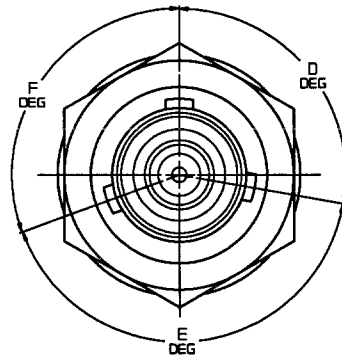
TABLE 1		
DASH NO	CABLES ACCOMMODATED	ASSEMBLE PER
-201	M17/17B-00002	TAI-206
-202	TWC-78-1	
-203	TWC-124-1A	
-204	10602, RAYCHEM	
-205	TWAC-78-1F2	
-206	782600130, RAYCHEM	
-207	83310, BELDEN	
-208	202-3927, MICRODOT	
-209	202-3942, MICRODOT	
-210	8451, BELDEN	
-211	202-3934, MICRODOT	
-212	2524E0114, RAYCHEM	
-213	TWC-78-2	
-214	TWC-124-2	
-215	BL982, TIMES	
-216	BL1242, TIMES	
-217	GC875TM24H, GRUMMAN	
-218	EDP22188B, RAYCHEM	
-219	252601114, RAYCHEM	
-220	GC875RR1, GRUMMAN	
-221	10614, RAYCHEM	
-222	10613, RAYCHEM	
-223	HMS2-1149, HUGHES	
-224	TWCP-124-3	
-225	PS665PL, PRIME STOCK	

TABLE 2		
MILITARY PART NO (PIN)	MILITARY CABLE PART NO	TROMPETER PART NO (REF ONLY)
M49142/05-001B	M17/45-RG108	MBJ79MC-213
M49142/05-011B	M17/45-RG108	MBJ79MCY-213
M49142/05-021B	M17/45-RG108	MBJ79MCS-213
M49142/05-0017	M17/17B-00002	MBJ79MC-201
M49142/05-0117	M17/17B-00002	MBJ79MCY-201
M49142/05-0217	M17/17B-00002	MBJ79MCS-201

DWG SIZE C	DATA CONTAINED IN THIS DOCUMENT IS PROPRIETARY TO TROMPETER ELECTRONICS, INC. AND SHALL NOT BE DISCLOSED, COPIED OR USED FOR REPLICEMENT OR MANUFACTURE WITHOUT EXPRESS WRITTEN PERMISSION.			REVISIONS		3-0295	SH 1
	REV	ED	DESCRIPTION	DWN	APPROVED	DATE	
	A		PRODUCTION RELEASE	TCS			

TABLE 3				
POLARIZATION CHART				
KEY LETTER	D DEGREES	E DEGREES	F DEGREES	COLOR BAND
NONE	120°	120°	120°	NONE
T	100°	150°	110°	RED
U	120°	130°	110°	ORANGE
V	115°	130°	115°	YELLOW
W	125°	110°	125°	GREEN
X	130°	100°	130°	BLUE
Y	110°	140°	110°	VIOLET
Z	100°	160°	100°	GRAY
S	135°	135°	90°	WHITE

INCH	MM
.005	0.13
.030	0.76
.109	2.77
.218	5.54
.221	5.61
.296	7.52
.505	12.83
.510	12.95
.625	15.88
.687	17.45
.800	20.32
1.504	38.20
1.670	42.42



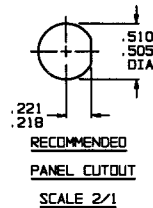
- ⚠ WHEN CONNECTOR IS SUPPLIED TO MILITARY PART NO (SEE TABLE 2):
- ALL PARTS NORMALLY PLATED TFS-1A OR TFS-1U (NICKEL) ARE TO BE PLATED TFS-1M (SILVER)
 - MARK PART WITH MILITARY PIN (SEE TABLE 2) AND "14849"
 - QUALITY CONFORMANCE INSPECTION SHALL BE PER MIL-C-48142 SECTION 4.5

5. EXAMPLE OF COMPLETE MODEL NO:

BJ79MC T - 201

BASIC MODEL NO ——— | ——— CABLE GROUP DASH NO (SEE TABLE 1)

POLARIZATION LETTER NONE RECD FOR STD POLARIZATION (SEE TABLE 3)



- MAX PANEL THK .109
- CONCENTRIC TWINAX 3-LUG TRB, MILITARY FULL CRIMP CABLE RECEPTACLE
- FINISH: TFS-1A (NICKEL) ⚠
- ALL DIMENSIONS ARE IN INCHES

QTY	DESCRIPTION	PART NUMBER	ITEM
TOL UNLESS SPECIFIED .001 ± .002 ± .005 ± UNLESS	TROMPETER ELECTRONICS, INC.	BJ79MC/TW/ WXX/ZZS	
DWN TCS 12/4/95	MATERIAL CODE IDENT	DRAWING NO. 14949	REV A
CHK Bm 12/14/95	SCALE 4/1	DATE 12/14/95	SHEET 1C
ENGR			
APPR			