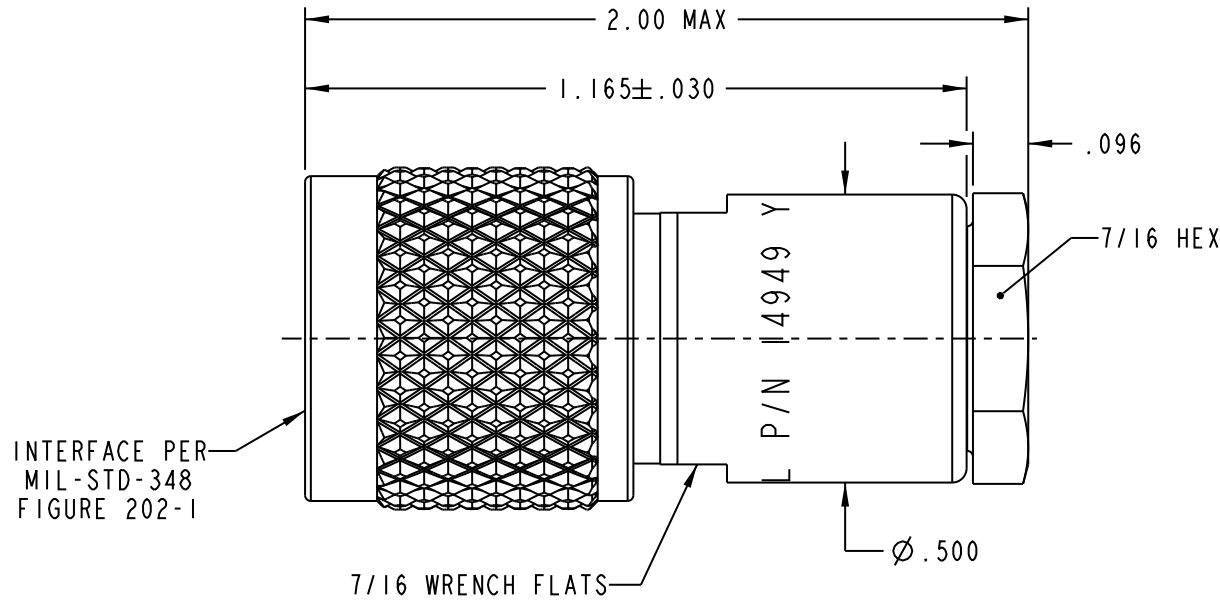
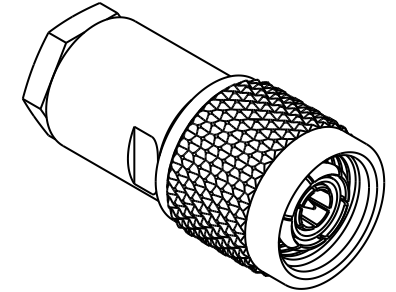


TABLE 1					
MILITARY PART NUMBER	MILITARY CABLE NUMBER	ASSEMBLE PER	CABLE TYPE	TEI DASH #	NSN NUMBER
M49142/08-0001	M17/134-00001 M17/134-00003	TAI-189	TRIAx	7	5935014407772
M49142/08-0002	M17/134-00002 M17/134-00004	TAI-189	TRIAx	7	5935014476164
M49142/08-0005	M17/116-RG307	TAI-250	TRIAx	41A	5935014205897
M49142/08-0006	M17/176-00002	TAI-102	TWINAx	47	5935013962960
M49142/08-0008	M17/177-00001	TAI-189	TRIAx	60	---
M49142/08-0010	M17/179-00001	TAI-189	TRIAx	5	---
M49142/08-0011	M24643/33-01UN	TAI-184	TWINAx	9A	5935015278842

DATA CONTAINED IN THIS DOCUMENT IS PROPRIETARY TO EMERSON CONNECTIVITY SOLUTIONS AND SHALL NOT BE DISCLOSED, COPIED OR USED FOR PROCUREMENT OR MANUFACTURE WITHOUT EXPRESS WRITTEN PERMISSION

REVISIONS			
REV	DESCRIPTIONS	DATE	APPROVED
AE	ECO 53944	4/29/14	C. MONAHAN



INTERFACE PER MIL-STD-348 FIGURE 202-1

7/16 WRENCH FLATS

Ø .650 MAX OVER MALE DIAMOND KNURL

M49142/08-0001 SHOWN

INTERPRET DRAWING PER MIL-STD-100. DIMENSIONS ARE IN INCHES AND INCLUDE FINISH THICKNESS UNLESS OTHERWISE SPECIFIED.		TOL: UNLESS SPECIFIED. .XX ± .02 .XXX ± .010 .XXXX ± .005 ANGLE ± 1° 00' CRITICAL		Connectivity Solutions 299 Johnson Ave. Ste. 100 Waseca, MN 56093 1-800-247-8256	
DRN C. WALLACE 4/29/14	CHK C. MONAHAN 5/1/14	MATERIAL:	TITLE:	M49142/08 WRENCH CRIMP TRT PLUG	
BLANK LENGTH (REF. ONLY)		FINISH:	SIZE	CAGE CODE	DRAWING NO.
N/A			Δ	14949	315-0060
SURFACE AREA		DO NOT SCALE DWG	SCALE	DATE	SHEET
315-0060			3/1		1 OF 2

NOTES: UNLESS OTHERWISE SPECIFIED.