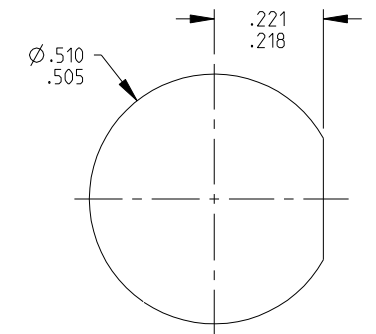
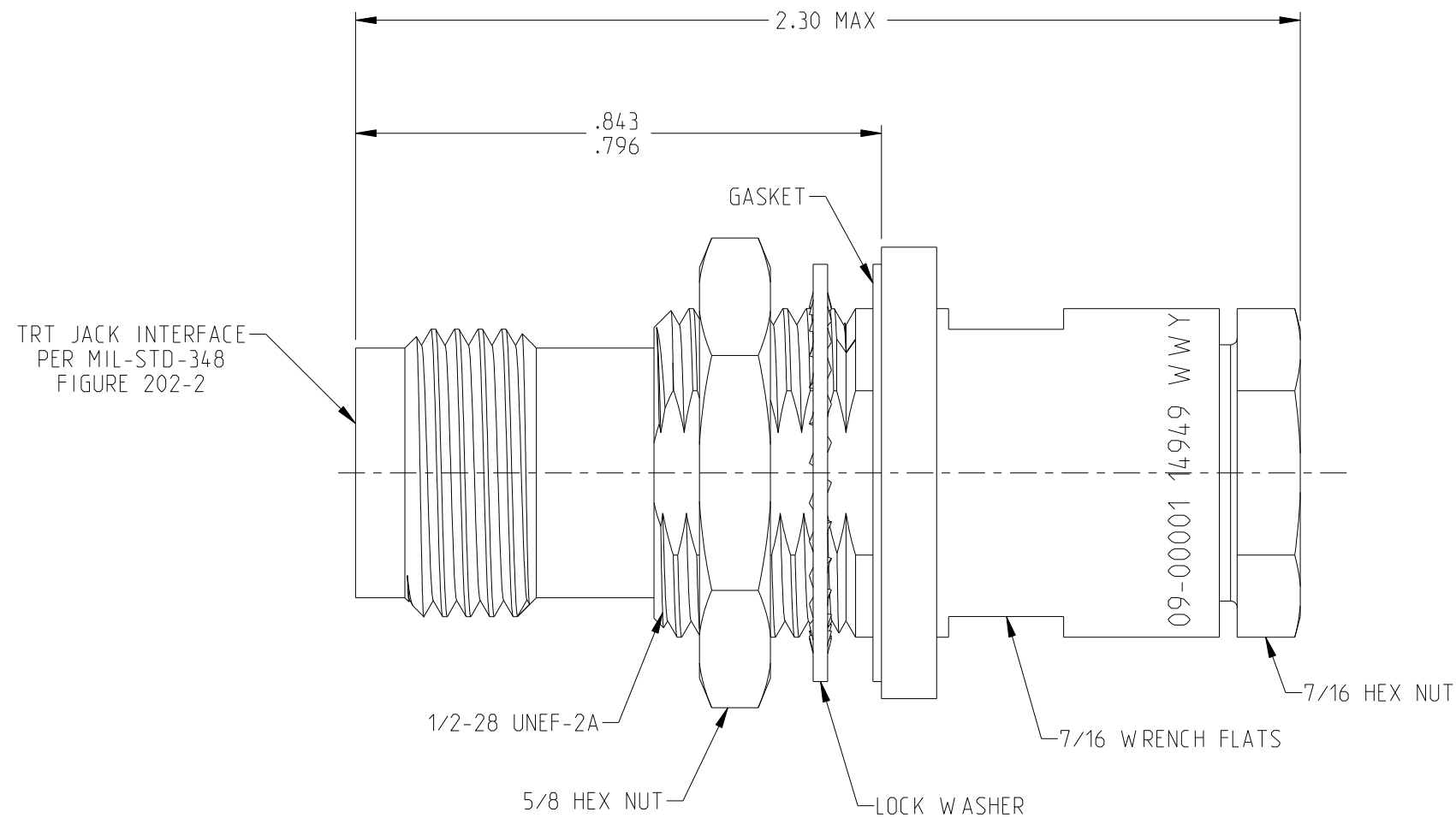
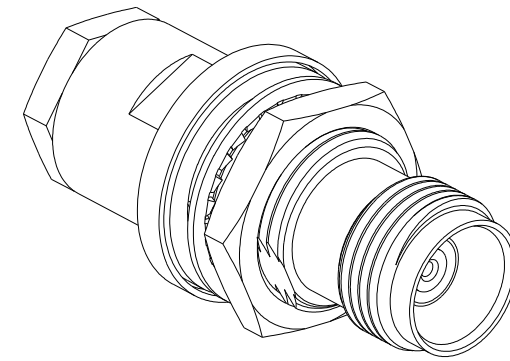


MILITARY PART NUMBER	MILITARY CABLE NUMBER	ASSEMBLY PER	NSN #
M49142/09-0001	M17/134-00001 M17/134-00003	TAI-189	5935015224954
M49142/09-0002	M17/134-00002 M17/134-00004	TAI-189	5935015966169
M49142/09-0006	M17/176-00002	TAI-102	5935013941450
M49142/09-0007	M17/176-RG307	TAI-250	-
M49142/09-0009	M17/177-00001	TAI-189	-
M49142/09-0012	M24643/33-01UM	TAI-184	-

REV	ECO	DATE
R	55160	9/2/2014
T	57965	2/25/2022
U	58322	8/2/2022



RECOMMENED
PANEL CUTOUT

NOTES: UNLESS OTHERWISE SPECIFIED.

1. MATERIAL & FINISH:

- 1.1 BODY, CONE, CLAMP NUT & INSERT: SILVER PLATED BRASS
- 1.2 INSULATOR: PTFE (TEFLON)
- 1.3 INTERMEDIATE CONTACT: GOLD PLATED BRASS
- 1.4 DIELECTRIC: PTFE (TEFLON)
- 1.5 CENTER CONTACT: GOLD PLATED BERYLLIUM COPPER
- 1.6 GASKET: SILICONE RUBBER
- 1.7 MOUNTING HARDWARE: SILVER PLATED COPPER ALLOY

2. ELECTRICAL:

- 2.1 FREQUENCY (MAX): 500 MHz
- 2.2 IMPEDANCE: NON-CONSTANT

3. PANEL THICKNESS (MAX): .160

4. PANEL NUT TORQUE (MAX): 35 IN LBS

	Model No:	M49142/09-00XX	Title: TROMPETER	
	RoHS2	2015/863/EU	Cage Code	14949
<small>NOTICE: The information in this drawing is PROPRIETARY and must not be used without the permission of Cinch Connectivity Solutions. It may contain data whose export is restricted. Verify status prior to exporting.</small>	UNLESS OTHERWISE SPECIFIED UNITS: INCH	3RD ANGLE PROJECTION	ENGINEER:	C. MONAHAN
INTERPRET DRAWING IN ACCORDANCE WITH ASME Y14.5-2018	.XX ±.02 .XXX ±.010 ANGLES ±2°	Date:	8/2/2022	Drawing No. C_3-0333
	Size B	DO NOT SCALE DRAWING	Workmanship Std. TFS-4	REV. U
				Sheet 1 OF 1