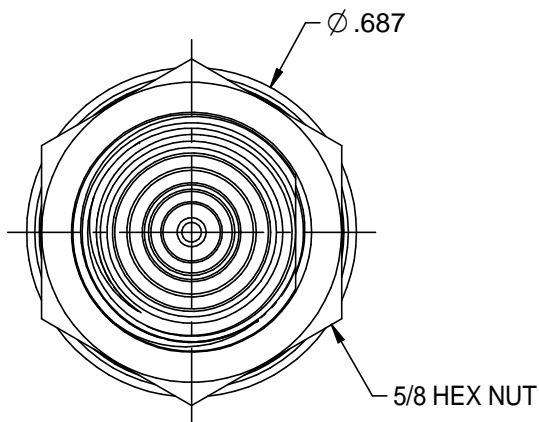
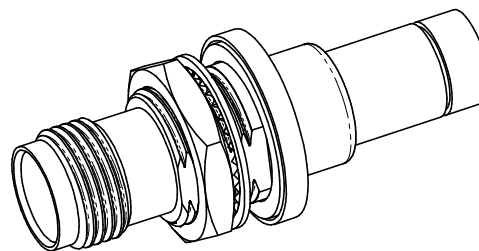
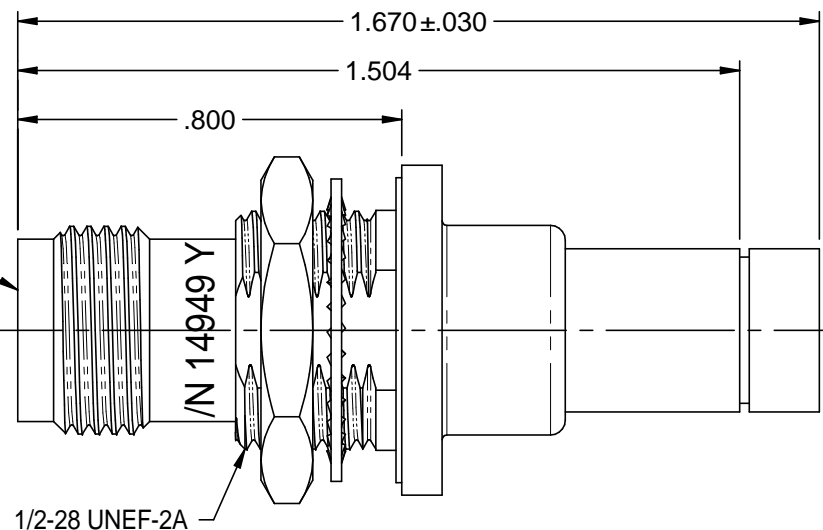


TABLE 1				
MILITARY PART NO.	MILITARY CABLE NO.	NSN	TROMPETER MODEL NO.	ASSEMBLE PER
M49142/09-0016	M17/45-RG108	-	3-0341-1	TAI-206
M49142/09-0017	M17/176-00002	5935015084556	3-0341-2	

REV	ECO	DATE
B	55164	9/5/2014



TRT INTERFACE  
PER MIL-STD-348  
FIGURE 202-2



3-0341-1 SHOWN

NOTES: UNLESS OTHERWISE SPECIFIED.

1. MATERIAL & FINISH:

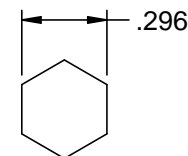
- 1.1 BODY, CRIMP FERRULE, CRIMP SLEEVE & INSERT: SILVER PLATED BRASS
- 1.2 INSULATOR: PTFE (TEFLON)
- 1.3 INTERMEDIATE CONTACT: GOLD PLATED BRASS
- 1.4 DIELECTRIC: PTFE (TEFLON)
- 1.5 CENTER CONTACT: GOLD PLATED BERYLLIUM COPPER
- 1.6 GASKET: SILICONE RUBBER
- 1.7 MOUNTING HARDWARE: SILVER PLATER BRASS ALLOY

2. ELECTRICAL:

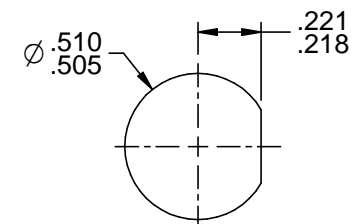
- 2.1 FREQUENCY (MAX): 500 MHz
- 2.2 IMPEDANCE: NON-CONSISTENT

3. PANEL THICKNESS (MAX): .109

4. PANEL NUT TORQUE (MAX): 35 IN LBS



RECOMMENDED  
HEX CRIMP



RECOMMENDED  
PANEL CUTOUT

<p>This PROPRIETARY Document is property of Cinch Connectivity Solutions. It is confidential in nature, non-transferable, and issued with the clear understanding that it is not to be copied without permission and is returnable upon demand.</p> <p>INTERPRET DRAWING IN ACCORDANCE WITH ASME Y14.5-2009.</p>	Model No.	3-0341-X	<b>TROMPETER</b>			
	Cage Code	14949			Title:	M49142/09 TOOL CRIMP TRT JACK
	RoHS2	2011/65/EU	3RD ANGLE PROJECTION	Drawing No.	C_3-0341	
	UNLESS OTHERWISE SPECIFIED: UNITS: INCH	.XX ± .02 .XXX ± .005 ANGLES ± 2°	Drawn by: C. WALLACE	Rev.	B	
	Date:	9/10/2014	Size A	DO NOT SCALE DRAWING	Workmanship Std: TFS-4	Sheet 1 of 1