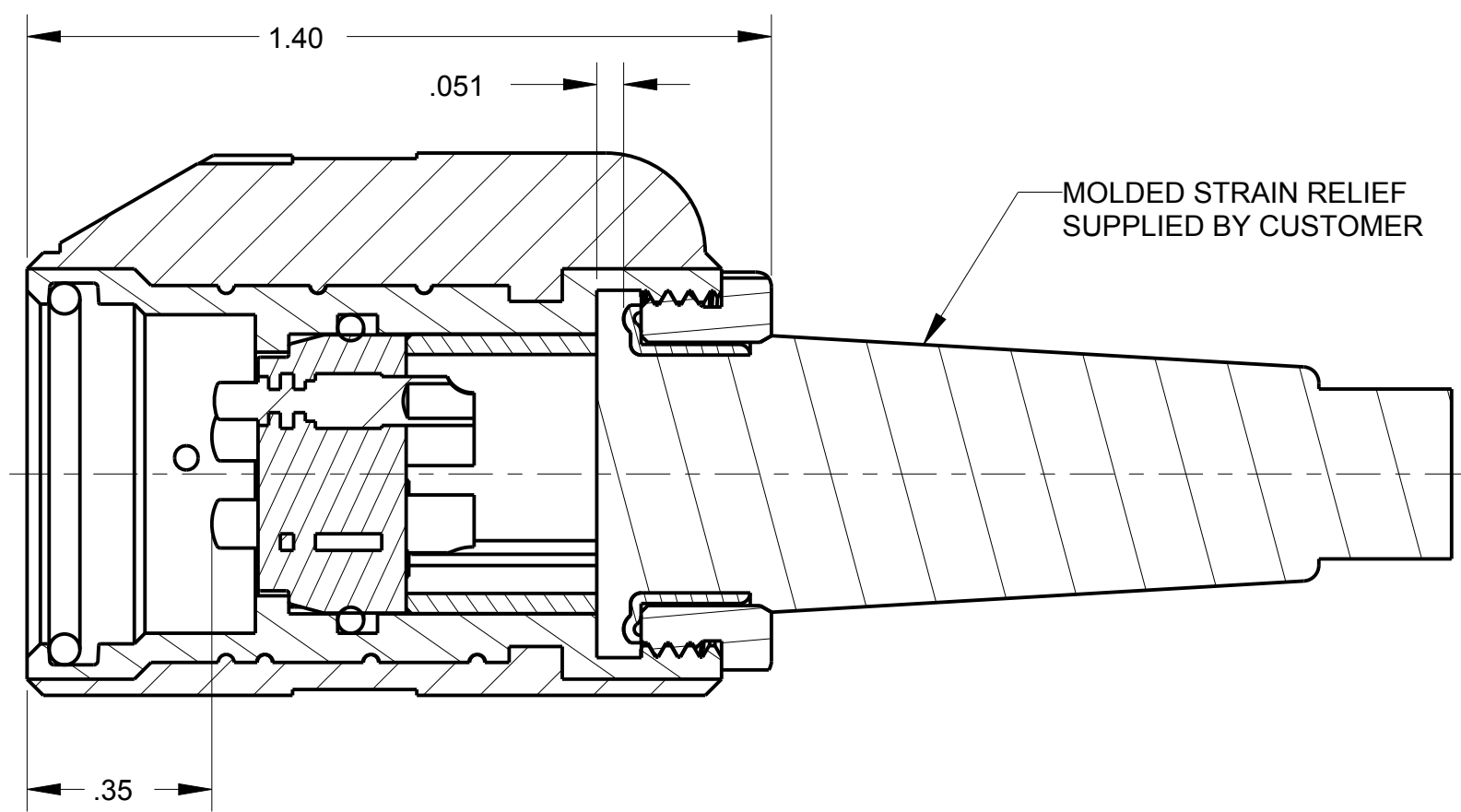
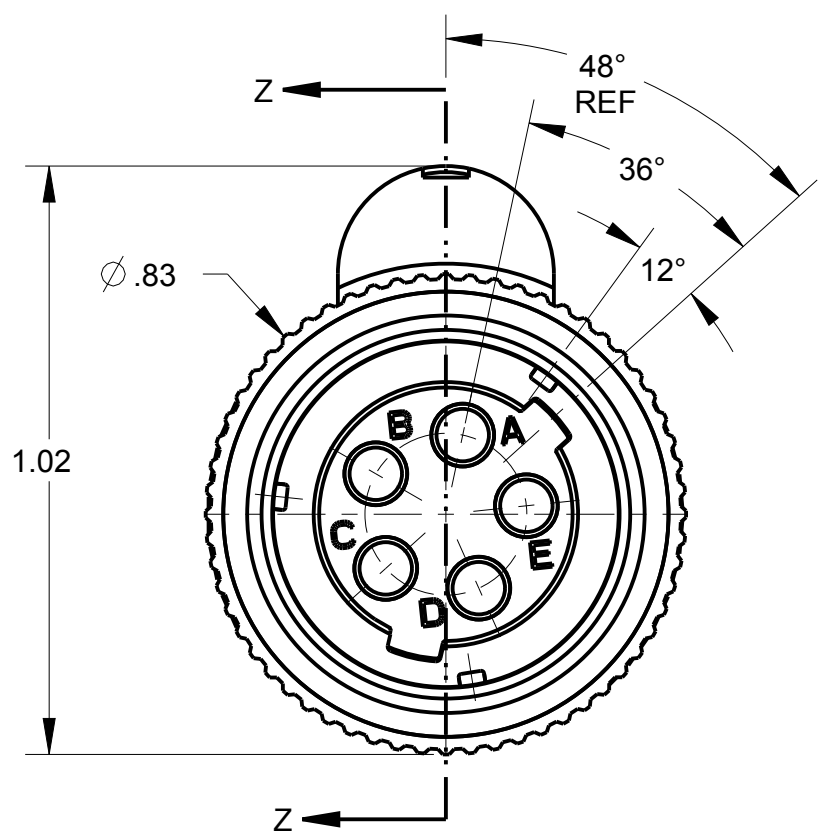
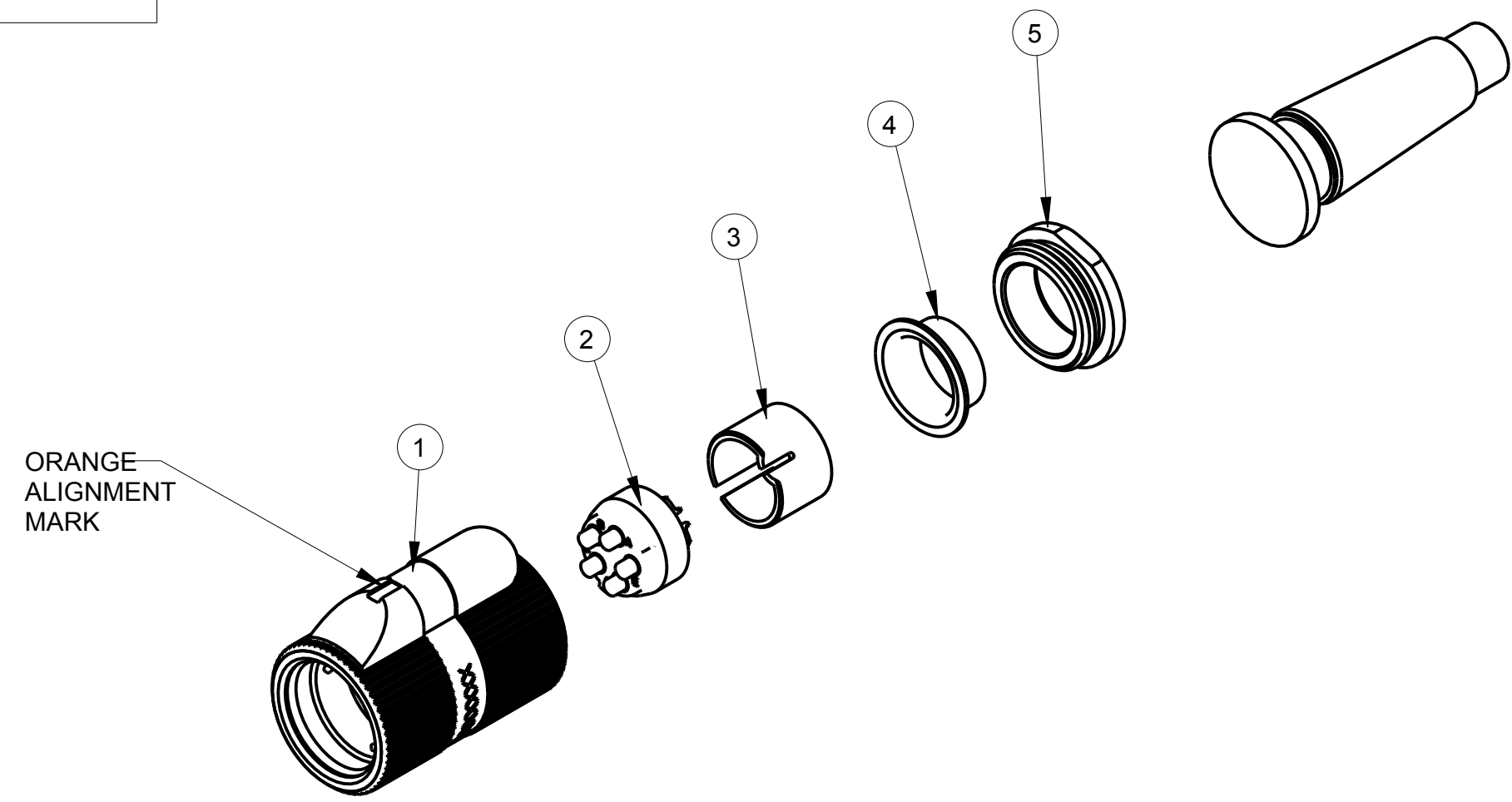


ITEM #	PART #	QTY	DESCRIPTION	MATERIAL
1	SEE TABLE #1	1	SHELL ASS'Y	GLASS FILLED NYLON & 303 SS
2	AP-145-6	1	INSERT ASS'Y	DIALLYPHTHALATE, TYPE SDGF & GOLD PLATED BRASS
3	AP-105-5	1	STRAIN RELIEF	NYLON
4	AP-105-6	1	FERRULE	STAINLESS STEEL
5	AP-105-8	1	NUT CLAMP	NYLON, BLACK PER MIL-P-17091

C AP-165-CP

TABLE #1			
AUDIO PLUG #	MILITARY PART #	SHELL ASS'Y	Ø CABLE
AP-165/7-1	M55116/7-1	AP-165-1	Ø .165 ± .010
AP-165/7-2	M55116/7-2	AP-165-2	Ø .228 ± .010
AP-165/7-3	M55116/7-3	AP-165-3	Ø .250 ± .010
AP-165/7-4	M55116/7-4	AP-165-4	Ø .290 ± .010
AP-165/7-5	M55116/7-5	AP-165-5	Ø .320 ± .010



SECTION Z-Z

NOTES:
1) UNLESS OTHERWISE SPECIFIED, CONNECTOR MEETS ALL GENERAL REQUIREMENTS & SPECIFICATIONS OF MIL-C-55116

THIS DOCUMENT CONTAINS PROPRIETARY INFORMATION OF NEXUS, INCORPORATED AND SUCH INFORMATION MAY NOT BE DISCLOSED TO OTHERS FOR ANY PURPOSE OR USED FOR ANY PURPOSE WITHOUT THE WRITTEN CONSENT OF NEXUS.

				DWN.BY	MNF	DATE	2/4/97	MATERIAL			
				CHECKED BY	L SMITH	DATE	9/9/97	FINISH			
				APPR.BY	L SMITH	DATE	9/9/97	WEIGHT	SCALE = 1.00 :1		
C	DEL: 12° ; 36° , ADD: 36° ; 48° REF; AP-165/7-2; AP-165/7-5	226	8/31 2015	HR					NEXUS STAMFORD, CONN		
B	ADD P/N'S IN P/L	101	2/25 2011	HR							
A	REVISED & REDRAWN ON CAD	0259	2/24 1997	LS							
				LET.	REVISION	CN #	DATE	CHK	UNLESS OTHERWISE SPECIFIED DIMENSIONS ARE IN INCHES & OR (mm) TOLERANCES: DECIMAL: ±.XX(X.X) ±.XXX(X.XX) ±.XXXX(X.XXX) ±.0X(0.X) ±.00X(0.0X) ±.000X(0.0XX) FRACTION: ±X/XX ±.X°	TITLE AUDIO PLUG	
								DO NOT SCALE DWG.	SHEET 1 OF 1	SIZE C	DWG. NO. AP-165-CP