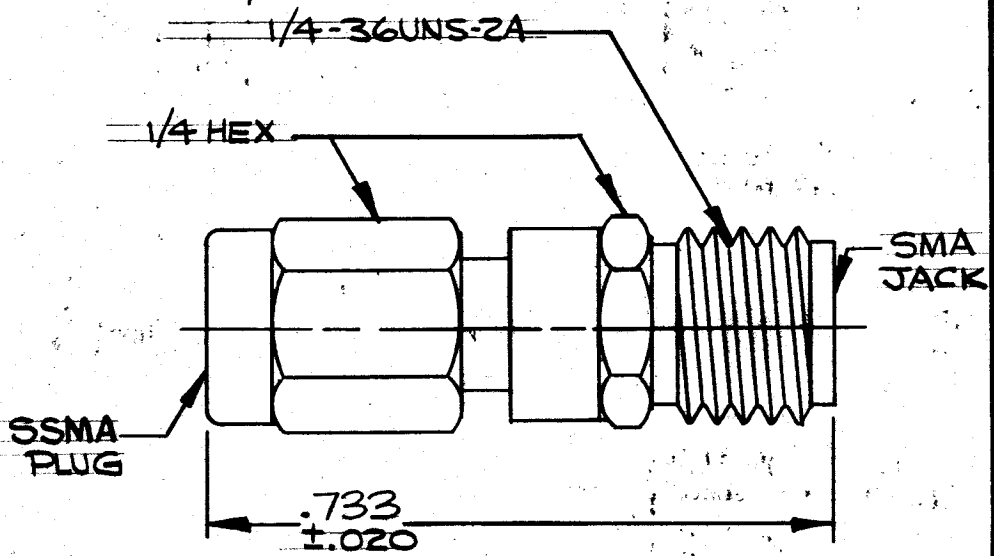


SFT150-6401

NOTES

1. **MATING:**  
Interface dimensions per Solitron/Microwave MD-154, SSMA (40GHz) and MD-158, SMA (40GHz).
2. **MATERIALS:**  
Body and  
Coupling Nut: \_\_\_\_\_ Stainless Steel per AMS-5640, Type 303, Cond. A.  
Lock Ring & Contact: \_\_\_\_\_ Beryllium Copper per QQ-C-530, Cond. H.T., Alloy 173.  
Insulator: \_\_\_\_\_ Teflon per Mil-P-19468 and L-P-403, Type I.  
Gasket: \_\_\_\_\_ Silicone Rubber per ZZ-R-765, Class IIB, Grade 50-60.
3. **FINISH:**  
Body and  
Coupling Nut: \_\_\_\_\_ Passivate per QQ-P-35A, Type I.  
Contact: \_\_\_\_\_ Gold per Mil-G-45204, Type II, Grade C, Class 2; over Copper per Mil-C-14550, Class 4.
4. Center Contact epoxy captivated.
5. Insulator mechanically captivated.



SYM	DESCRIPTION	DATE	APPR.
-	REL. F- 8584	10/81	DGG
A	REV. F- 8845	3/82	DGG

UNLESS OTHERWISE SPECIFIED  
 1. ALL DIMENSIONS ARE AFTER PLATING  
 2. BREAK ALL CORNERS & EDGES .005 R MAX.  
 3. CHAMFER 1ST & LAST THREADS 45°  
 4. SURFACE ROUGHNESS 63 ✓ MIL-STD-10  
 5. DIAMETERS ON COMMON CENTERS TO BE CONCENTRIC WITHIN \_\_\_\_\_ T.I.R.  
 6. REMOVE ALL BURRS

DIMENSIONS ARE IN INCHES  
 TOLERANCES

DECIMALS	FRACTIONAL	ANGULAR
X ± .030		X' ± 1'0"
.XX ± .015	± 1/64	
.XXX ± .005		X'X' ± 15'

DRAWN   -1   DATE 10-1-81  
 CHECKED \_\_\_\_\_ DATE \_\_\_\_\_  
 APPROVED DGG DATE 10/2/81

**SOLITRON/MICROWAVE**  
 PORT SALERNO, FLORIDA

MATERIAL \_\_\_\_\_

FINISH \_\_\_\_\_ AREA \_\_\_\_\_

SCALE \_\_\_\_\_ CODE IDENT. NO. 95077 SIZE A

REF. ENGINEERING DATA DRAWING

TITLE SMA (40 GHz) JACK  
SSMA (40 GHz) PLUG  
ADAPTER

DRAWING NO. SFT150-6401  
SHT 1 OF 2

## S/M DESIGN STANDARDS

DRAWING NO.  
SF1150-6401

## REQUIREMENTS

## RATINGS

Nominal Impedance (ohms)	50	
Frequency Range (ghz)	DC-40GHZ	
Voltage Rating (max. vrms)	250	
Temperature Rating (degrees centigrade)	-65° to +165°	
VSWR (max.)	1.04 + .007 xFGHZ	
Insertion Loss (dB max.)	.05 x $\sqrt{FGHZ}$	
RF Leakage (min. dB down)	100 dB-FGHZ	
RF High Potential (max. vrms)	500 at 5MHZ	
Dielectric Withstanding Voltage (max. vrms)	750	
Insulation Resistance (min. megohms)	5000	
Contact Resistance:	SMA	SSMA
Center Contact (max. milliohms)	3.0	4.0
Outer Contact (max. milliohms)	2.0	1.0
Center Contact Axial Forces:	SMA	SSMA
Insertion (max. ounces)	48.0	N/A
Withdrawal (min. ounces)	2.0	
Connector Durability (min. cycles)	500	
Connector Engagement & Disengagement (max. inch lbs.)	2.0	

## REQUIREMENTS

## RATINGS

Vibration	MIL-STD-202 Method 204 Cond. D (20G's)
Shock	MIL-STD-202 Method 213 Cond. I (100G's)
Temperature Cycling	MIL-STD-202 Method 102 - Cond. C (-65°C to + 200°C)
Corrosion	MIL-STD-202 Method 101 Cond. B (48 Hrs.)
Moisture Resistance	MIL-STD-202 Method 106 Less Step 7b
Barometric Pressure (Altitude)	MIL-STD-202 Method 105 - Cond. C (70,000 ft) (190 vrms)
Captivation Center Contact (Min. Axial Force) (Min. Radial Torque)	6.0 lbs. 2 in. oz.

REMARKS: 1) Recommended Mating Torque: SMA 7-10 inch pounds  
SSMA 6-8 inch pounds

TITLE: SMA (40GHz) JACK, SSMA (40GHz)  
PLUG ADAPTER

**SOLITRON/MICROWAVE**  
PORT SALERNO, FLORIDA

SHT. 2 of 2

DRAWING NO.  
SF1150-6401

REV.  
A