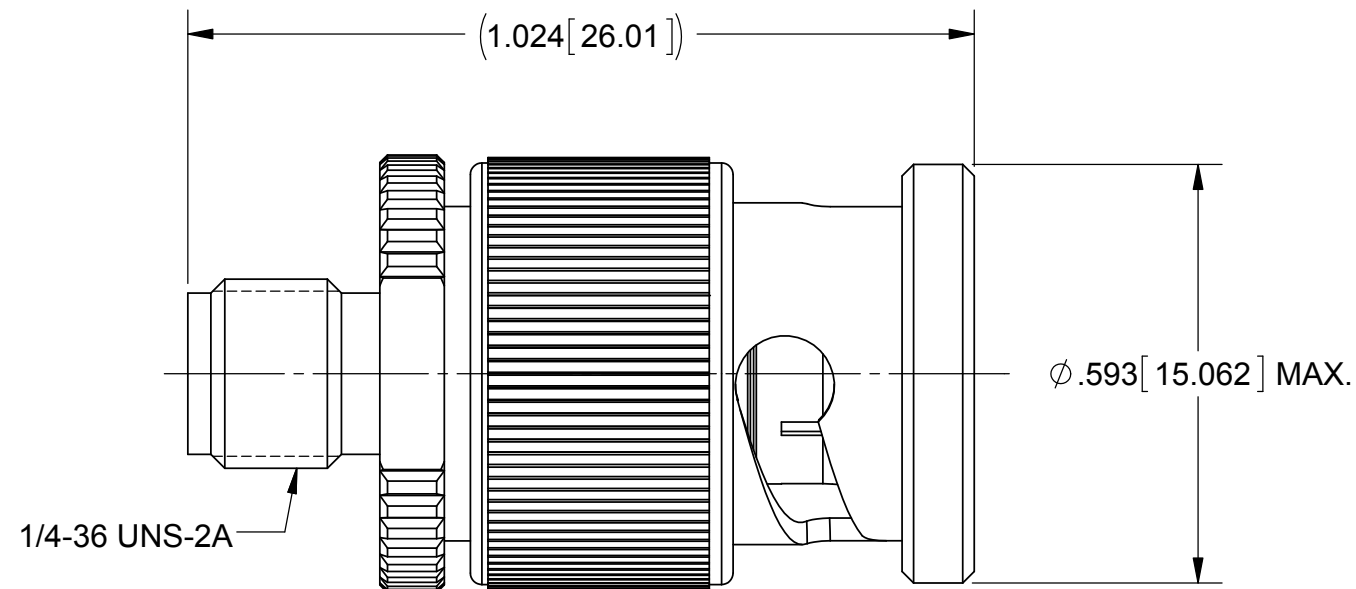
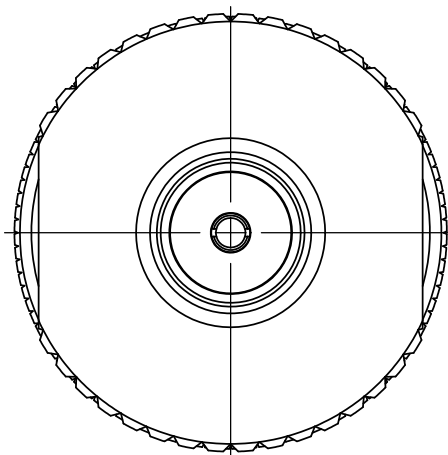
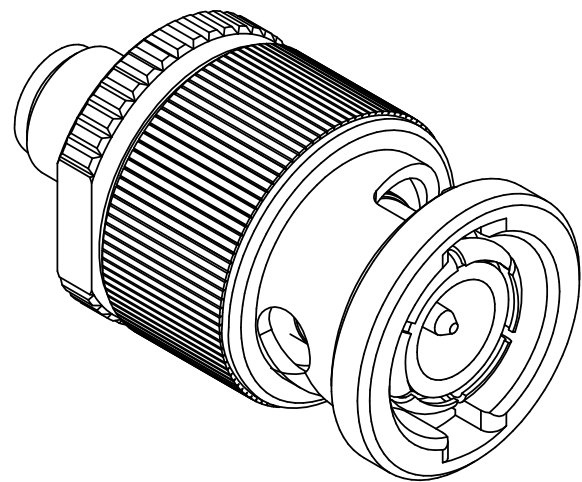


PRODUCT DATA DRAWING

| REVISION HISTORY | | | |
|------------------|-------------|-------|----------|
| REV | DESCRIPTION | DATE | APPROVED |
| B | DCN 41869 | 11/15 | DAL |
| | | | |



MATERIAL:

- BODY:** STAINLESS STEEL PER AMS-5640, ALLOY UNS S30300, TYPE 1
- CONTACTS:** BERYLLIUM COPPER PER ASTM B196, ALLOY No. UNS C17300, TD04
- BAYONET:** BRASS PER ASTM B16, ALLOY UNS No. C36000
- INSULATOR:** PTFE PER ASTM D1710, TYPE I, GRADE 1, CLASS B
- GASKET:** SILICONE RUBBER PER A-A-59588, CLASS 2B, GRADE 60/70

FINISH:

- BODY:** PASSIVATED PER AMS-2700
- CENTER CONTACT:** GOLD PER ASTM B488, TYPE II, CODE C, CLASS 1.27, OVER NICKEL PER AMS-QQ-N-290, CLASS 1, .00005" MIN.
- OUTER CONTACT:** GOLD PER ASTM B488, TYPE I, CODE C, CLASS 1.27, OVER COPPER PER AMS-2418, TYPE 1
- BAYONET:** NICKEL PER AMS-QQ-N-290, CLASS 1, GRADE G

PERFORMANCE:

- IMPEDANCE:** 50 OHMS
- FREQ. RANGE:** DC TO 4.0 GHz.
- VSWR:** 1.30:1 MAX. DC TO 4.0 GHz.

| | | | |
|---|--|--|--|
| MATERIAL: SEE NOTES | DIMENSIONS ARE IN INCHES TOLERANCES: FRACTIONAL: ±1/64 ANGULAR: X° ±1'0" X'X' ±15' | UNLESS OTHERWISE SPECIFIED 1) ALL DIMENSIONS ARE IN INCHES (MILLIMETERS) 2) ALL DIMENSIONS ARE AFTER PLATING. 3) BREAK CORNERS & EDGES .005 R. MAX. 4) CHAM. 1ST & LAST THREADS. 5) SURFACE ROUGHNESS 63-MIL-STD-10. 6) DIA.'S ON COMMON CENTERS TO BE CONCENTRIC WITHIN T.I.R. 7) REMOVE ALL BURRS | Amphenol 2400 Centrepark West Drive, Suite 100 West Palm Beach, FL 33409 |
| FINISH: SEE NOTES | DECIMAL: X ±.030 .XX ±.010 .XXX ±.005 | | |
| SURFACE AREA: N/A | INTERPRET DIMENSIONS AND TOLERANCES PER ASME Y14.5M - 1994 | DRAWN: JRG 01/16/98 CHECKED: STW 01/19/98 APPROVED: STW 01/19/98 | TITLE: SMA JACK TO BNC PLUG STRAIGHT ADAPTER |
| PROPRIETARY THE INFORMATION CONTAINED IN THIS DRAWING IS THE SOLE PROPERTY OF SV MICROWAVE, INC. ANY REPRODUCTION IN PART OR AS A WHOLE WITHOUT THE WRITTEN PERMISSION OF SV MICROWAVE, INC IS PROHIBITED. | THIRD ANGLE PROJECTION | | SIZE: B CAGE CODE: 95077 DWG. NO.: M55339/44-30001 |
| | | SCALE: 4:1 | SHEET 1 OF 1 |