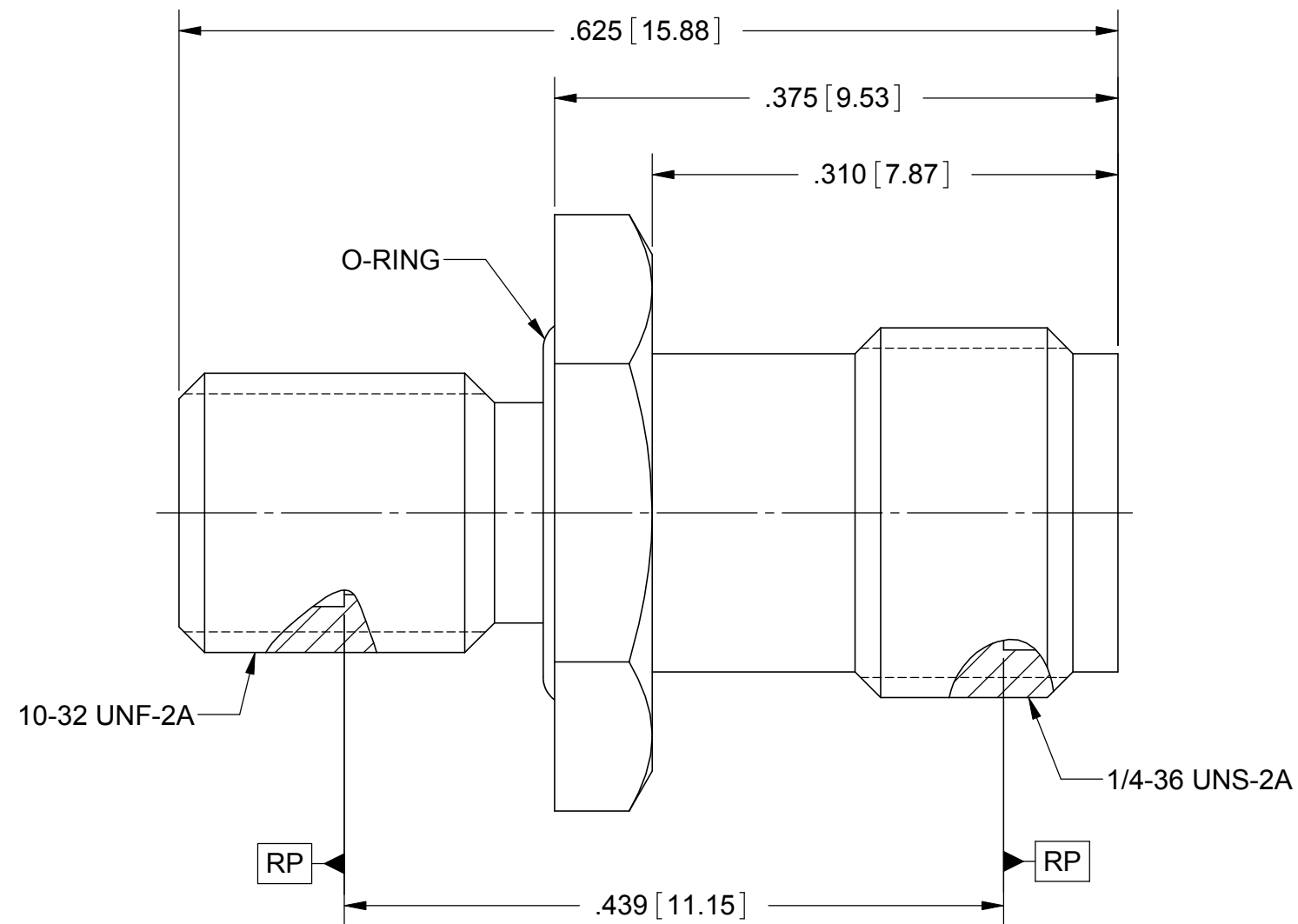
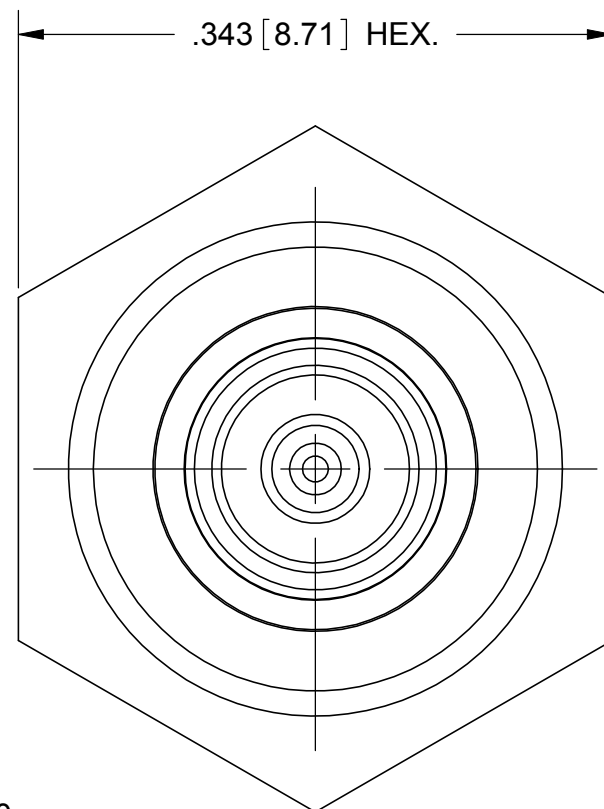


# PRODUCT DATA DRAWING

| REVISION HISTORY |             |       |          |
|------------------|-------------|-------|----------|
| REV              | DESCRIPTION | DATE  | APPROVED |
| -                | DCN 36549   | 03/09 | STW      |
| A                | DCN 37905   | 11/10 | STW      |



**MATERIAL:**

BODY: STAINLESS STEEL PER AMS-5640, ALLOY UNS S30300, TYPE 1

CONTACT: BERYLLIUM COPPER PER ASTM B196, ALLOY No. UNS C17300, TD04

INSULATOR: PTFE PER ASTM D1710, TYPE I, GRADE 1, CLASS B

O-RING: SILICONE RUBBER PER A-A-59588, CLASS 2B, GRADE 50/60

**FINISH:**

BODY: PASSIVATED PER AMS-2700.

CONTACT: GOLD PER ASTM B488, TYPE II, CODE C, CLASS 1.27, OVER NICKEL PER AMS-QQ-N-290, CLASS 1, .00005" MIN.

**PERFORMANCE:**

IMPEDANCE: 50 OHMS  
FREQ. RANGE: DC TO 18.0 GHz

|   |  |   |   |
|---|--|---|---|
| MATERIAL: SEE NOTES   | DIMENSIONS ARE IN INCHES TOLERANCES:<br>FRACTIONAL: ±1/64 ANGULAR: X° ±1'0"<br>X'X' ±15' | UNLESS OTHERWISE SPECIFIED<br>1) ALL DIMENSIONS ARE IN INCHES (MILLIMETERS)<br>2) ALL DIMENSIONS ARE AFTER PLATING<br>3) BREAK CORNERS & EDGES .005 R. MAX.<br>4) CHAM. 1ST & LAST THREADS.<br>5) SURFACE ROUGHNESS 63-MIL-STD-10.<br>6) DIA. 'S ON COMMON CENTERS TO BE CONCENTRIC WITHIN .005 T.I.R.<br>7) REMOVE ALL BURRS | <b>SV Microwave, Inc.</b><br>2400 Centrepark West Drive, Suite 100<br>West Palm Beach, FL 33409 |
| FINISH: SEE NOTES   | DECIMAL: X ±.030<br>.XX ±.010<br>.XXX ±.005  | INTERPRET DIMENSIONS AND TOLERANCES PER ASME Y14.5M - 1994  | TITLE: SMP LIMITED DETENT MALE TO SMA FEMALE PANEL MOUNT ADAPTER                                |
| SURFACE AREA: N/A   | THIRD ANGLE PROJECTION   | DRAWN: DAL 03/06/09   | SIZE: B CAGE CODE: 95077 DWG. NO. SF1112-6034   |
| PROPRIETARY<br>THE INFORMATION CONTAINED IN THIS DRAWING IS THE SOLE PROPERTY OF SV MICROWAVE, INC. ANY REPRODUCTION IN PART OR AS A WHOLE WITHOUT THE WRITTEN PERMISSION OF SV MICROWAVE, INC IS PROHIBITED. |  | CHECKED: STW 03/06/09   | SCALE: 9:1  |
|   |  | APPROVED: STW 03/06/09  | SHEET 1 OF 1  |