



## M9105

SHAFT SYSTEM WITH MAGNET FOR ACW / TCW RANGE



### Features

The M9105 series of magnet holders are designed to make mounting and alignment of the magnet to its sensor assembly easy to accomplish. They are especially well-suited for use with the following sensors:

- ACW absolute single-turn,
- TCW absolute multi-turn,

For more detailed information on each of these sensors refer to their specific data sheets.



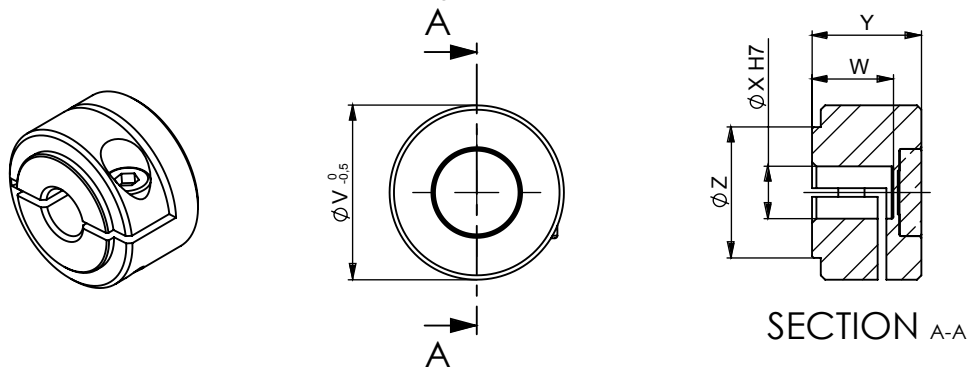
### DIMENSIONS

#### M9105/KXX (ALUMINUM)

KXX: Where XX is the shaft mounting diameter in mm. Standards are 06, 08, 10, 11, and 14 mm. i.e M9105/K10 mounts to a 10 mm shaft.

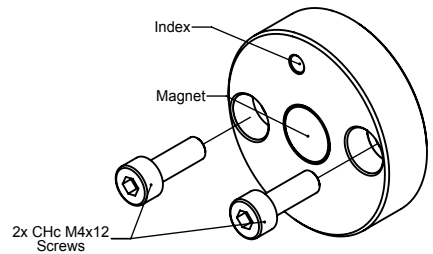
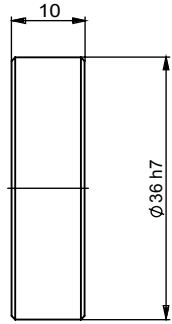
#### Female Magnet Support + Magnet 8810/013

Ordering reference: **M9105/Kxx**

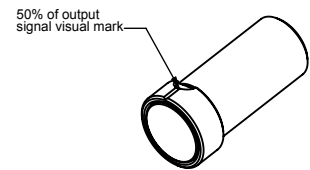
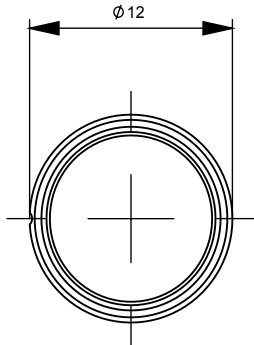


|          | M9105/K06 | M9105/K08 | M9105/K10 | M9105/K11 | M9105/K14 |
|----------|-----------|-----------|-----------|-----------|-----------|
| <b>W</b> | 6 H7      | 8 H7      | 10 H7     | 11 H7     | 14 H7     |
| <b>X</b> | 20        | 20        | 26        | 26        | 29        |
| <b>Y</b> | 12,5      | 12,5      | 14        | 14        | 14        |
| <b>Z</b> | 15        | 15        | 15        | 15        | 18        |

**Frontal magnet support + Magnet 8810/013**  
 Ordering p/n : **M9105/F26**



**Male magnet support + Magnet 8810/013**  
 Ordering p/n : **M9105/M10-01**



**Magnet**  
 Ordering p/n : **8810/013**

