



MICROCHIP

dsPIC33FJ12GP202

dsPIC33FJ12GP202 PIM Information Sheet

The dsPIC33FJ12GP202 PIM is designed to demonstrate the capabilities of the dsPIC33FJ12GP202 family of general purpose devices using the Explorer 16 Development Board and the PICtail™ Plus daughter boards.

The dsPIC33FJ12GP202 is a high-performance 16-bit digital signal controller within a small 28-pin 6x6 mm QFN package.

The dsPIC33FJ12GP202 is equipped with Peripheral Pin Select (PPS), which allows many of the digital peripherals to be remapped to use any number of pins on the device.

The PIM takes advantage of PPS by using zero ohm resistors to connect the I/O to the 100-pin Explorer 16 Development Board. Simply removing the zero ohm resistors and using the test points associated with each I/O pin (i.e., RP0, RP1, etc.), allows the designer to reroute the pin to any of the available pins on the Explorer 16 Development Board. This capability enables easier and faster design times.

Table 1 shows the mapping between the Explorer 16 functions and the device pins.

TABLE 1: 28-PIN TO 100-PIN PINOUT

Device Pin Number	dsPIC33FJ12GP202	PIM Pin Number	Functional Description
1	PGED1/AN2/RP0/CN4 RB0	79	EEPROM CS
2	PGEC1/AN3/RP1/CN5/RB1	10	EEPROM SCK
3	AN4/RP2/CN6/RB2	21	Temp Sensor
4	AN5/RP3/CN7/RB3	20	POT
5	Vss	15	
6	OSCI/CLKI/CN30/RA2	63	OSCI
7	OSCO/CLKO/CN29/RA3	64	OSCO
8	PGED3/SOSCI/RP4/CN1/RB4	27	Debug
9	PGEC3/SOSCO/T1CK/CN0/RA4	26	Debug
10	VDD	16	
11	ASDA1/RP5/CN27/RB5	49	U1RX
12	ASCL1/RP6/CN24/RB6	50	U1TX
13	INT0/RP7/CN23/RB7	83	SW3
14	TCK/SCL1/RP8/CN22/RB8	11	EEPROM SDI
15	TDO/SDA1/RP9/CN21/RB9	12	EEPROM SDO
16	Vss	36	
17	VCAP/VDDCORE	85	
18	TDI/RP10/CN16/RB10	39	U1RTS
19	TMS/RP11/CN15/RB11	40	U1CTS
20	AN9/RP12/CN14/RB12	17	LED D3
21	AN8/RP13/CN13/RB13	38	LED D4
22	AN7/RP14/CN12/RB14	58	LED D5
23	AN6/RP15/CN11/RB15	59	LED D6
24	AVss	31	
25	AVDD	30	
26	MCLR	13	Master Clear
27	PGED2/AN0/VREF+/CN2/RA0	84	SW6
28	PGEC2/AN1/VREF-/CN3/RA1		

dsPIC33FJ12GP202

FIGURE 1: 100-PIN HEADER SCHEMATIC

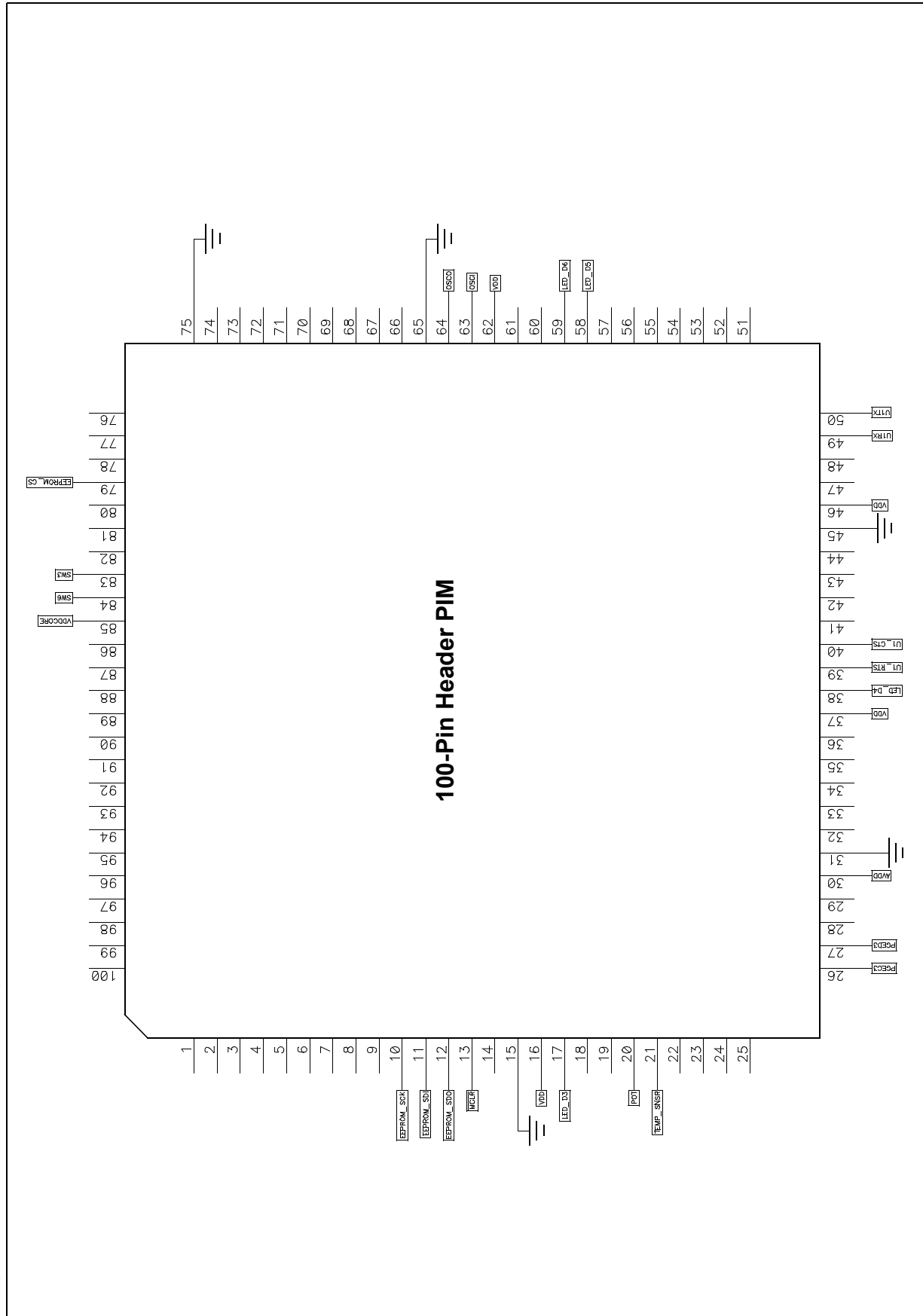
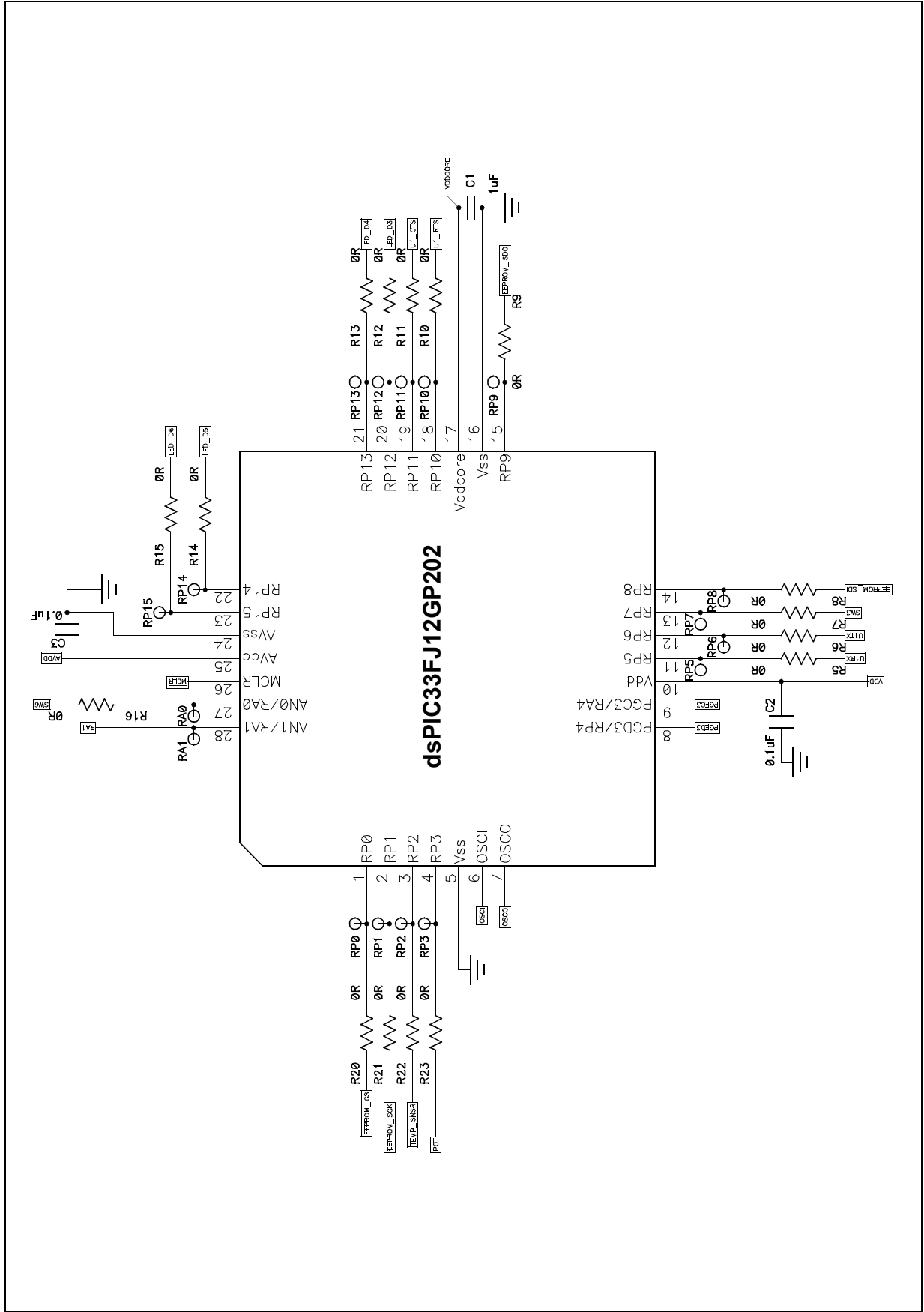


FIGURE 2: 28-PIN DEVICE SCHEMATIC



dsPIC33FJ12GP202

NOTES:

Note the following details of the code protection feature on Microchip devices:

- Microchip products meet the specification contained in their particular Microchip Data Sheet.
- Microchip believes that its family of products is one of the most secure families of its kind on the market today, when used in the intended manner and under normal conditions.
- There are dishonest and possibly illegal methods used to breach the code protection feature. All of these methods, to our knowledge, require using the Microchip products in a manner outside the operating specifications contained in Microchip's Data Sheets. Most likely, the person doing so is engaged in theft of intellectual property.
- Microchip is willing to work with the customer who is concerned about the integrity of their code.
- Neither Microchip nor any other semiconductor manufacturer can guarantee the security of their code. Code protection does not mean that we are guaranteeing the product as "unbreakable."

Code protection is constantly evolving. We at Microchip are committed to continuously improving the code protection features of our products. Attempts to break Microchip's code protection feature may be a violation of the Digital Millennium Copyright Act. If such acts allow unauthorized access to your software or other copyrighted work, you may have a right to sue for relief under that Act.

Information contained in this publication regarding device applications and the like is provided only for your convenience and may be superseded by updates. It is your responsibility to ensure that your application meets with your specifications. MICROCHIP MAKES NO REPRESENTATIONS OR WARRANTIES OF ANY KIND WHETHER EXPRESS OR IMPLIED, WRITTEN OR ORAL, STATUTORY OR OTHERWISE, RELATED TO THE INFORMATION, INCLUDING BUT NOT LIMITED TO ITS CONDITION, QUALITY, PERFORMANCE, MERCHANTABILITY OR FITNESS FOR PURPOSE. Microchip disclaims all liability arising from this information and its use. Use of Microchip devices in life support and/or safety applications is entirely at the buyer's risk, and the buyer agrees to defend, indemnify and hold harmless Microchip from any and all damages, claims, suits, or expenses resulting from such use. No licenses are conveyed, implicitly or otherwise, under any Microchip intellectual property rights.

Trademarks

The Microchip name and logo, the Microchip logo, Accuron, dsPIC, KEELOQ, KEELOQ logo, microID, MPLAB, PIC, PICmicro, PICSTART, PRO MATE, rPIC and SmartShunt are registered trademarks of Microchip Technology Incorporated in the U.S.A. and other countries.


AmpLab, FilterLab, Linear Active Thermistor, Migratable Memory, MXDEV, MXLAB, SEEVAL, SmartSensor and The Embedded Control Solutions Company are registered trademarks of Microchip Technology Incorporated in the U.S.A.

Analog-for-the-Digital Age, Application Maestro, CodeGuard, dsPICDEM, dsPICDEM.net, dsPICworks, dsSPEAK, ECAN, ECONOMONITOR, FanSense, FlexROM, fuzzyLAB, In-Circuit Serial Programming, ICSP, ICEPIC, Mindi, MiWi, MPASM, MPLAB Certified logo, MPLIB, MPLINK, PICkit, PICDEM, PICDEM.net, PICLAB, PICtail, PowerCal, PowerInfo, PowerMate, PowerTool, REAL ICE, rLAB, Select Mode, Smart Serial, SmartTel, Total Endurance, UNI/O, WiperLock and ZENA are trademarks of Microchip Technology Incorporated in the U.S.A. and other countries.

SQTP is a service mark of Microchip Technology Incorporated in the U.S.A.

All other trademarks mentioned herein are property of their respective companies.

© 2007, Microchip Technology Incorporated, Printed in the U.S.A., All Rights Reserved.

 Printed on recycled paper.

**QUALITY MANAGEMENT SYSTEM
CERTIFIED BY DNV
== ISO/TS 16949:2002 ==**

Microchip received ISO/TS-16949:2002 certification for its worldwide headquarters, design and wafer fabrication facilities in Chandler and Tempe, Arizona; Gresham, Oregon and design centers in California and India. The Company's quality system processes and procedures are for its PIC® MCUs and dsPIC® DSCs, KEELOQ® code hopping devices, Serial EEPROMs, microperipherals, nonvolatile memory and analog products. In addition, Microchip's quality system for the design and manufacture of development systems is ISO 9001:2000 certified.