

Features

- Reverse Voltage up to 3000 Volts
- 25 Ampere Current Rating
- Designed for HF, Multi-Throw Kilowatt Switches
- Low Loss, Low Distortion
- Rugged, Hermetically Sealed Packaging
- Convenient Solder Lug Attachment
- Non Magnetic to 3 Tesla for MRI Applications
- RoHS Compliant

Description

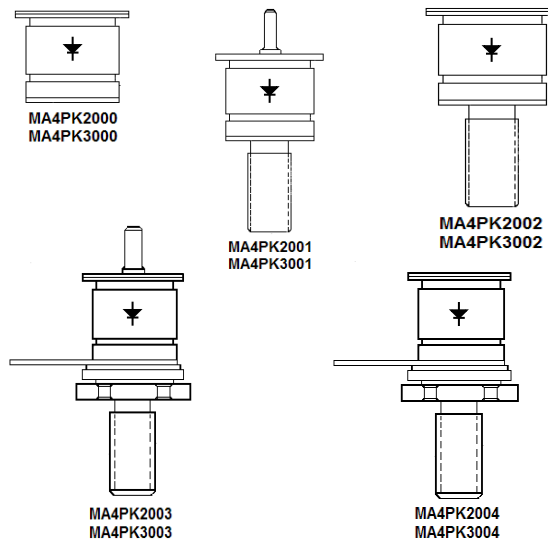
The KILOVOLT™ PIN diode series utilize modern semiconductor and packaging technology that assures low loss, low distortion, and reliable performance in multi-kilowatt switch applications at frequencies as low as 1 MHz. The PIN chips employed have low resistance, high power dissipation and very high stand-off voltage capability. KILOVOLT™ PIN diodes employ ultra high resistivity, long carrier lifetime, float zone material onto which P+ and N+ regions are deposited using an epitaxial process designed MACOM for high voltage PIN diodes. This process results in better preservation of the carrier lifetime and superior layer to layer interface when compared to a conventional double diffused process. The processing of the I-region width is tightly controlled using modern lapping techniques. KILOVOLT™ PIN diode chips utilize MACOMs' proprietary Cermachip™ glass passivation. The hard glass covers all exposed junction and intrinsic surfaces. This results in a hermetically sealed, passivated chip that has been used in many high reliability military and commercial programs.

Applications

The KILOVOLT™ PIN diode series is designed for use as high power switching elements in multi-kilowatt HF and VHF applications. These PIN diodes have been extensively characterized for their electrical and thermal properties to assure predictable, low loss, high power handling and low distortion performance. Some typical applications are as follows:

- Filter Switches
- Antenna Couplers
- Power Amplifier By-pass Switches
- MRI Switches

Package Outlines



Packaging

The metal-ceramic packages were developed specifically for the KILOVOLT™ PIN diode series. The packages are designed to withstand extremely high voltages and currents. The packages meet the environmental requirements of MIL-STD-202 and MIL-STD750. The PIN diode chip is bonded to the package and the anode strap is bonded to the chip at temperatures exceeding 300°C. The anode strap has a unique, large cross-sectional area allowing for high current carrying capability. The packages are sealed using a projection welding technique in an inert environment. KILOVOLT™ PIN diodes are available with a solder lug on the anode electrode to allow for a convenient and reliable wrap-around wire connection.

Diode Part Numbers & Package Style

| 2000 V | 3000 V | Package Style |
|-----------|-----------|--------------------------------------|
| MA4PK2000 | MA4PK3000 | Pill |
| MA4PK2001 | MA4PK3001 | Threaded Stud & Solder Lug |
| MA4PK2002 | MA4PK3002 | Threaded Stud Only |
| MA4PK2003 | MA4PK3003 | Insulated Threaded Stud & Solder Lug |
| MA4PK2004 | MA4PK3004 | Insulated Threaded Stud Only |

Electrical Specifications @ T_A = 25°C

| Parameter | Test Conditions | MA4PK2000 Series | MA4PK3000 Series |
|--|-----------------------------|----------------------------------|----------------------------------|
| Reverse Voltage (Max.) V _R | 10 μA | 2000 Volts | 3000 Volts |
| Series Resistance (Max) R _S | F = 4 MHz, I = 0.5 A | 0.20 Ω | 0.25 Ω |
| Series Resistance (Typ.) R _S | F = 1.0 -100 MHz, I = 0.5 A | 0.10 Ω | 0.15 Ω |
| Total Capacitance (Max) C _T | F = 1 MHz, V = 100 V | 3.2 pF | 4.0 pF |
| Parallel Resistance (Typ.) R _P | F =100 MHz, V = 0 V | 5 KΩ | 10 KΩ |
| Carrier Lifetime (Min.) T _L | I _F = 10 mA | 30 μs | 65 μs |
| Forward Voltage (Max.) V _F | I _F = 1 A | 1.2 V | 1.2 V |
| Thermal Resistance (Max.) Ø | — | 3°C/W (Stud) 4°C/W (Ins Stud) | 2°C/W (Stud) 3°C/W (Ins Stud) |
| I-Region Width (Nom.) | — | 200 μm | 325 μm |

Absolute Maximum Ratings

| Parameter | Absolute Maximum |
|---------------------------------|------------------|
| Operating & Storage Temperature | -65°C to +175°C |
| Installation Temperature | 250°C/30 Seconds |
| Instantaneous Reverse Voltage | Voltage Rating |
| Forward Current (RF & DC) | 25 A |

Maximum Power Dissipation @ T_C = 25°C

| Part # | Absolute Maximum |
|------------------------|------------------|
| MA4PK2001 MA4PK2002 | 50.0 W |
| MA4PK2003 MA4PK2004 | 37.5 W |
| MA4PK3001 MA4PK3002 | 75.0 W |
| MA4PK3003 MA4PK3004 | 50.0 W |

Handling Procedures

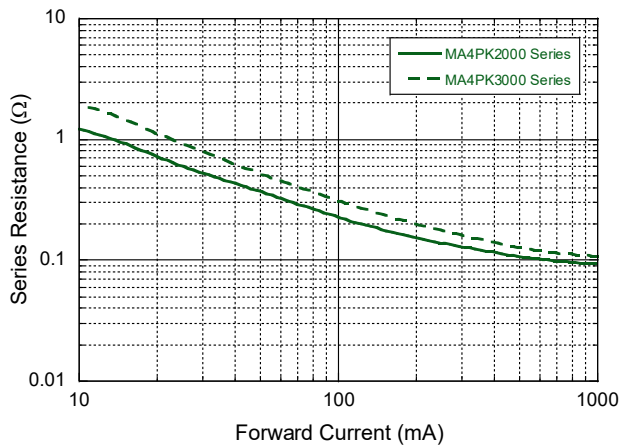
Please observe the following precautions to avoid damage:

Static Sensitivity

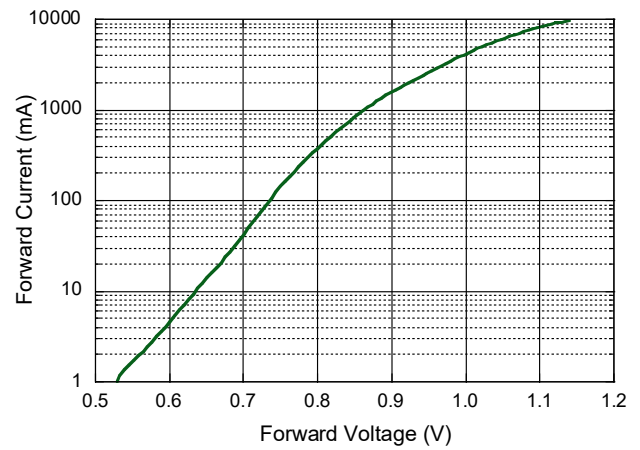
These electronic devices are sensitive to electrostatic discharge (ESD) and can be damaged by static electricity. Proper ESD control techniques should be used when handling these Class 1C, HBM devices.

Typical Performance Curves @ +25°C

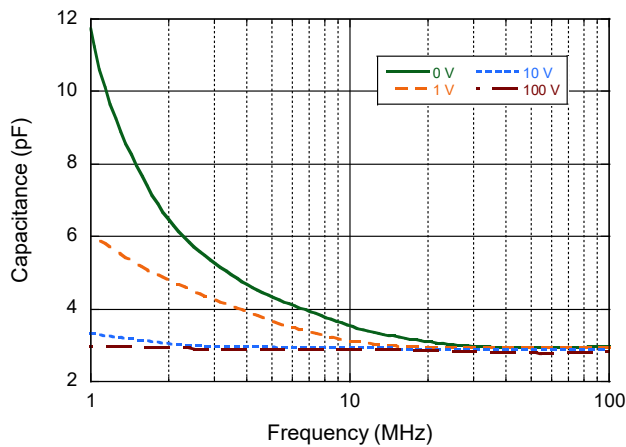
Series Resistance vs. Current @ 100 MHz
 (MA4PK2000 & MA4PK3000 Series)



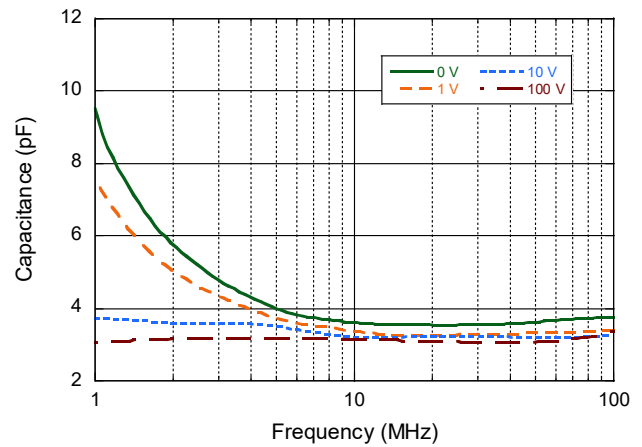
Forward Voltage vs. Forward Current
 (MA4PK2000 & MA4PK3000 Series)



Capacitance vs. Frequency & Reverse Voltage
 (MA4PK2000 Series)

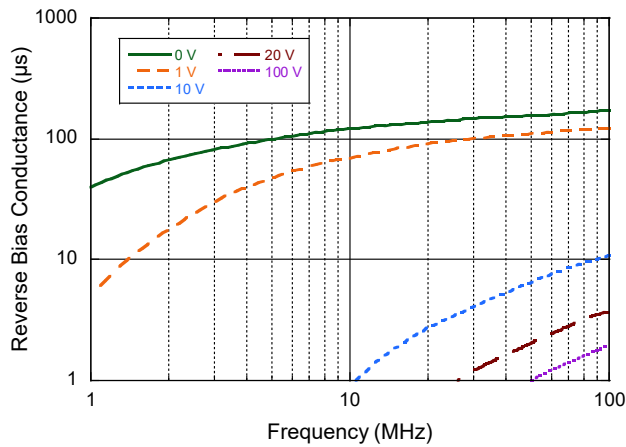


Capacitance vs. Frequency & Reverse Voltage
 (MA4PK3000 Series)

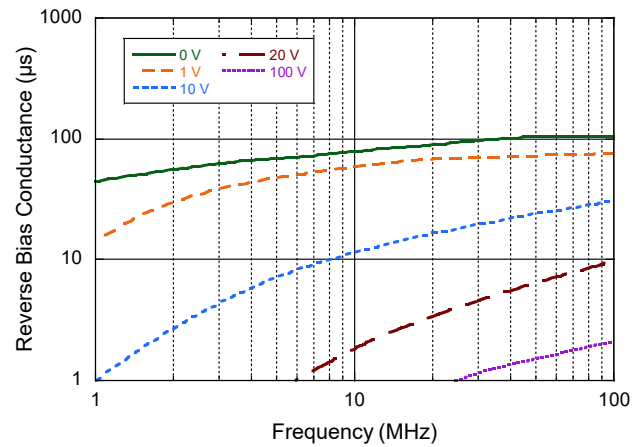


Typical Performance Curves @ +25°C

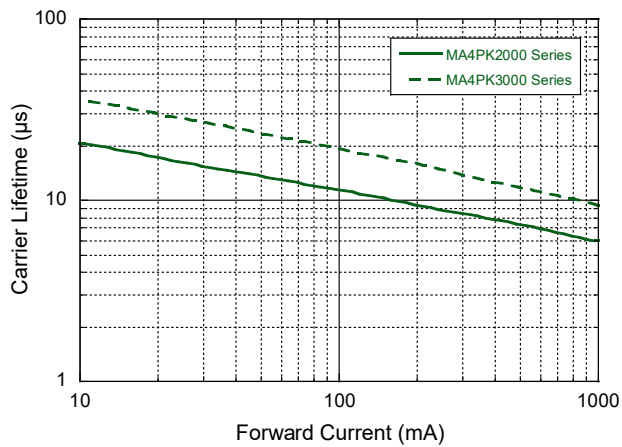
Conductance vs. Frequency & Reverse Voltage
(MA4PK2000 Series)



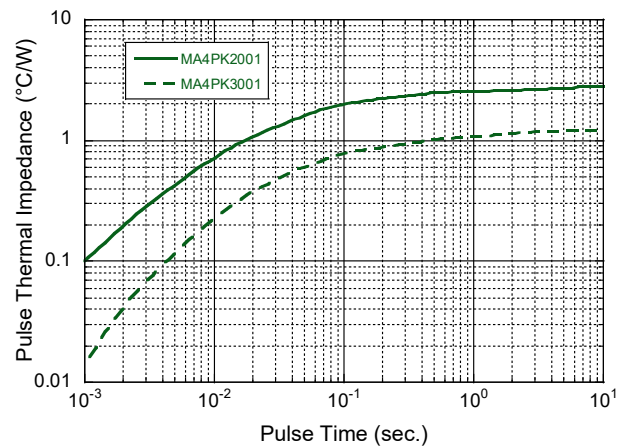
Conductance vs. Frequency & Reverse Voltage
(MA4PK3000 Series)



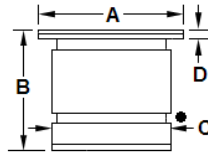
Carrier Lifetime vs. Forward Current



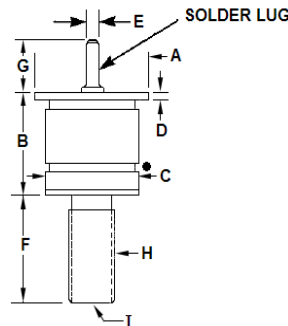
Pulsed Thermal Resistance °C/W



Case Styles (Black Dot Denotes Cathode)

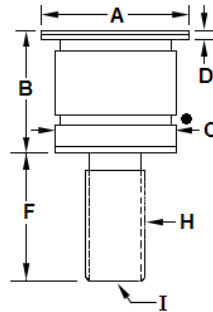


| DIM. | MA4PK2000 Case Style 1027 | | | | MA4PK3000 Case Style 1073 | | | |
|------|------------------------------|-------|-----------------------|------|------------------------------|-------|-----------------------|-------|
| | Inches | | Millimeters | | Inches | | Millimeters | |
| | Min. | Max. | Min. | Max. | Min. | Max. | Min. | Max. |
| A | 0.304 | 0.316 | 7.72 | 8.02 | 0.468 | 0.485 | 11.90 | 12.30 |
| B | 0.254 | 0.270 | 6.45 | 6.86 | 0.387 | 0.411 | 9.83 | 10.40 |
| C | 0.245 | 0.255 | 6.22 | 6.48 | 0.390 | 0.400 | 9.90 | 10.10 |
| D | 0.023 | 0.031 | 0.58 | 0.79 | 0.028 | 0.042 | 0.71 | 1.06 |
| | C _P = 0.45 pF | | L _S = 2 nH | | C _P = 0.75 pF | | L _S = 3 nH | |



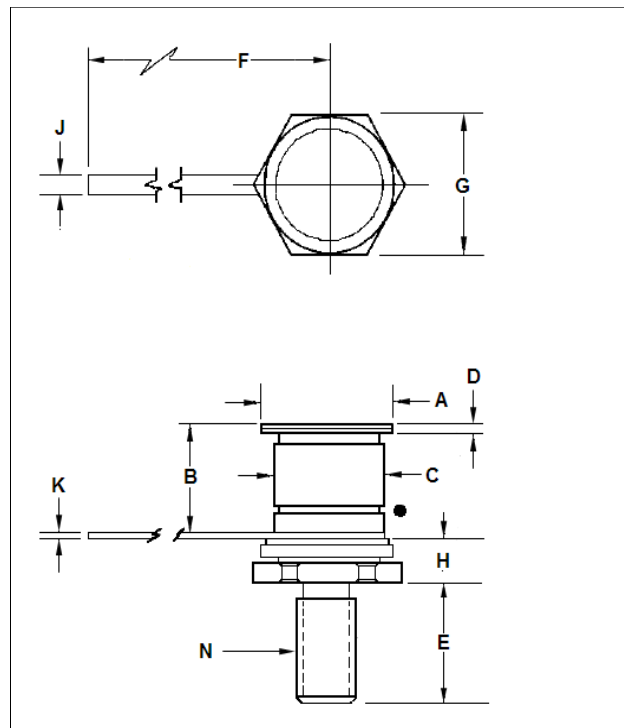
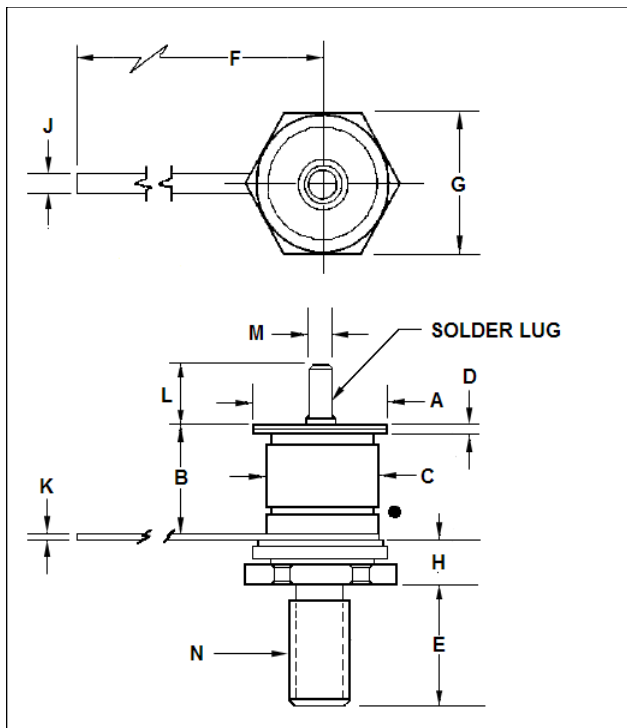
| DIM. | MA4PK2001 Case Style 1082 | | | | MA4PK3001 Case Style 1084 | | | |
|------|------------------------------|-------|-----------------------|------|------------------------------|-------|-----------------------|-------|
| | Inches | | Millimeters | | Inches | | Millimeters | |
| | Min. | Max. | Min. | Max. | Min. | Max. | Min. | Max. |
| A | 0.304 | 0.316 | 7.72 | 8.02 | 0.468 | 0.485 | 11.90 | 12.30 |
| B | 0.286 | 0.292 | 7.26 | 7.42 | 0.387 | 0.411 | 9.83 | 10.40 |
| C | 0.245 | 0.255 | 6.22 | 6.48 | 0.390 | 0.400 | 9.90 | 10.10 |
| D | 0.023 | 0.031 | 0.58 | 0.79 | 0.028 | 0.042 | 0.71 | 1.06 |
| E | 0.060 | 0.065 | 1.52 | 1.65 | 0.060 | 0.065 | 1.52 | 1.65 |
| F | 0.281 | 0.305 | 7.14 | 7.75 | 0.425 | 0.445 | 10.80 | 11.30 |
| G | 0.190 | 0.205 | 4.83 | 5.21 | 0.190 | 0.205 | 4.83 | 5.21 |
| H | 6-40 UNF-3A | | | | 10-32 UNF-2A | | | |
| I | 0.072 SPLINE X 0.070 DP | | | | 0.50 SLOT X 0.060 DP | | | |
| | C _P = 0.45 pF | | L _S = 2 nH | | C _P = 0.75 pF | | L _S = 3 nH | |

Case Styles (Black Dot Denotes Cathode)



| DIM. | MA4PK2002 Case Style 1048 | | | | MA4PK3002 Case Style 1074 | | | |
|------|------------------------------|-------|-----------------------|------|------------------------------|-------|-----------------------|-------|
| | Inches | | Millimeters | | Inches | | Millimeters | |
| | Min. | Max. | Min. | Max. | Min. | Max. | Min. | Max. |
| A | 0.304 | 0.316 | 7.72 | 8.02 | 0.468 | 0.485 | 11.90 | 12.30 |
| B | 0.286 | 0.292 | 7.26 | 7.42 | 0.387 | 0.411 | 9.83 | 10.40 |
| C | 0.245 | 0.255 | 6.22 | 6.48 | 0.390 | 0.400 | 9.90 | 10.10 |
| D | 0.023 | 0.031 | 0.58 | 0.79 | 0.028 | 0.042 | 0.71 | 1.06 |
| E | 0.060 | 0.065 | 1.52 | 1.65 | 0.060 | 0.065 | 1.52 | 1.65 |
| F | 0.281 | 0.305 | 7.14 | 7.75 | 0.425 | 0.445 | 10.80 | 11.30 |
| H | 6-40 UNF-3A | | | | 10-32 UNF-2A | | | |
| I | 0.072 SPLINE X 0.070 DP | | | | 0.50 SLOT X 0.060 DP | | | |
| | C _P = 0.45 pF | | L _S = 2 nH | | C _P = 0.75 pF | | L _S = 3 nH | |

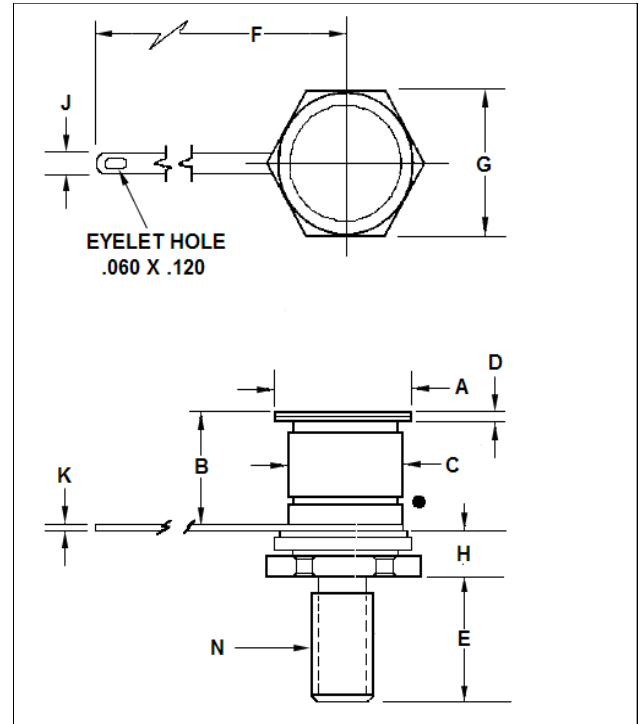
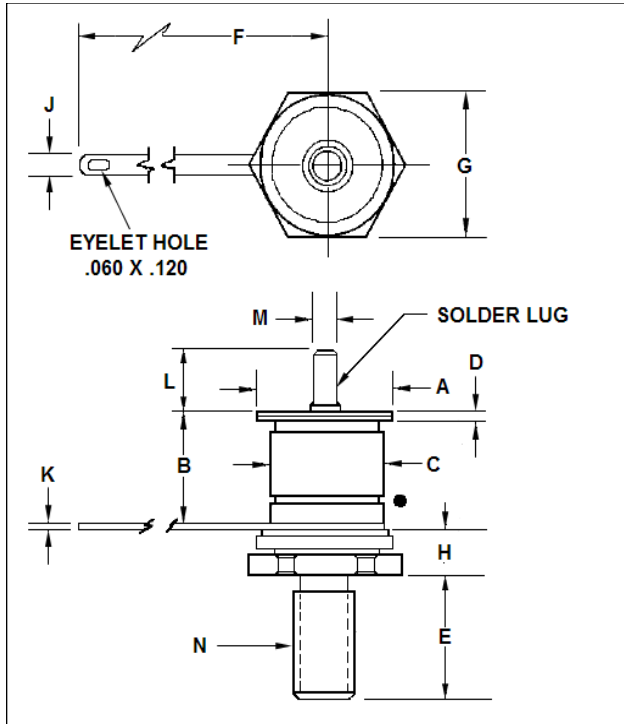
Case Styles (Black Dot Denotes Cathode)



| MA4PK2003 Case Style 1080 | | | | |
|------------------------------|-------------|--------------------------|-------------|-----------------------|
| Dim. | Inches | | Millimeters | |
| | Min. | Max. | Min. | Max. |
| A | 0.304 | 0.316 | 7.72 | 8.02 |
| B | 0.254 | 0.270 | 6.45 | 6.86 |
| C | 0.245 | 0.255 | 6.22 | 6.48 |
| D | 0.023 | 0.031 | 0.58 | 0.79 |
| E | 0.221 | 0.252 | 5.61 | 6.40 |
| F | 0.780 | 0.790 | 19.8 | 20.1 |
| G | 0.245 | 0.255 | 6.22 | 6.48 |
| H | 0.128 | 0.137 | 3.25 | 3.48 |
| J | 0.120 | 0.130 | 3.05 | 3.30 |
| K | 0.007 | 0.009 | 0.18 | 0.23 |
| L | 0.190 | 0.205 | 4.83 | 5.21 |
| M | 0.060 | 0.065 | 1.52 | 1.65 |
| N | 6-32 UNF-3A | | | |
| C _{GND} = 1.1 pF | | C _P = 0.45 pF | | L _S = 2 nH |

| MA4PK2004 Case Style 1038 | | | | |
|------------------------------|-------------|--------------------------|-------------|-----------------------|
| Dim. | Inches | | Millimeters | |
| | Min. | Max. | Min. | Max. |
| A | 0.304 | 0.316 | 7.72 | 8.02 |
| B | 0.254 | 0.270 | 6.45 | 6.86 |
| C | 0.245 | 0.255 | 6.22 | 6.48 |
| D | 0.023 | 0.031 | 0.58 | 0.79 |
| E | 0.221 | 0.252 | 5.61 | 6.40 |
| F | 0.780 | 0.790 | 19.8 | 20.1 |
| G | 0.245 | 0.255 | 6.22 | 6.48 |
| H | 0.128 | 0.137 | 3.25 | 3.48 |
| J | 0.120 | 0.130 | 3.05 | 3.30 |
| K | 0.007 | 0.009 | 0.18 | 0.23 |
| N | 6-32 UNF-3A | | | |
| C _{GND} = 1.1 pF | | C _P = 0.45 pF | | L _S = 2 nH |

Case Styles (Black Dot Denotes Cathode)



| MA4PK3003 Case Style 1085 | | | | |
|------------------------------|--------------|---------------------------|-------------|-----------------------|
| Dim. | Inches | | Millimeters | |
| | Min. | Max. | Min. | Max. |
| A | 0.468 | 0.485 | 11.9 | 12.3 |
| B | 0.385 | 0.410 | 9.8 | 10.4 |
| C | 0.390 | 0.400 | 9.90 | 10.1 |
| D | 0.030 | 0.045 | 0.76 | 1.14 |
| E | 0.422 | 0.452 | 10.72 | 11.48 |
| F | 0.805 | 0.820 | 20.45 | 20.83 |
| G | 0.490 | 0.500 | 12.45 | 12.70 |
| H | 0.155 | 0.175 | 3.94 | 4.45 |
| J | 0.120 | 0.130 | 3.05 | 3.30 |
| K | 0.022 | 0.026 | 0.559 | 0.660 |
| L | 0.190 | 0.205 | 4.83 | 5.21 |
| M | 0.060 | 0.065 | 1.52 | 1.65 |
| N | 10-32 UNF-2A | | | |
| C _{GND} = 1.1 pF | | C _P = 0.475 pF | | L _S = 3 nH |

| MA4PK3004 Case Style 1075 | | | | |
|------------------------------|--------------|--------------------------|-------------|-----------------------|
| Dim. | Inches | | Millimeters | |
| | Min. | Max. | Min. | Max. |
| A | 0.468 | 0.485 | 11.9 | 12.3 |
| B | 0.385 | 0.410 | 9.8 | 10.4 |
| C | 0.390 | 0.400 | 9.90 | 10.1 |
| D | 0.030 | 0.045 | 0.76 | 1.14 |
| E | 0.422 | 0.452 | 10.72 | 11.48 |
| F | 0.805 | 0.820 | 20.45 | 20.83 |
| G | 0.490 | 0.500 | 12.45 | 12.70 |
| H | 0.155 | 0.175 | 3.94 | 4.45 |
| J | 0.120 | 0.130 | 3.05 | 3.30 |
| K | 0.022 | 0.026 | 0.559 | 0.660 |
| N | 10-32 UNF-2A | | | |
| C _{GND} = 1.1 pF | | C _P = 0.75 pF | | L _S = 3 nH |