

Cascadable Amplifier 10 to 500 MHz

Rev. V1

Features

- HIGH GAIN: 27.5 dB (TYP.)
- LOW NOISE: 3.5 dB (TYP.)
- HIGH OUTPUT POWER: +22 dBm (TYP.)

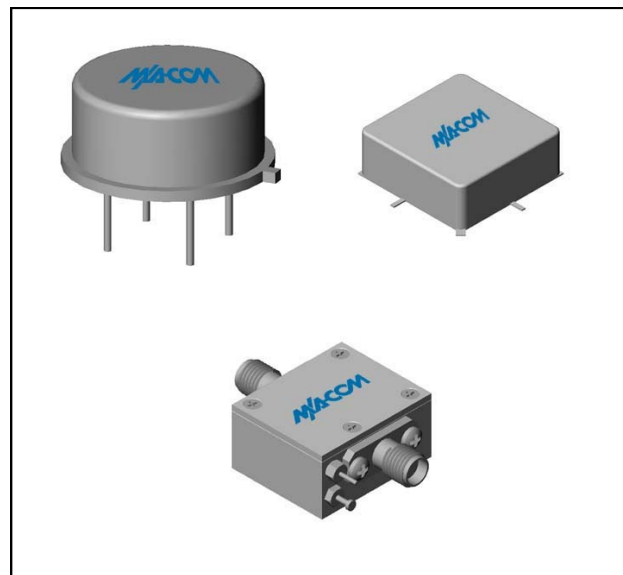
Description

The A515 RF amplifier is a discrete hybrid design, which uses thin film manufacturing processes for accurate performance and high reliability.

This 2 stage bipolar transistor feedback amplifier design displays impressive performance characteristics over a broadband frequency range. An active DC biasing network insures temperature-stable performance.

Both TO-8 and Surface Mount packages are hermetically sealed, and MIL-STD-883 environmental screening is available.

Product Image



Ordering Information

Part Number	Package
A515	TO-8
SMA515	Surface Mount
CA515	SMA Connectorized

Electrical Specifications: $Z_0 = 50\Omega$, $V_{CC} = +15 V_{DC}$

Parameter	Units	Typical	Guaranteed	
		25°C	0° to 50°C	-54° to +85°C*
Frequency	MHz	3-600	5-500	5-500
Small Signal Gain (min)	dB	27.5	26.5	26.0
Gain Flatness (max)	dB	±0.3	±0.5	±0.8
Reverse Isolation	dB	36		
Noise Figure (max)	dB	3.5	4.5	5.0
Power Output @ 1 dB comp. (min)	dBm	22.0	20.5	20.0
IP3	dBm	+33		
IP2	dBm	+44		
Second Order Harmonic IP	dBm	+50		
VSWR Input / Output (max)		1.4:1 / 1.4:1	1.7:1 / 1.7:1	1.8:1 / 1.8:1
DC Current @ 15 Volts (max)	mA	127	135	140

Absolute Maximum Ratings

Parameter	Absolute Maximum
Storage Temperature	-62°C to +125°C
Case Temperature	+110°C
DC Voltage	+17 V
Continuous Input Power	+13 dBm
Short Term Input power (1 minute max.)	50 mW
Peak Power (3 µsec max.)	0.5 W
"S" Series Burn-In Temperature (case)	+125°C

Thermal Data: $V_{CC} = +15 V_{DC}$

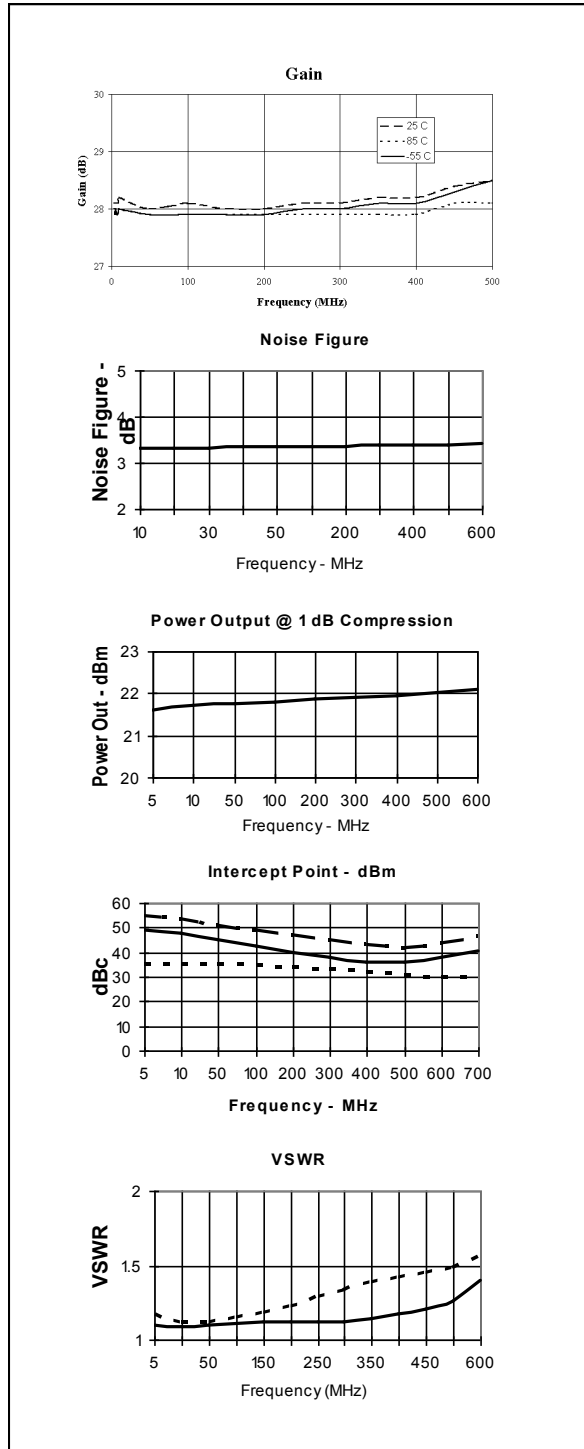
Parameter	Rating
Thermal Resistance θ_{jc}	150°C/W
Transistor Power Dissipation P_d	0.36W
Junction Temperature Rise Above Case T_{jc}	+55°C

1 * Over temperature performance limits for part number CA515, guaranteed from 0°C to +50°C only.

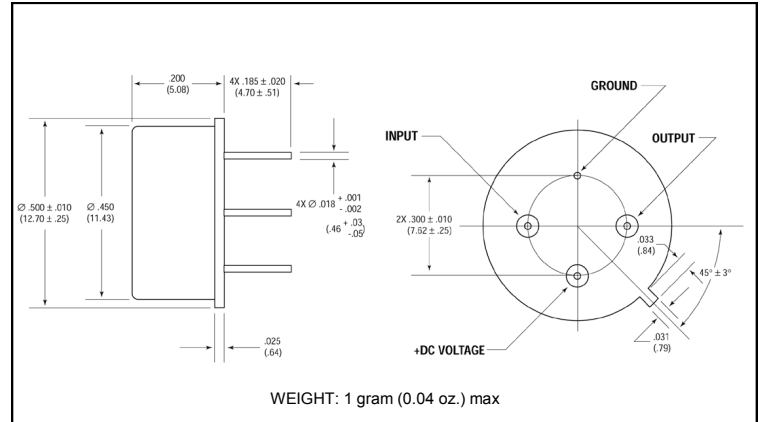
Cascadable Amplifier 10 to 500 MHz

Rev. V1

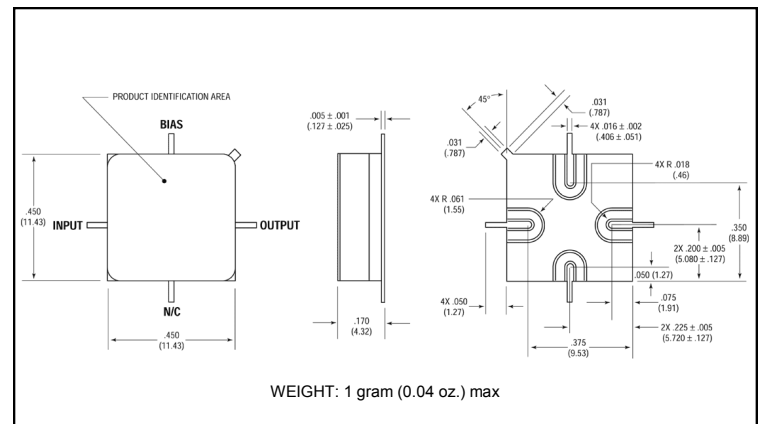
Typical Performance Curves @ +25°C



Outline Drawing: TO-8 *



Outline Drawing: Surface Mount *



Outline Drawing: SMA Connectorized *

