

Broadband CATV 4-Way Active Splitter with Default Loop-Through Switch 50 - 1100 MHz

Rev. V1

Features

- Always ON loop-through path
- 4-Way Splitter
- 2.5 dB Gain
- +15 dBmV/Channel Input
- 4.5 dB Noise Figure
- Lead-Free 3 mm 12-Lead PQFN Package
- RoHS* Compliant and 260°C Reflow Compatible

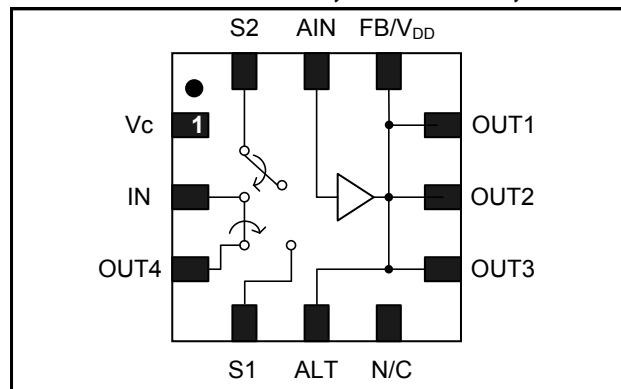
Description

The MAAM-009778 CATV 4-way active splitter with the default loop-through path is a GaAs MMIC which exhibits low noise figure and distortion in a lead-free 3 mm 12-lead PQFN plastic package. The design features 75 Ω inputs and outputs.

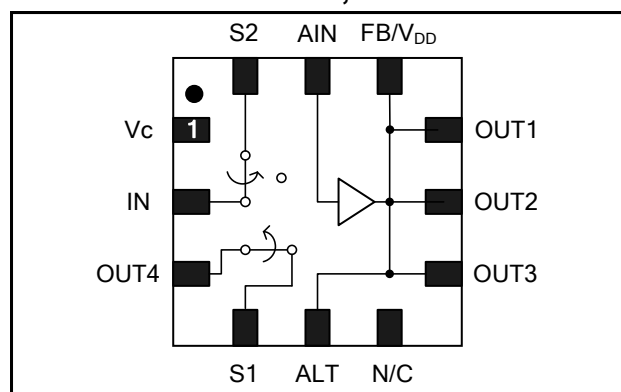
The MAAM-009778 is ideally suited for multi-tuner set top boxes, home gateways, and other broadband internet based applications.

The MAAM-009778 is fabricated using M/A-COM Technology Solutions' E/D pHEMT process to realize default loop-through operation, low noise and low distortion. The process features full passivation for robust performance and reliability.

Functional Schematic, Default On, Power Off



Functional Schematic, Power On



Ordering Information ^{1,2}

Part Number	Package
MAAM-009778-TR1000	1000 piece reel
MAAM-009778-TR3000	3000 piece reel
MAAM-009778-001SMB	Sample Test Board

1. Reference Application Note M513 for reel size information.
2. All sample boards include 5 loose parts.

Pin Configuration

Pin No.	Pin Name	Description
1	V _c	Voltage Control
2	IN	RF Input
3	OUT4	RF Output 4
4	S1	Switch Input
5	ALT	Alternate Output
6	N/C	No Connection
7	OUT3	RF Output 3
8	OUT2	RF Output 2
9	OUT1	RF Output 1
10	FB/V _{DD}	Amplifier Feedback / Drain Voltage
11	AIN	Amplifier Input
12	S2	Switch Output
13	Paddle ³	RF and DC Ground

3. The exposed pad centered on the package bottom must be connected to RF and DC ground.

* Restrictions on Hazardous Substances, European Union Directive 2002/95/EC.

Broadband CATV 4-Way Active Splitter with Default Loop-Through Switch 50 - 1100 MHz

Rev. V1

Electrical Specifications⁴: Freq. = 1000 MHz, T_A = 25°C, Z₀ = 75 Ω

Parameter	Test Conditions	V _{DD} (V)	V _C (V)	Units	Min.	Typ.	Max.
Gain	In to Out1, 2, or 3 In to Out4	5	3.3	dB	2 1.8	2.5 2.5	4.5 4.5
Insertion Loss	In to Out4	0	0	dB	-	0.75	1.0
Noise Figure	In to Out1, 2, 3, or 4	5	3.3	dB	-	4.5	-
Gain Flatness	In to Out1, 2, 3, or 4	5	3.3	dB	-	0.8	-
Input Return Loss	Input	5	3.3	dB	-	12	-
Input Return Loss	Input	0	0	dB	-	12	-
Output Return Loss	Output	5	3.3	dB	-	10	-
Output Return Loss	Output	0	0	dB	-	10	-
Out to Out Isolation	Out1 to Out2, 3 or 4	5	3.3	dB	-	22	-
Out to Out Isolation	Out1 to Out2 or 3	0	0	dB	-	35	-
CTB	132 Channels, +15 dBmV/Channel at the input	5	3.3	dBc	-	-65	-
CSO	132 Channels, +15 dBmV/Channel at the input	5	3.3	dBc	-	-60	-
Reverse Isolation	Out1, 2, 3 to In	5	3.3	dB	-	31	-
Reverse Isolation	Out4 to In	5	3.3	dB	-	23	-
Reverse Isolation	Out1, 2, 3 to In	0	0	dB	-	45	-
OIP2	500 MHz, 2-tone, 6 MHz spacing, -10 dBm Pout	5	3.3/0	dBm	-	42	-
OIP3	500 MHz, 2-tone, 6 MHz spacing, -10 dBm Pout	5	3.3/0	dBm	-	22	-
P1dB	500 MHz	5	3.3	dBm	-	6	-
P1dB	500 MHz	5	0	dBm	-	25	-
I _{DD}		5	3.3	mA	-	100	130
I _C		5	3.3	μA	-	230	250

4. The unpowered state is the same as V_C = 0V

Broadband CATV 4-Way Active Splitter with Default Loop-Through Switch 50 - 1100 MHz

Rev. V1

Absolute Maximum Ratings^{5,6,7}

Parameter	Absolute Maximum
Max Input Power	+5 dBm
V _{DD}	+10.0 V
V _C	+8.5 V
Operating Temperature	-40°C to +85°C
Junction Temperature ⁸	+150°C
Storage Temperature	-65°C to +150°C

5. Exceeding any one or combination of these limits may cause permanent damage to this device.
6. M/A-COM Technology Solutions does not recommend sustained operation near these survivability limits.
7. These operating conditions will ensure MTTF > 1 x 10⁶ hours.
8. Junction Temperature (T_J) = T_A + Θ_{jc} * (V * I)
Typical thermal resistance (Θ_{jc}) = 73 °C/W.
 - a) For T_A = 25°C,
T_J = 72 °C @ 5.0 V, 130 mA
 - b) For T_A = 85°C,
T_J = 129 °C @ 5.0 V, 120 mA

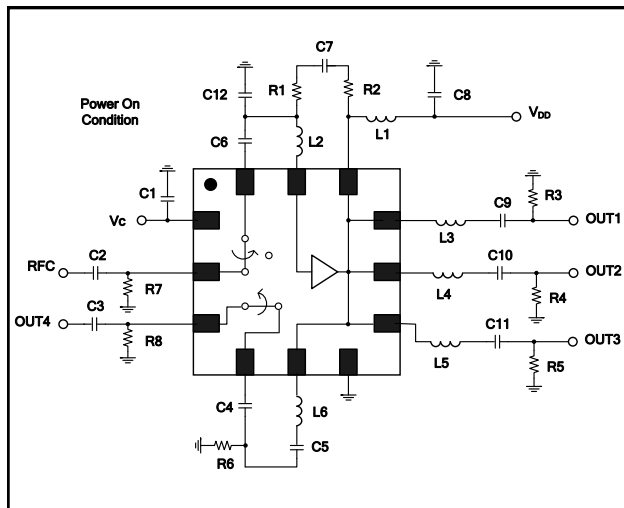
Truth Table⁹

V _{DD}	V _C	IN - OUT1, 2 or 3	IN - OUT4
1	1	On	On
0	0	Off	On

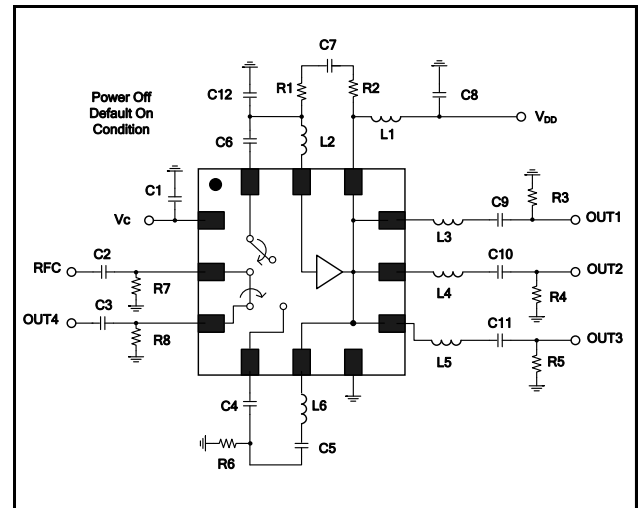
9. Logic "1" for V_{DD} = +5 volts and V_C = +3.3 volts typical.

Schematics Including Off-Chip Components¹⁰

Power On Condition



Power Off, Default on Condition

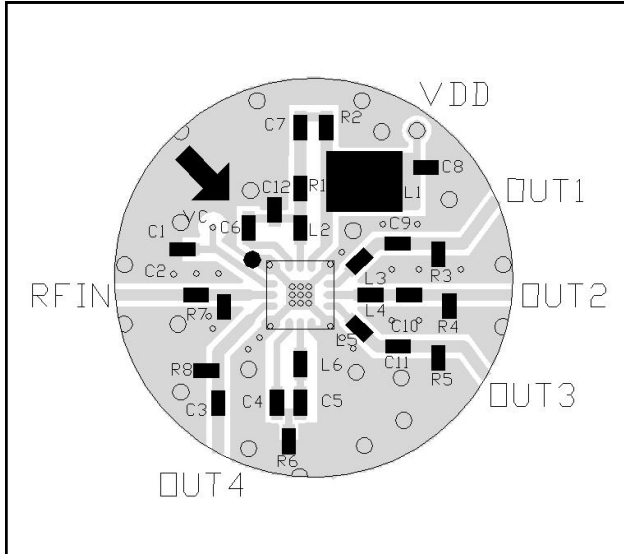


10. The exposed pad centered on the package bottom must be connected to ground for RF, DC and thermal considerations.

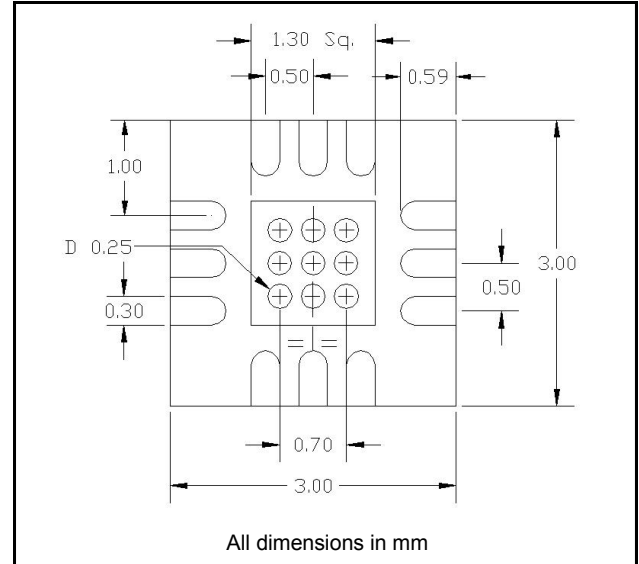
Broadband CATV 4-Way Active Splitter with Default Loop-Through Switch 50 - 1100 MHz

Rev. V1

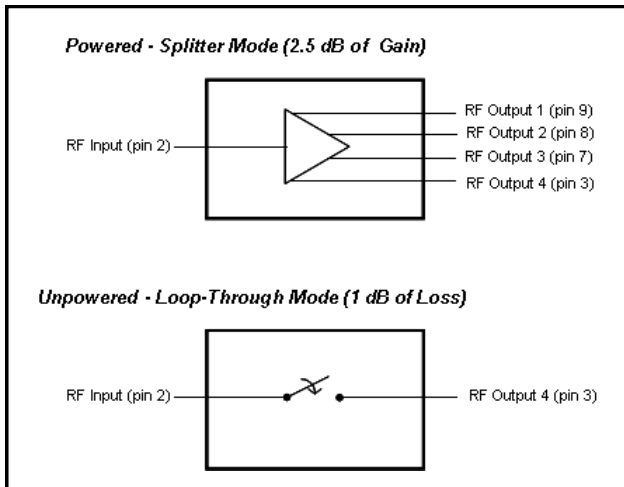
Recommended PCB



PCB Land Pattern



Block Diagram RF Signal Flow



Off-Chip Component Values

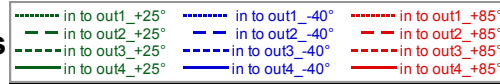
Component	Value	Package
C1 - C11	0.01 μ F	0402
C12	1.0 pF	0402
L1 ¹¹	1 μ H	1210
L2 - L6	7.5 nH	0402
R1, R2	300 Ω	0402
R3 - R5	180 Ω	0402
R6	250 Ω	0402
R7, R8	22 K Ω	0402

11. L1 supplied from EPCOS, part number B82422A1102K100

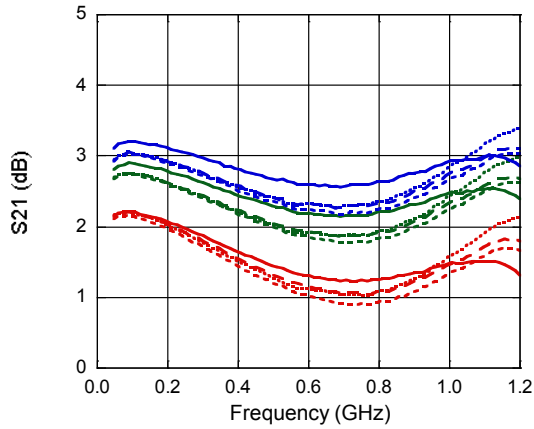
Broadband CATV 4-Way Active Splitter with Default Loop-Through Switch 50 - 1100 MHz

Rev. V1

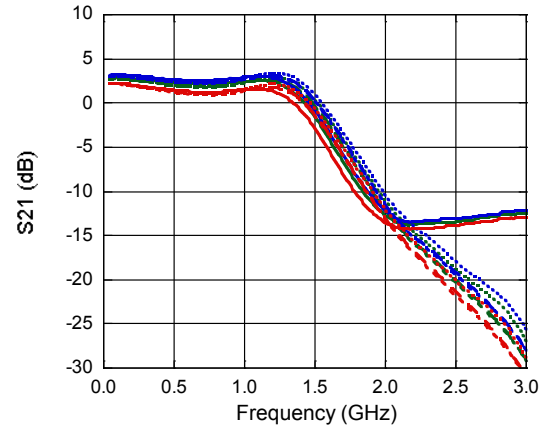
Typical Performance Curves



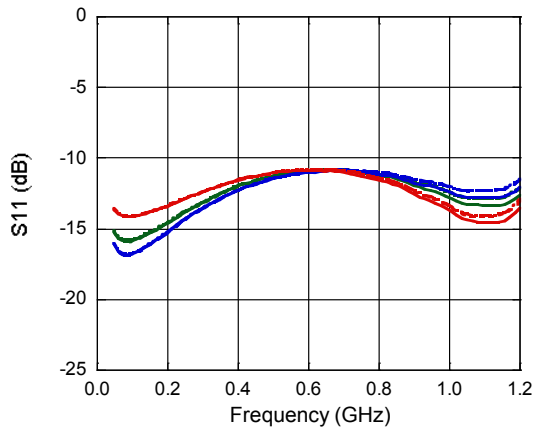
Gain



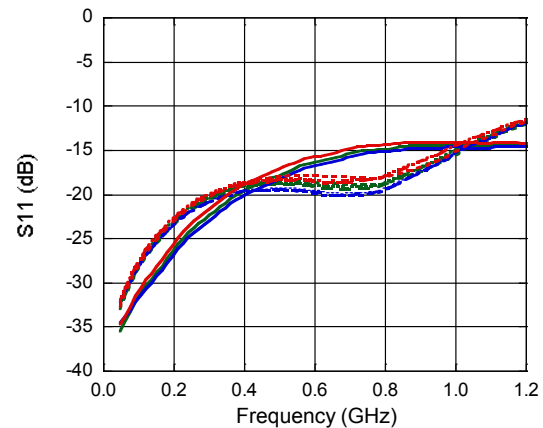
Gain



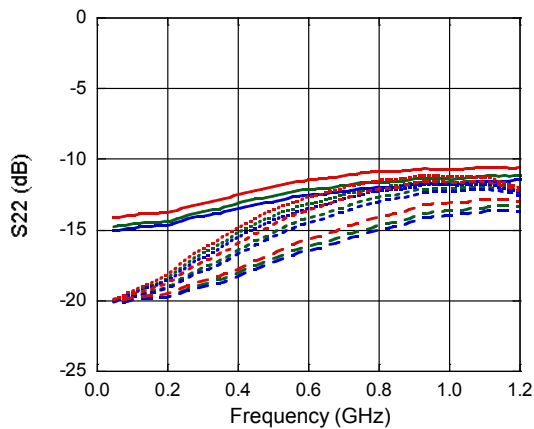
Input Return Loss (power on)



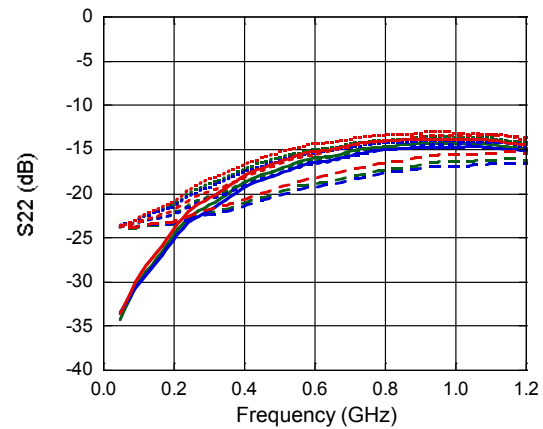
Input Return Loss (power off)



Output Return Loss (power on)



Output Return Loss (power off)

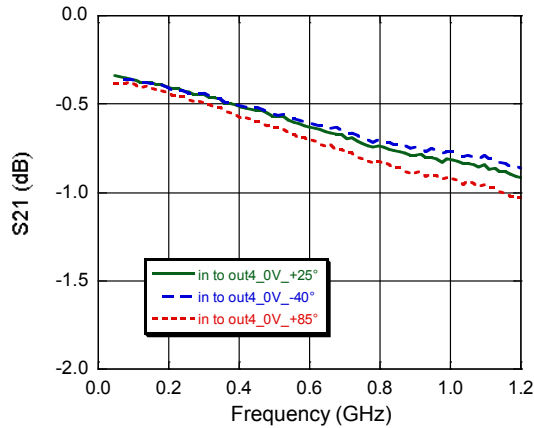


Broadband CATV 4-Way Active Splitter with Default Loop-Through Switch 50 - 1100 MHz

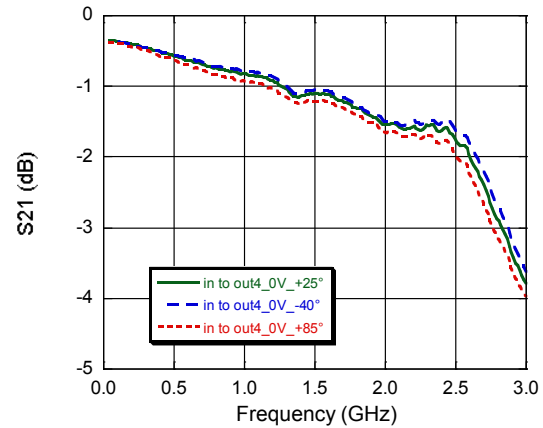
Rev. V1

Typical Performance Curves

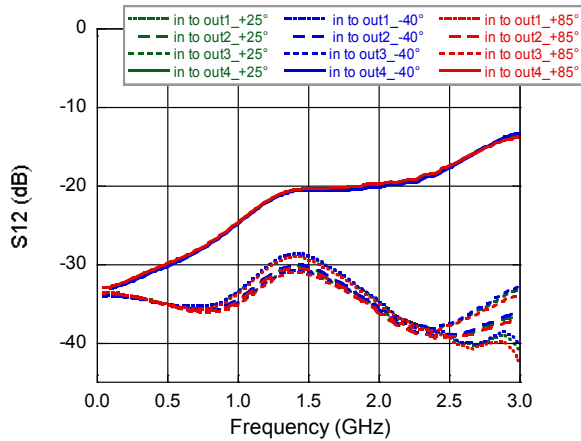
Insertion Loss to 1 GHz (power off)



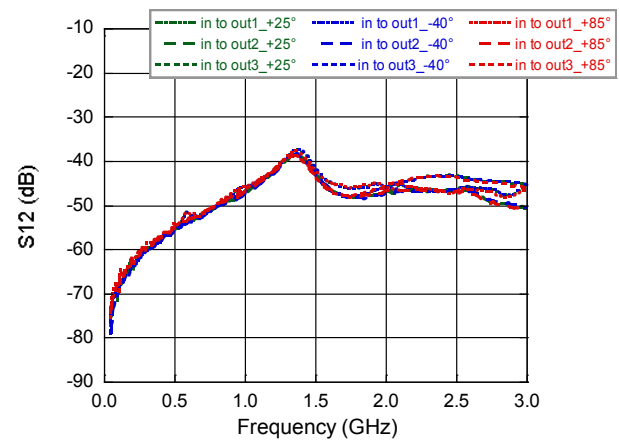
Insertion Loss to 3 GHz (power off)



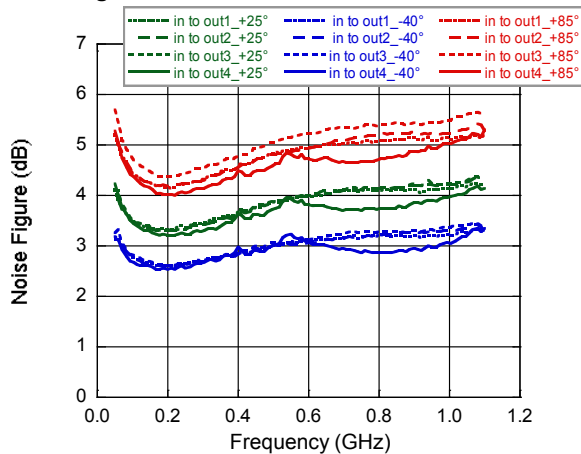
Reverse Isolation to 3 GHz (power on)



Reverse Isolation to 3 GHz (power off)



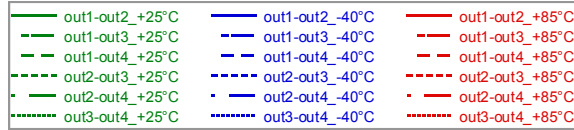
Noise Figure



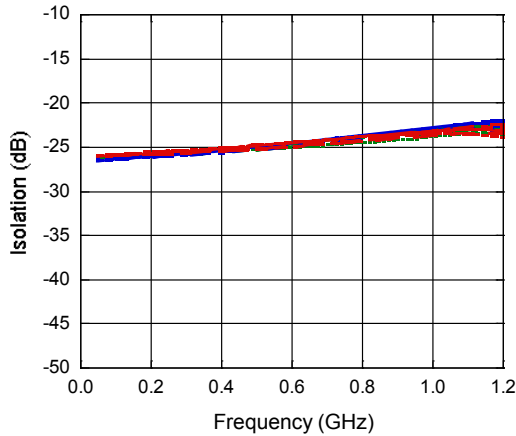
Broadband CATV 4-Way Active Splitter with Default Loop-Through Switch 50 - 1100 MHz

Rev. V1

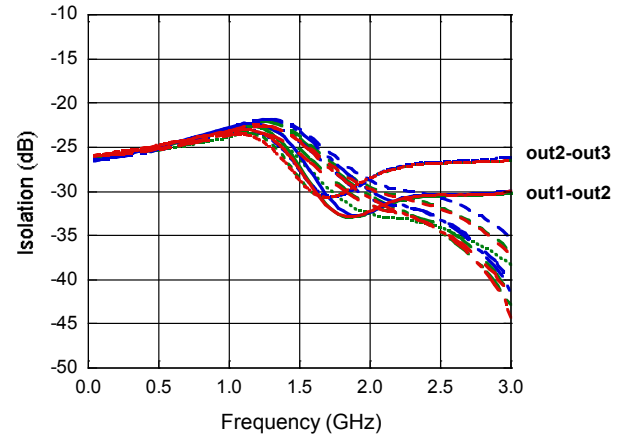
Typical Performance Curves



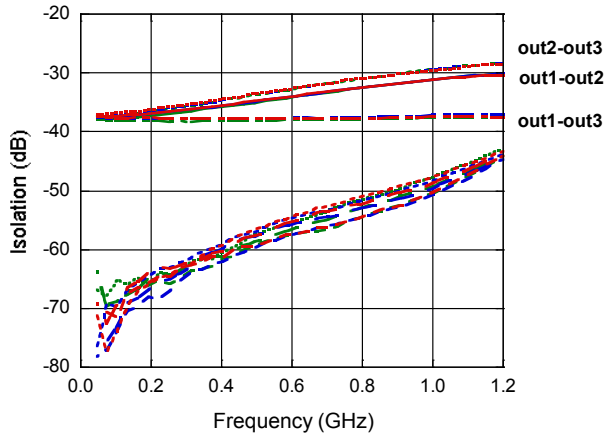
Out to Out Isolation to 1 GHz (power on)



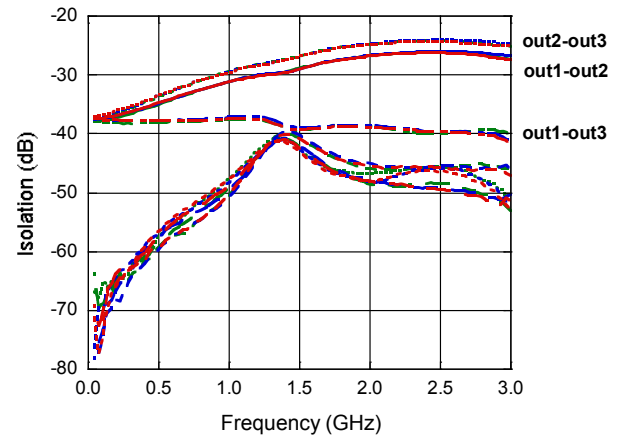
Out to Out Isolation to 3 GHz (power on)



Out to Out Isolation to 1 GHz (power off)



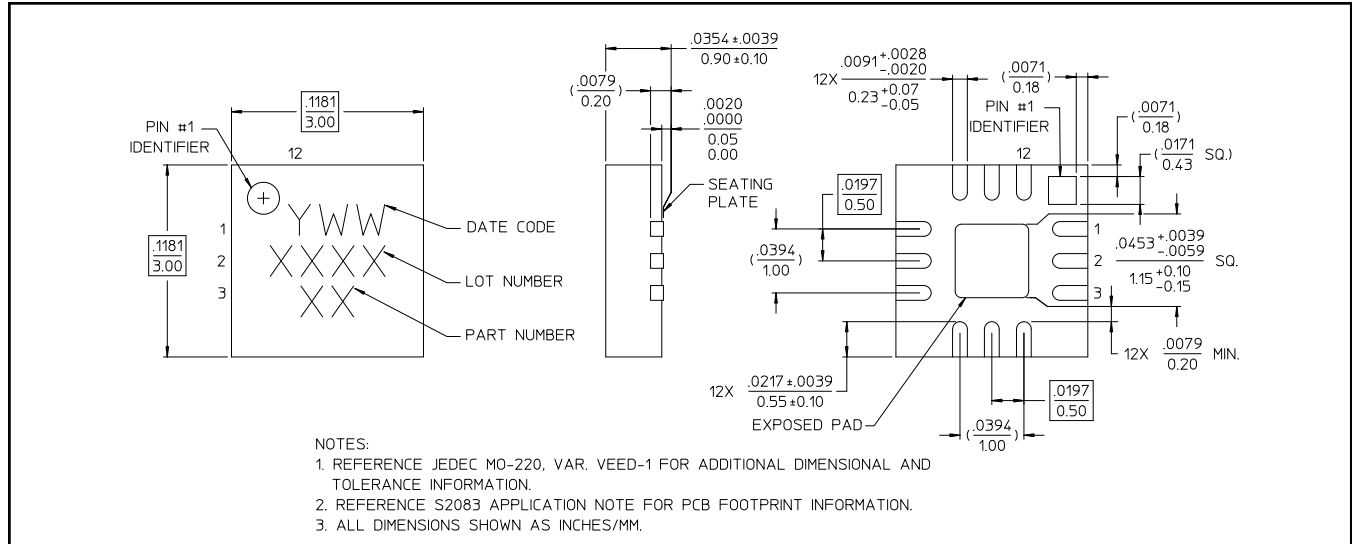
Out to Out Isolation to 3 GHz (power off)



Broadband CATV 4-Way Active Splitter with Default Loop-Through Switch 50 - 1100 MHz

Rev. V1

Lead-Free 3 mm 12-Lead PQFN[†]



[†] Reference Application Note S2083 for lead-free solder reflow recommendations.
 Meets JEDEC moisture sensitivity level 1 requirements.
 Plating is 100% matte tin over copper.

Handling Procedures

Please observe the following precautions to avoid damage:

Static Sensitivity

Gallium Arsenide Integrated Circuits are sensitive to electrostatic discharge (ESD) and can be damaged by static electricity. Proper ESD control techniques should be used when handling these devices. An external protection circuit using an anti-parallel diode pair can be used to protect the IC.

Please reference application note AN3028 on <http://www.macomtech.com> for further detail.